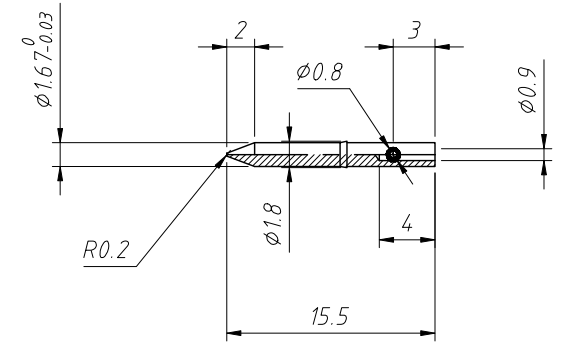
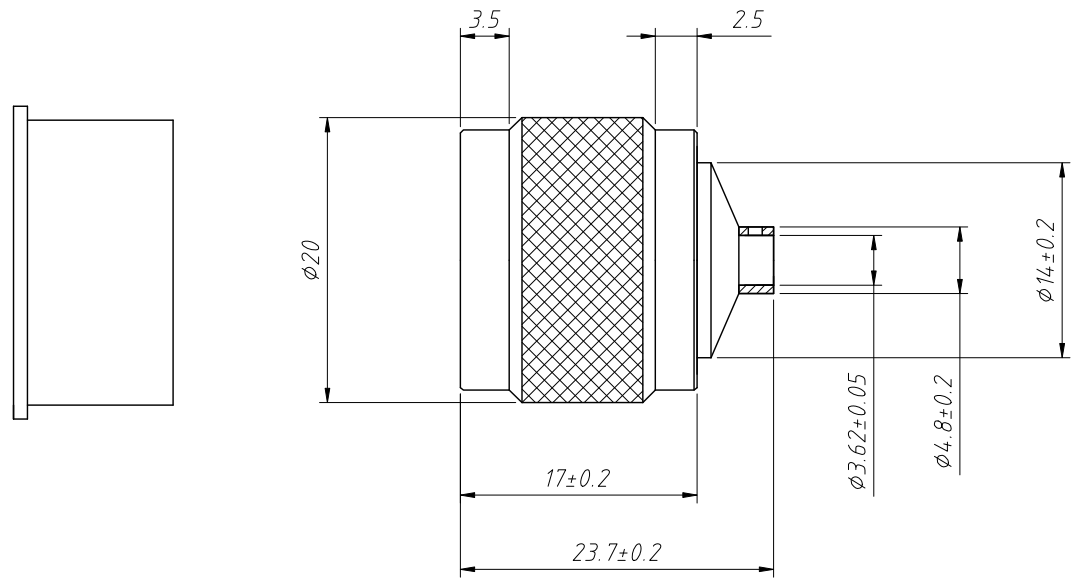
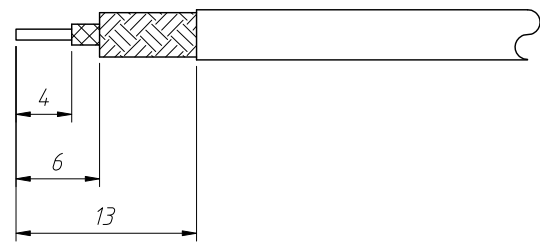


1  
RoHS Compliance



Material:  
 Contacts: Brass  
 Shell: Inner conductor gold-plated,  
 Surface gold-plated  
 Other Metal Parts: Nickel plating

Electrical Specifications  
 Impedance: 50Ω  
 Insulation resistance: 5000MΩ  
 Frequency Range: 0-6 GHz  
 Voltage Rating: 400V  
 Dielectric Withstanding Voltage: 2500 volts rms  
 Temperature Range: -65°C to +165°C  
 Durability: >500 Cycles



Order Information:  
 L-KLS1-N001-RG402  
 L: RoHS  
 N Type Connector Type  
 Adapter cable: RG402

ANGLE TOLERANCE	PROJECTION	Description:	N Connectors	
±3°				
GENERAL TOLERANCE	UNITS	mm	KLS P/N:	L-KLS1-N001-RG402
x.x ±0.30	SHEET SIZE	A4		
x.xx ±0.20	Draw:	Daniel	2022-03-04	NingBo KLS ELECTRONIC CO.,L.TD.
x.xxx ±0.10	Check:	Daniel	2022-03-04	