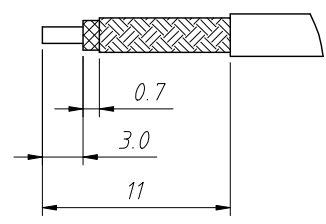
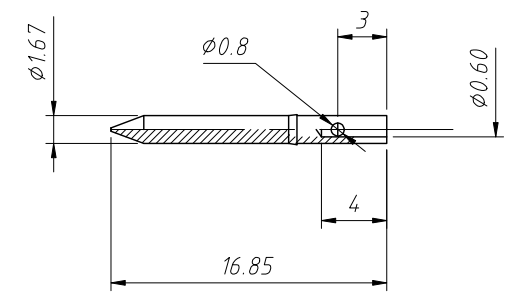
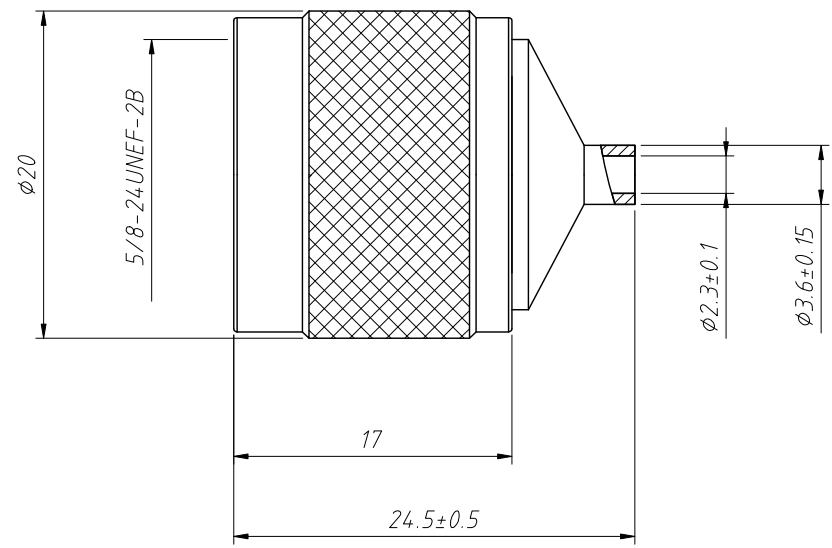


1  
RoHS Compliance

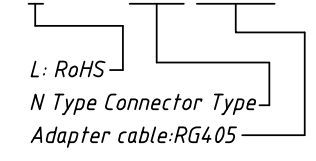


Material:  
 Contacts: Brass  
 Shell: Inner conductor gold-plated,  
 Surface gold-plated  
 Other Metal Parts: Nickel plating

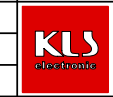
Electrical Specifications  
 Impedance: 50Ω  
 Durability: >500 Cycles

Salt fog for 48 hours

Order Information:  
 L-KLS1-N001-RG405



ANGLE TOLERANCE	PROJECTION	Description:	
±3°		N Connectors	
GENERAL TOLERANCE	UNITS	mm	KLS P/N:
x.x ±0.30	SHEET SIZE	A4	L-KLS1-N001-RG405
x.xx ±0.20	Draw:	Daniel	2022-03-04
x.xxx ±0.10	Check:	Daniel	2022-03-04



NingBo KLS ELECTRONIC CO.,LTD.