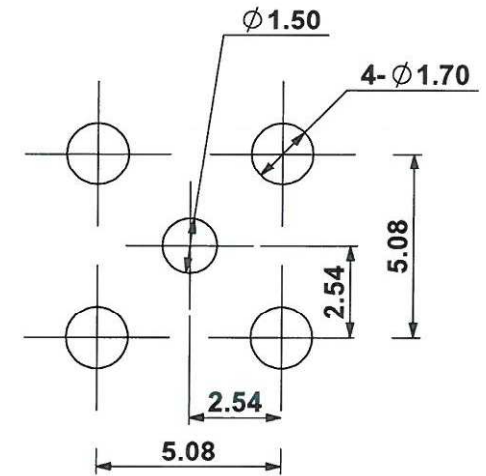
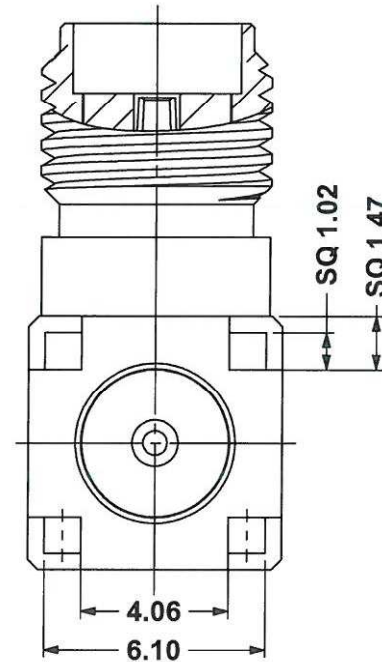
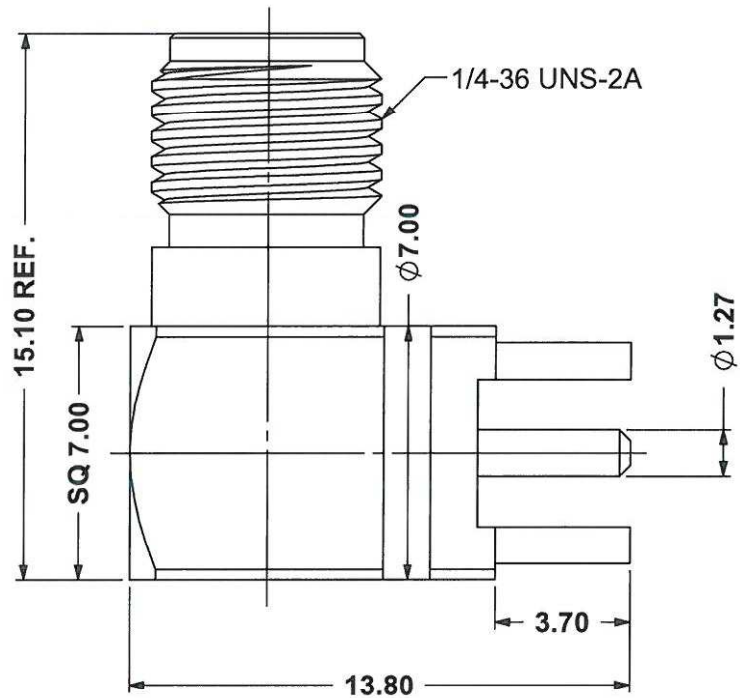


REV.	DESCRIPTION	DRAWN	ECN	DATE
1	PROPOSAL (3009-15176-10058)	Daniel	X	10-30'2015
A	NEW RELEASE (3014-15088-10058)	Daniel	15-319	11-30'2015



RECOMMEND PCB LAYOUT
=====

ELECTRICAL PERFORMANCE:

- 1.Impedance : 50 ohms
- 2.Frequency Range : DC ~ 6 GHz
- 3.Working Voltage : 250 Vrms maximum
- 4.Dielectric Withstanding Voltage : 750 Vrms minimum



DESCRIPTION	MATERIALS	FINISHED	Q'TY
CONTACT	P. BRONZE	GOLD FLASH	1
INSULATOR	TEFLON	NATURAL	1
INSULATOR	TEFLON	NATURAL	1
BODY	BRASS	GOLD FLASH	1
BODY	BRASS	GOLD FLASH	1

RoHS
COMPLIANT
2011/65/EU

UNLESS OTHERWISE SPECIFIED ALL TOLERANCES ARE :

DIMENSION	TOLERANCE	ANGLE	TOLERANCE
INTEGRAL DIMENSIONS	±1.0	ANGULAR DIMENSIONS	±5.0°
1 PLACE DECIMAL	±0.5	HOLES UNDER Ø0.5	±0.1
2 PLACE DECIMALS	±0.25	ROUGHNESS	

	FINISH: SEE TABLE		MATERIAL: SEE TABLE
--	-------------------	--	---------------------

nicon Precise Corp.

DWN BY:	Daniel	DATE:	10-30'2015
CHK BY:	<i>Andy</i>	DATE:	11/30'2015
APVD BY:	<i>[Signature]</i>	DATE:	11/30'2015

TITLE: SMA R/A JACK FOR PCB RECEPTACLE			
Model NO:		22823	
Drawing NO:		12-22823	
UNIT:	MM	SIZE:	A4
SCALE:	5 : 1	SHEET:	1 OF 1
REV.:	A	CAD FILE:	NEW Dwg'228XX