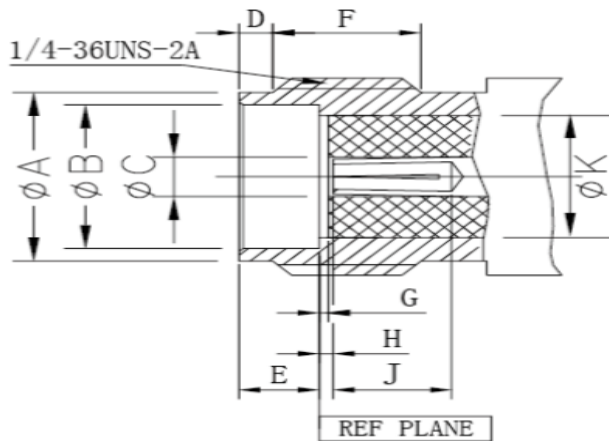


- Part Number: M54FS15F07
- Size information below (please refer to the drawing):
- Size: 12.7 x 4.8mm / 0.500 x 0.190inch Flange Jack
- Receptacle for Pin: $\Phi 0.38\text{mm}$ / 0.015inch



SMA Female				
	mm		Inch	
	Min	Max	Min	Max
A	5.28	5.49	0.208	0.216
B	4.60	4.67	0.1810	0.1837
C	1.27	1.29	0.0500	0.0506
D	0.38	1.14	0.015	0.045
E	1.88	1.98	0.074	0.078
F	3.81	—	0.150	—
G	0.00	0.05	0.000	0.002
H	0.00	0.08	0.000	0.003
J	2.54	—	0.100	—
K	4.10	4.13	0.1615	0.1625

KEY FEATURES

Polarity	Standard
Connector Type	SMA
Connector Gender	Female
Impedance	50 Ω
Body Shape	Straight
Panel Mounting	2 Hole Flange
Attachment Method	Field Replacement
Frequency Range	DC~27GHz

PERFORMANCE FEATURES

VSWR:	DC~18GHz: 1.10:1 (Max)
	18GHz~27GHz: 1.15:1 (Max)
Contact Resistance	Center Conductor $\leq 3.0\text{m}\Omega$
	Outer Conductor $\leq 2.0\text{m}\Omega$
Insulation Resistance	$\geq 5000\text{M}\Omega$
Withstanding Voltage	1000V
Durability	500 Cycles
Operating Temperature	-55 $^{\circ}\text{C}$ ~+165 $^{\circ}\text{C}$

MATERIAL SPECIFICATIONS

Housing	Type 303 Stainless Steel
	Polished & Passivated
Center Contact	Beryllium Copper
	Gold Plated (MIL-G-45204)
Insulator	PTFE & PEI