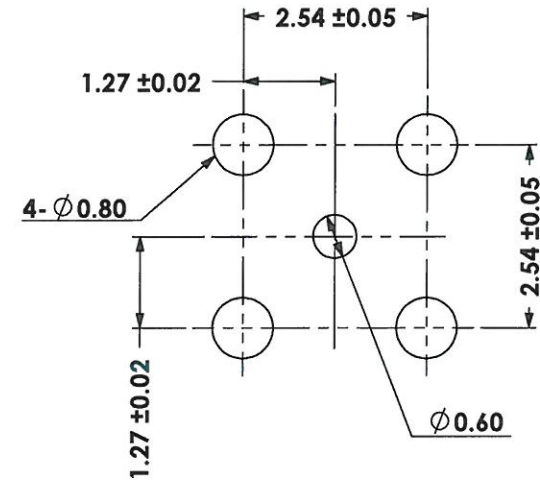
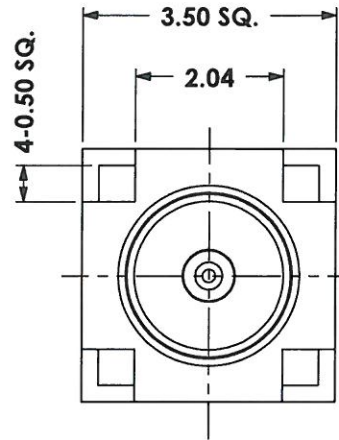
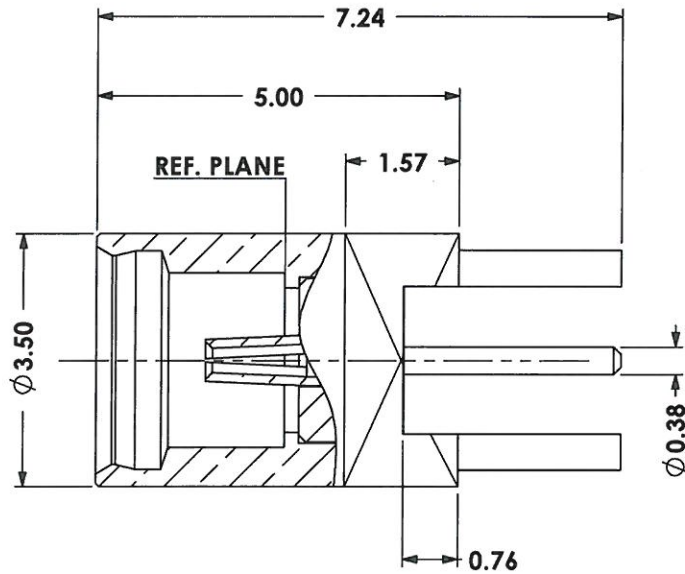
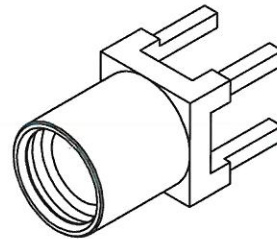


REV.	DESCRIPTION	DRAWN	ECN	DATE
A	NEW RELEASE (3007-14195)	Nick	14-305	07-15'2014



Recommended PCB Hole



ELECTRICAL PERFORMANCE :

1. Impedance : 50 ohms
2. Frequency Range : 0~6GHz
3. Working Voltage : 170 Vrms maximum.
4. Dielectric Withstanding Voltage: 500 Vrms minimum.

Remark:
Package: 100 Pcs/Tray , 4000Pcs/Box

CONTACT	BERYLLIUM-COPPER	GOLD 30u"
INSULATOR	TEFLON	NATURAL
BODY	BRASS	GOLD 4u"
DESCRIPTION	MATERIAL	FINISHED

RoHS
COMPLIANT
2011/65/EU

UNLESS OTHERWISE SPECIFIED ALL TOLERANCES ARE :

DIMENSION		ANGLE	
INTEGRAL DIMENSIONS	±1.0	ANGULAR DIMENSIONS	±5.0°
1 PLACE DECIMAL	±0.5	HOLES UNDER Ø0.5	±0.1
2 PLACE DECIMALS	±0.25	ROUGHNESS	



FINISH: SEE TABLE MATERIAL: SEE TABLE

nicon Precise Corp.

TITLE: MMCX ST. JACK SMT RECEPTACLE

Model NO: 33042-5001

Drawing NO: 12-33042-5001

DRAWN BY: Nick DATE: 07-15'2014

ENGR BY: DATE: 7/16/2014

APVD BY: DATE: 7/21/2014

UNIT: MM SIZE: A4 REV. A
SCALE: 10:1 SHEET 1 OF 1
CAD FILE: New Dwg/33XXX /33042