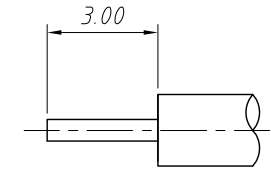
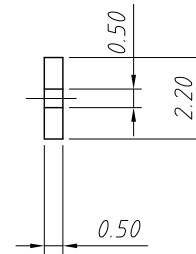
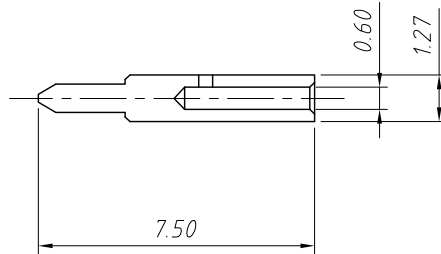
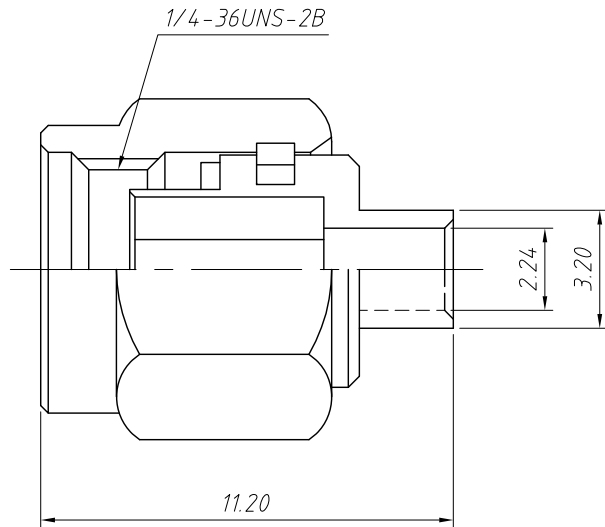


1
RoHS Compliance



RECOMMENDED CABLE STRIPPING DIMENSIONS

Notes:

1. Materials And Finishes:

Body:Brass, Gold Plating

Contact Pin:Brass, Gold Plating

Insulator:Teflon,Natural

Gasket:Silicone,Red

2.Electrical:

Impedance:50ΩM

Frequency Range:DC-18 GHz

Dielectric Withstanding Voltage :1000VRMS,Min.

3.Mechanical:

Durability:500Cycles Min.

Temperature Range:-65°C TO +165°C

ANGLE TOLERANCE	PROJECTION	Description:	SMA Cable Connector Straight (Plug, Male, 50Ω)	
±3°				
GENERAL TOLERANCE	UNITS	mm	KLS P/N:	L-KLS1-SMA004
x.x ±0.30	SHEET SIZE	A4		
x.xx ±0.20	Draw:	Daniel	2020-11-11	NingBo KLS ELECTRONIC CO.,L TD.
x.xxx ±0.10	Check:	Daniel	2020-11-11	