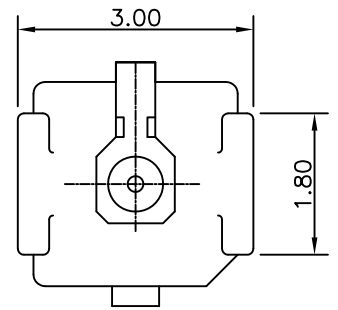
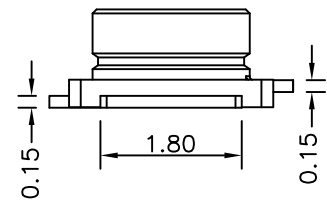
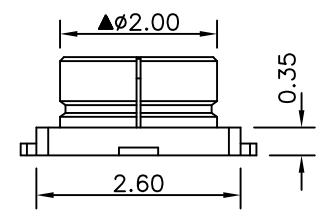


RECOMMENDED PCB LAYOUT



|             |              |            |
|-------------|--------------|------------|
| SHELL       | COPPER ALLOY | GOLD FLASH |
| CONTACT     | COPPER ALLOY | GOLD 5u''  |
| HOUSING     | LCP UL94 V-0 | IVORY      |
| DESCRIPTION | MATERIALS    | FINISHED   |

ELECTRICAL PERFORMANCE :

1. IMPEDANCE : 50 OHMS
2. FREQUENCY RANGE : DC~ 6.0 GHz
3. DIELECTRIC WITHSTANDING VOLTAGE : 200 VRMS MINIMUM

OTHERS:

1. THIS COMPONENT AND ITS HOMOGENEOUS SUB COMPONENTS ARE RoHS COMPLIANT

|   |                         |                     |                            |
|---|-------------------------|---------------------|----------------------------|
| <b>QUALITY SYMBOLS</b><br>MAJOR Ⓢ<br>CRITICAL Ⓢ<br><b>GENERAL TOLERANCES</b><br>( UNLESS SPECIFIED )<br>X. ±1.0<br>.X ±0.5<br>.XX ±0.25<br>ANGLES ±5° | DRAWN BY<br>Ken Kan     | DATE<br>2019/04/09  | <b>Nicon Precise Corp.</b> |
|   | CHECKED BY<br>John Chu  | DATE<br>2019/04/09  |                            |
|   | APPROVED BY<br>John Chu | DATE<br>2019/04/09  | RFG NO.<br>---             |
|   | UNITS<br>mm             |                     | SIZE<br>A4                 |
|   | SCALE<br>10 : 1         | SHEET NO.<br>1 OF 1 | PART NO.<br>39801          |
|   |                         |                     | DWG NO.<br>12-39801        |