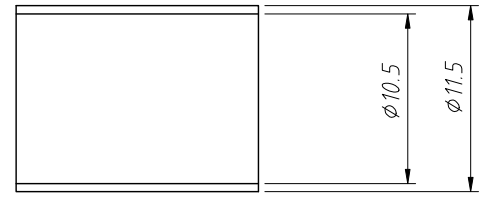
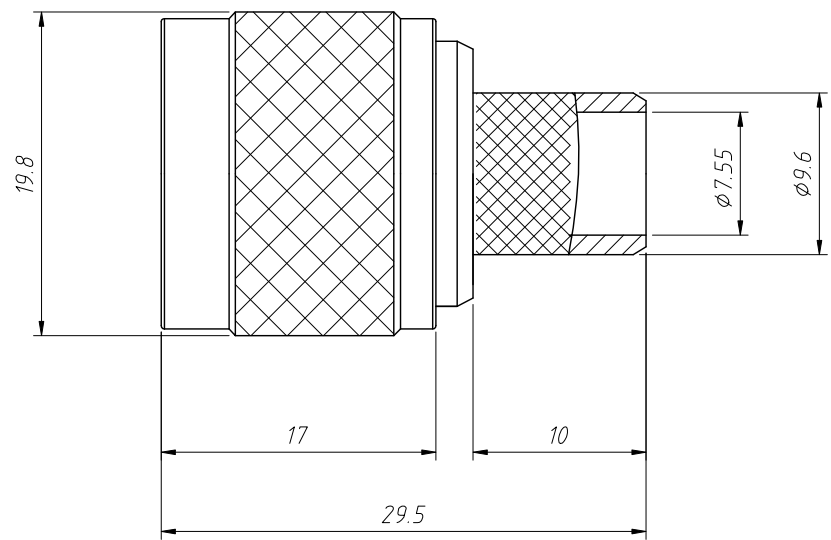


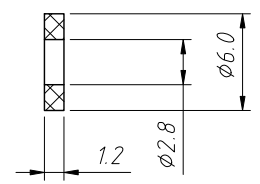
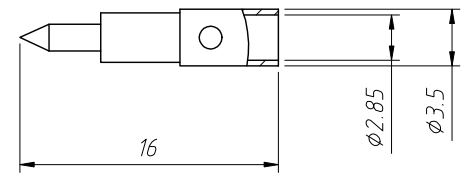
1  
RoHS Compliance



Material:  
Contacts: Brass  
Surface plating ternary alloy

Electrical Specifications  
Impedance: 50Ω  
Frequency Range: 0-3 GHz  
Durability: >500 Cycles

Salt fog for 240 hours



Order Information:  
L-KLS1-N001-LMR400

L: RoHS  
N Type Connector Type  
Adapter cable: LMR400

ANGLE TOLERANCE	PROJECTION	Description:	N Connectors	
±3°				
GENERAL TOLERANCE	UNITS	mm	KLS P/N:	L-KLS1-N001-LMR400
x.x ±0.30	SHEET SIZE	A4		
x.xx ±0.20	Draw:	Daniel	2022-03-04	NingBo KLS ELECTRONIC CO.,L TD.
x.xxx ±0.10	Check:	Daniel	2022-03-04	