

coding possibility No. 1

contact insert
bracket left

contact insert
bracket right

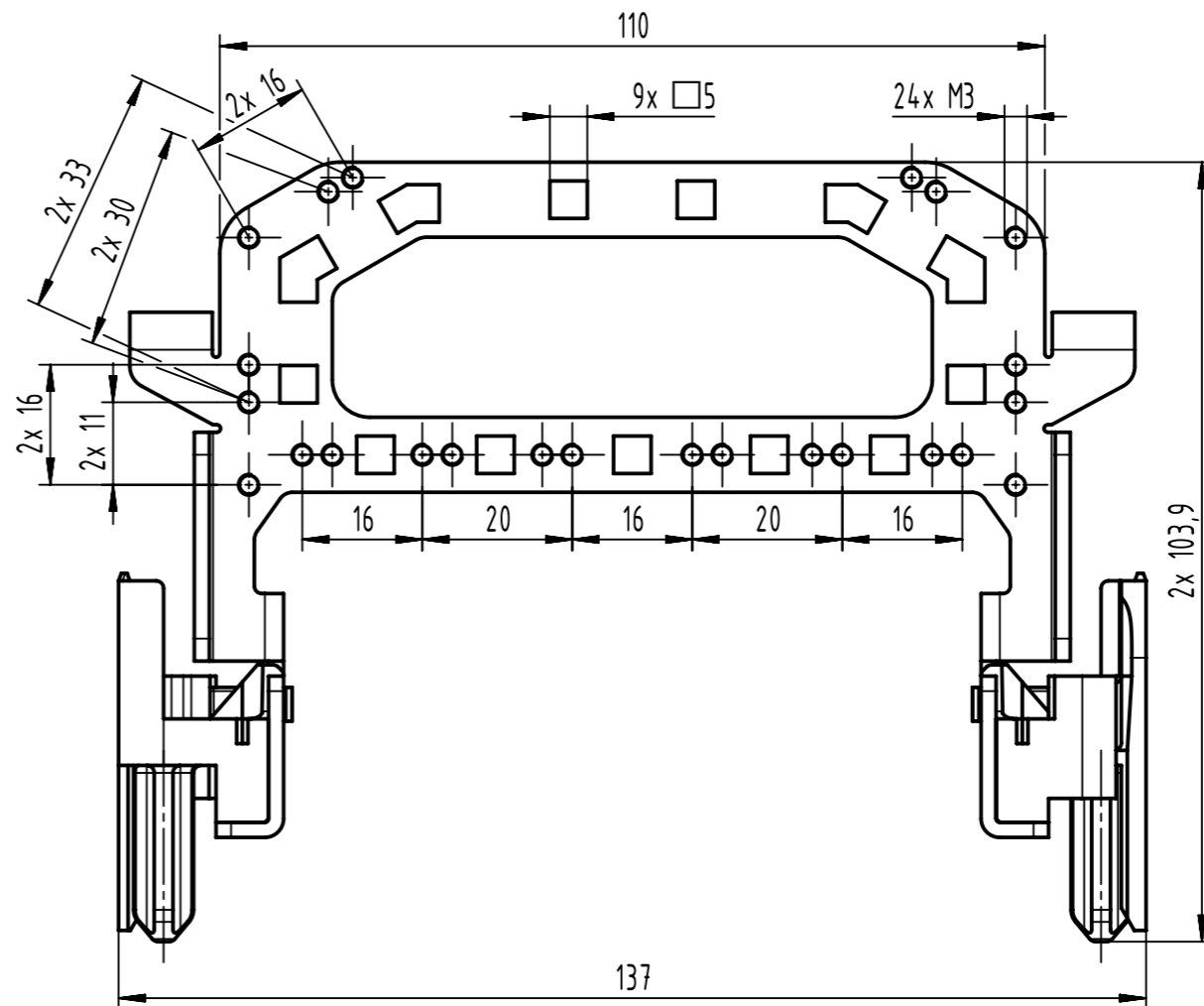
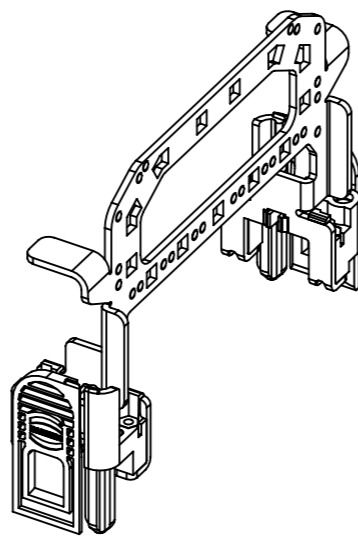
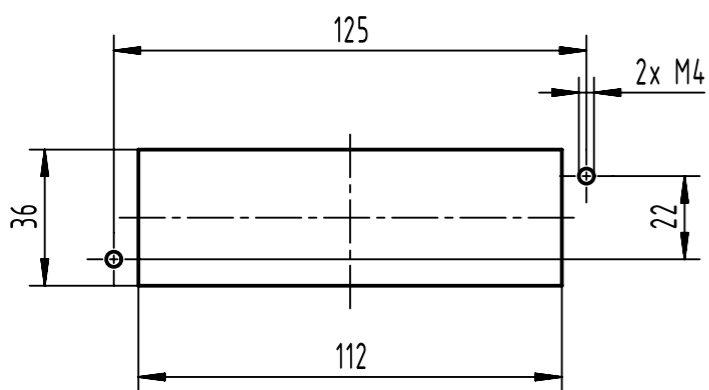
wall bracket
left

wall bracket
right

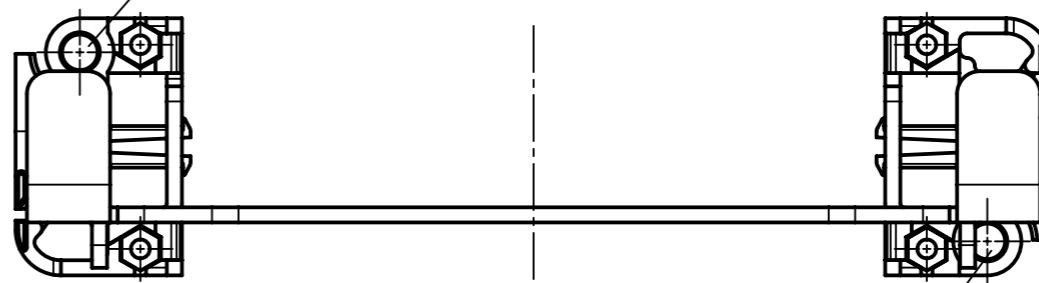
① are not included in the
scope of delivery

Suitable wall brackets:
09 00 000 5614
09 00 000 5616

panel cut out (1:2)

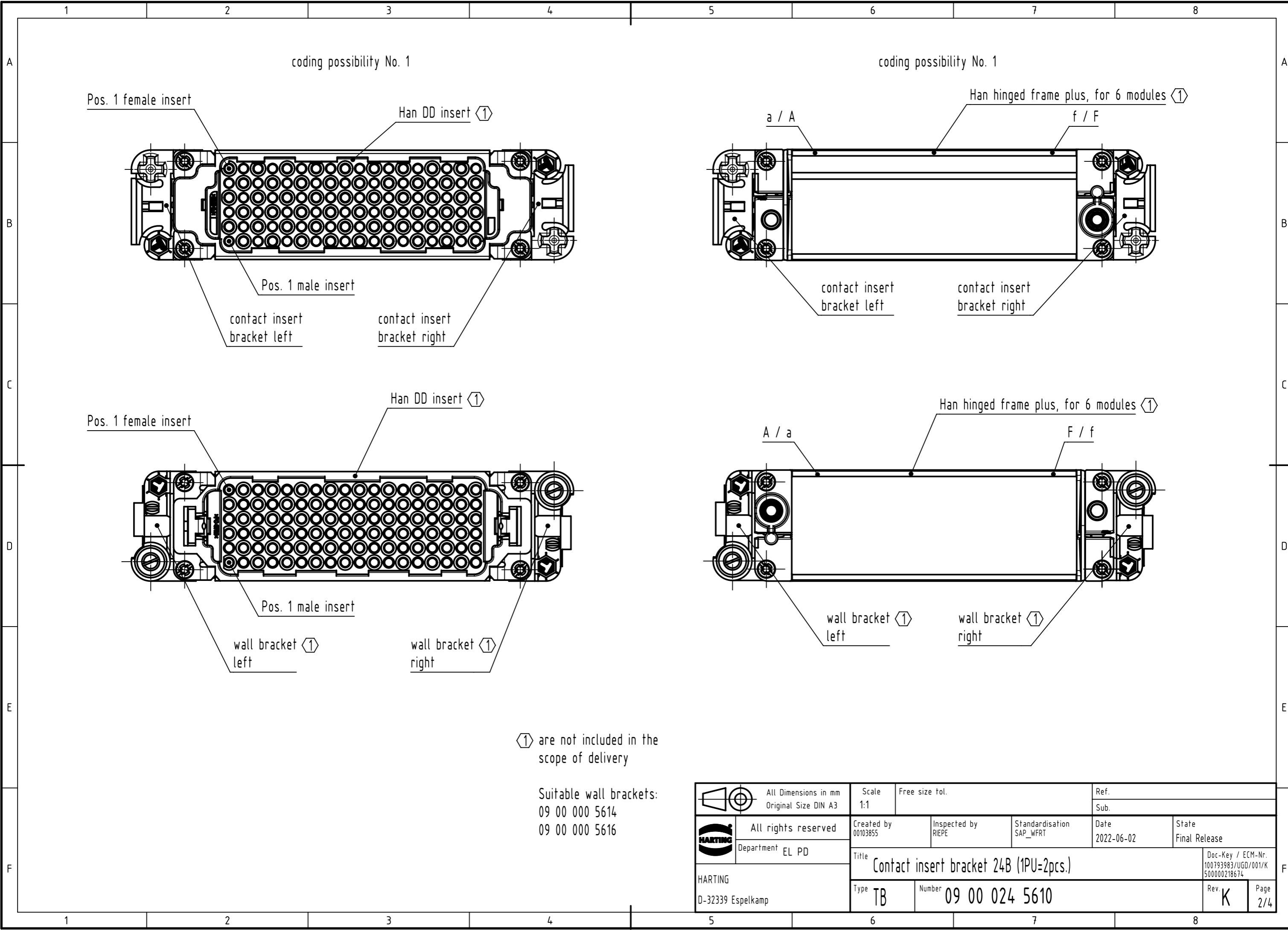


Position for coding pin
09 12 000 9901



Position for coding pin
09 12 000 9901

	All Dimensions in mm Original Size DIN A3		Scale 1:1	Free size tol.		Ref.	
	All rights reserved Department EL PD		Created by 00103855	Inspected by RIEPE	Standardisation SAP_WFRT	Date 2022-06-02	State Final Release
HARTING D-32339 Espelkamp		Title Contact insert bracket 24B (1PU=2pcs.)				Doc-Key / ECM-Nr. 100793983/UGD/001/K 500000218674	
		Type TB	Number 09 00 024 5610			Rev. K	Page 1/4



① are not included in the scope of delivery

Suitable wall brackets:
09 00 000 5614
09 00 000 5616

	All Dimensions in mm Original Size DIN A3		Scale 1:1	Free size tol.		Ref.	
	All rights reserved		Created by 00103855	Inspected by RIEPE	Standardisation SAP_WFRT	Date 2022-06-02	State Final Release
Department EL PD		Title Contact insert bracket 24B (1PU=2pcs.)				Doc-Key / ECM-Nr. 100793983/UGD/001/K 50000218674	
HARTING D-32339 Espelkamp		Type TB	Number 09 00 024 5610			Rev. K	Page 2/4

1 2 3 4 5 6

A

B

C

D

No. 1	left	right	No. 7	left	right	No. 13	left	right
contact insert bracket			contact insert bracket			contact insert bracket		
wall bracket			wall bracket			wall bracket		
No. 2	left	right	No. 8	left	right	No. 14	left	right
contact insert bracket			contact insert bracket			contact insert bracket		
wall bracket			wall bracket			wall bracket		
No. 3	left	right	No. 9	left	right	No. 15	left	right
contact insert bracket			contact insert bracket			contact insert bracket		
wall bracket			wall bracket			wall bracket		
No. 4	left	right	No. 10	left	right	No. 16	left	right
contact insert bracket			contact insert bracket			contact insert bracket		
wall bracket			wall bracket			wall bracket		
No. 5	left	right	No. 11	left	right	No. 17	left	right
contact insert bracket			contact insert bracket			contact insert bracket		
wall bracket			wall bracket			wall bracket		
No. 6	left	right	No. 12	left	right	No. 18	left	right
contact insert bracket			contact insert bracket			contact insert bracket		
wall bracket			wall bracket			wall bracket		

In total 36 coding possibilities
coding possibilities
6 options on each side:

	All Dimensions in mm Original Size DIN A4		Scale 1:1	Free size tol.		Ref.		
			Created by 00103855	Inspected by RIEPE	Standardisation SAP_WFRT	Date 2022-06-02	State Final Release	
		All rights reserved Department EL PD	Title Contact insert bracket 24B (1PU=2pcs.)				Doc-Key / ECM-Nr. 100793983/UGD/001/K 500000218674	
		HARTING D-32339 Espelkamp	Type TB	Number 09 00 024 5610			Rev. K	Page 3/4

