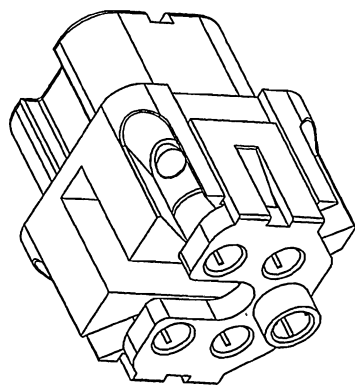
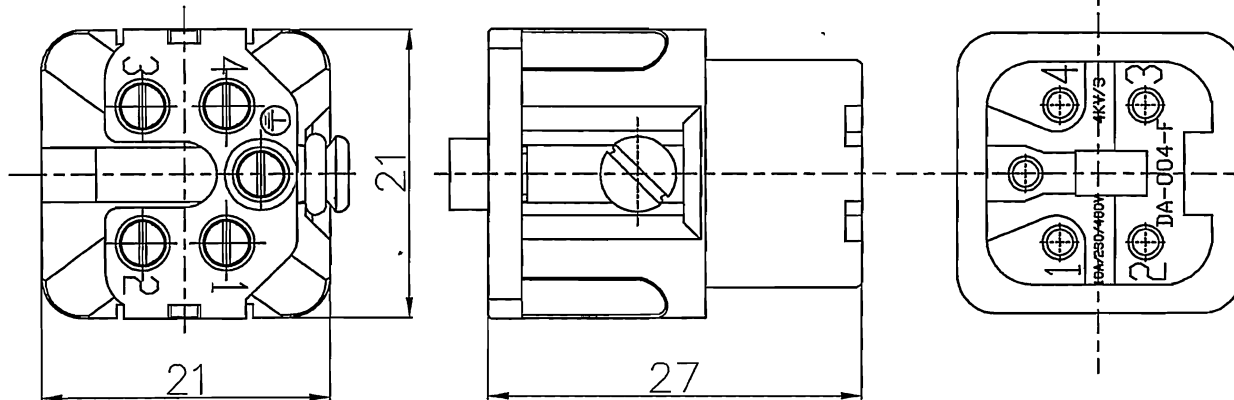


REVISION RECORD				
REV	ECN	DESCRIPTION	DRFT	DATE



Technical characteristics:

Specifications

DIN EN 60 664-1

DIN EN 61 984

Approvals:

Inserts

- 01. Number of contacts :4+PE
- 02. Rated Current :10A
- 03. Rated Voltage conductor-ground :230V
- 04. Rated Voltage conductor-conductor :400V
- 05. Pollution degree :3
- 06. Rated impulse voltage :4kv
- 07. or:10A/250V/4KV/3
- 08. Insulation resistance : $\geq 10^{10}$
- 09. Material:Polycarbonate
- 10. Colour:RAL 7032(Light grey)
- 11. Rated voltage acc. to UL/CSA:600V
- 12. Limiting temperatures : $-40^{\circ}\text{C} \sim +125^{\circ}\text{C}$
- 13. Flammability acc. to UL94:V0
- 14. Mechanical working life (mating cycles) : ≥ 500

Contacts

- 01. Material:Copper alloy
- 02. Surface:hard-silver plated
- 03. Contact resistance : $\leq 2\text{m}\Omega$
- 04. Terminal :Screw terminal
- 05. Wire gauge :1.0-2.5mm² (AWG 18-14)
- 06. Tightening torque :0.25Nm
- 07. Stripping length :4.5mm
- 08. Rohs Compliance

DETACHED LISTS	PART NO.: DA004F		宁波高松电子有限公司 NINGBO DEGSON ELECTRICAL CO., LTD		
	APPD: HJS 2016.7.20		NAME: DA-004-F		
	CHKD: Ljm 2016.7.16		TITLE: CUSTOMER DRAWING		
	DRFT: Mr.Yang 2016.06.16		REV	DO-1	
THIRD ANGLE PROJECTION		DRAWING NO.: DA-004-F-E01	SHEET	1/1	
		MM (INCH)	DO NOT SCALE DRAWING	SCALE	2:1

H
G
F
E
D
C
B
A

H
G
F
E
D
C
B
A