

REVISION RECORD				
REV	ECN	DESCRIPTION	DRFT	DATE

Technical characteristics:

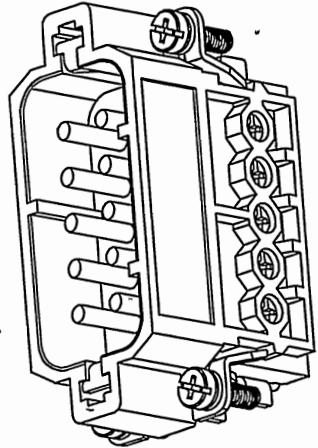
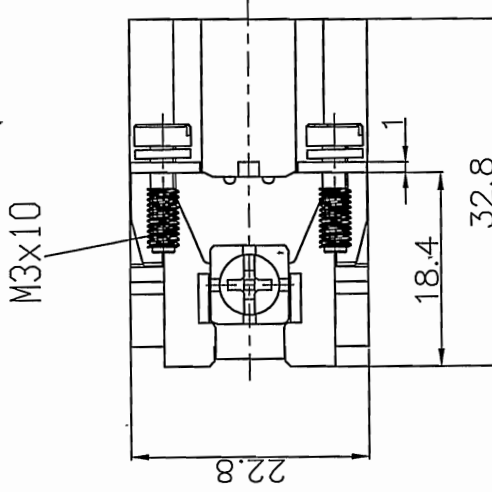
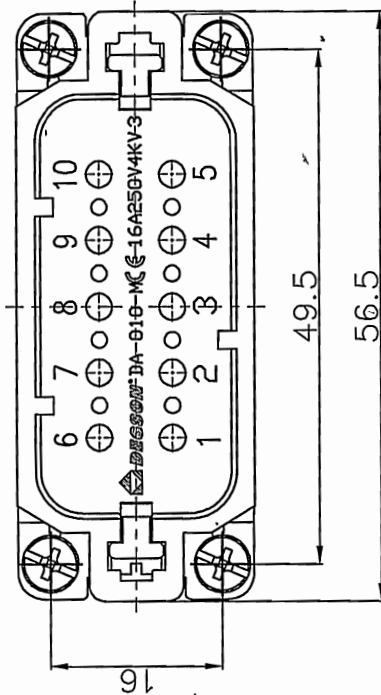
Specifications
 DIN EN 60 664-1
 DIN EN 61 984

Inserts

- 01. Number of contacts :10+PE
- 02. Rated Current :16A
- 03. Rated Voltage :250V
- 04. Pollution degree :3
- 05. Rated impulse voltage :4kv₁₀
- 06. Insulation resistance :≥10Ω
- 07. Material:Polycarbonate
- 08. Colour:RAL 7032 (Light grey)
- 09. Rated voltage acc. to UL/CSA:600V
- 10. Limiting temperatures : -40°C~+125°C
- 11. Flammability acc. to UL94:V0
- 12. Mechanical working life (mating cycles) :≥500

Contacts

- 01. Material:Copper alloy
- 02. Surface:hard-silver plated
- 03. Contact resistance :≤1mΩ
- 04. Terminal :Screw terminal
- 05. Wire gauge :1.0-2.5mm² (AWG 18-14)
- 06. Tightening torque :0.5Nm
- 07. Stripping length :7.5mm
- 08. Rohs Compliance



PART NO.: DA010M	NINGBO DEGSON®	宁波高松电子有限公司
APPD: HJS 2016.8.26	NAME: DA-010-M	
CHKD: Jm 2016.8.26	TITLE: CUSTOMER DRAWING	REV: DO-1
DRFT: Mr.yung 2016.07.25	DRAWING NO.: DA-010-M-ED1	SHEET: 1/1
	MM (INCH)	DO NOT SCALE DRAWING SCALE: 1.5:1

DETACHED LISTS

THIRD ANGLE PROJECTION