

REVISION RECORD				
REV	ECN	DESCRIPTION	DRFT	DATE

**Technical characteristics:**

Specifications  
 DIN EN 60 664-1  
 DIN EN 61 984

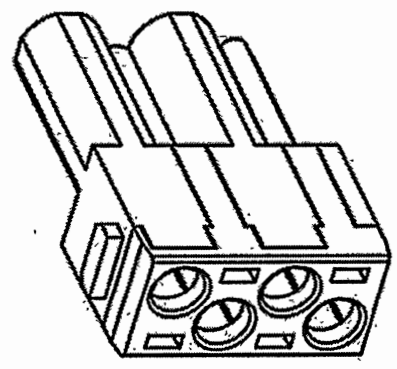
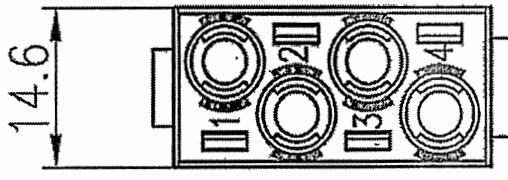
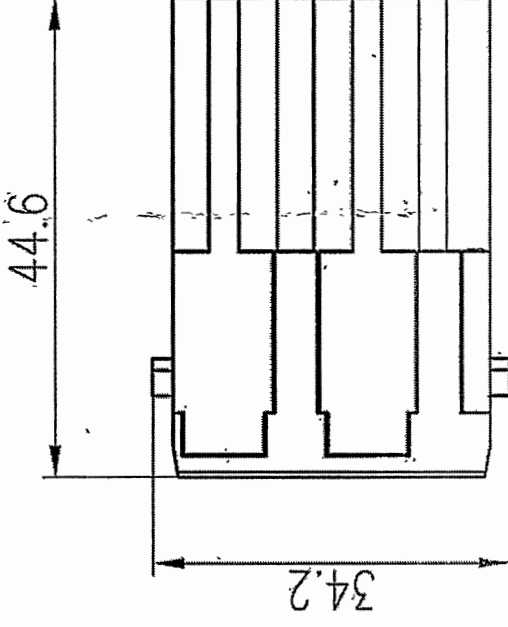
**Inserts**

- 01. Number of contacts : 4
- 02. Rated Current : 40A
- 03. Rated Voltage : 830V
- 04. Pollution degree : 3
- 05. Rated impulse voltage : 8kv<sub>u</sub>
- 06. Insulation resistance :  $\geq 10\Omega$
- 07. Material: Polycarbonate
- 08. Rated voltage acc. to UL: 600V
- 09. Limiting temperatures : -40°C ~ +125°C
- 10. Flammability acc. to UL94: V0
- 11. Mechanical working life (mating cycles) :  $\geq 500$

**Contacts**

- 01. Material: Copper alloy
- 02. Surface: hard-silver plated
- 03. Contact resistance :  $\leq 0.3m\Omega$
- 04. Terminal : Crimp terminal
- 05. Wire gauge : 1.5-6mm<sup>2</sup> (AWG 16-10)
- 06. Rohs Compliance

Note: Crimp contact pins should order separately



PART NO.: /		NINGBO DEGSON ELECTRICAL CO., LTD 宁波高松电子有限公司	
APPD: HJS 2016.8.25	NAME: DMK-004-MC		
CHKD: JYM 2016.9.15	TITLE: CUSTOMER DRAWING		
DRFT: yang 2016.08.22	REV	D0-1	
THIRD ANGLE PROJECTION	DRAWING NO.: DMK-004-MC-E01		SHEET 1/1
	DO NOT SCALE DRAWING		SCALE 1:5:1

DETACHED LISTS