

REVISION RECORD				
REV	ECN	DESCRIPTION	DRFT	DATE

**Technical characteristics:**

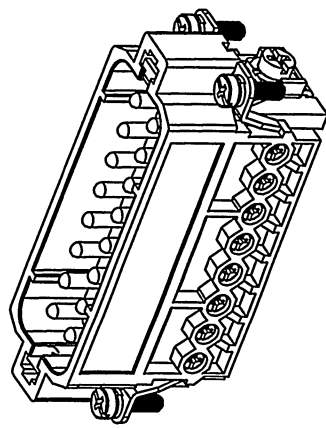
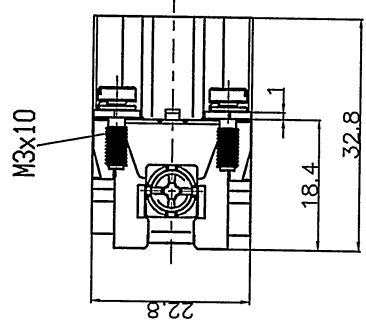
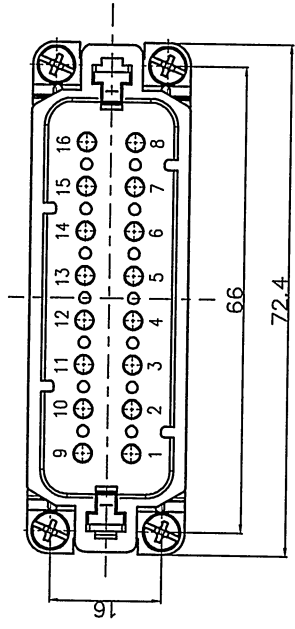
Specifications  
 DIN EN 60 664-1  
 DIN EN 61 984

**Inserts**

- 01. Number of contacts : 16+PE
- 02. Rated Current : 16A
- 03. Rated Voltage : 250V
- 04. Pollution degree : 3
- 05. Rated impulse voltage : 4kv<sup>10</sup>
- 06. Insulation resistance :  $\geq 10 \Omega$
- 07. Material: Polycarbonate
- 08. Rated voltage acc. to UL/GSA: 600V
- 09. Limiting temperatures : -40°C ~ +125°C
- 10. Flammability acc. to UL94: V0
- 11. Mechanical working life (mating cycles) :  $\geq 500$

**Contacts**

- 01. Material: Copper alloy
- 02. Surface: hard-silver plated
- 03. Contact resistance :  $\leq 1m\Omega$
- 04. Terminal : Screw terminal
- 05. Wire gauge : 1.0-2.5mm<sup>2</sup> (AWG 18-14)
- 06. Tightening torque : 0.5Nm
- 07. Stripping length : 7.5mm
- 08. Rohs Compliance



PART NO.: /		宁波高松电子有限公司 NINGBO DEGSON ELECTRICAL CO., LTD	
APPD: HSS 2016.8.26	NAME: DA-016-M	DETACHED LISTS	
CHKD: LJM 2016.8.25	TITLE: CUSTOMER DRAWING	REV	DO-1
DRFT: yang	DRAWING NO.: DA-016-M	SHEET	1/1
THIRD ANGLE PROJECTION		DO NOT SCALE	DRAWING SCALE
		1:1	1:1