

REVISION RECORD			
REV	ECN	DESCRIPTION	DRFT DATE

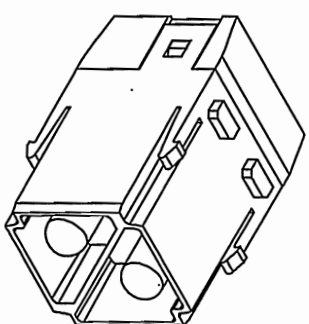
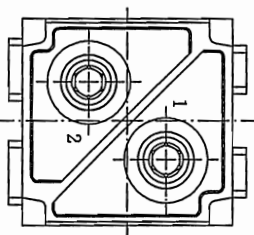
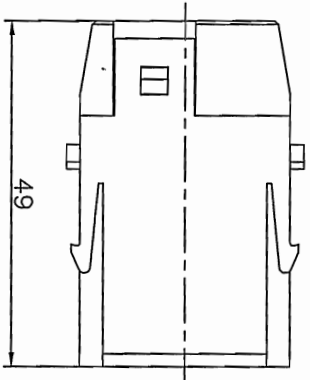
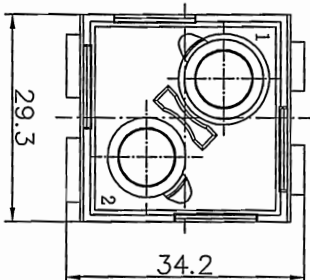
Technical characteristics:
 Specifications
 DIN EN 60 664-1
 DIN EN 61 984

Inserts

- 01. Number of contacts : 2
- 02. Rated Current : 100A
- 03. Rated Voltage : 1000V
- 04. Pollution degree : 3
- 05. Rated impulse voltage : 8kv¹⁰
- 06. Insulation resistance : $\geq 10^9 \Omega$
- 07. Material : Polycarbonate
- 08. Rated voltage acc. to UL : 600V
- 09. Limiting temperatures : -40°C ~ +125°C
- 10. Flammability acc. to UL94 : V0
- 11. Mechanical working life (mating cycles) : ≥ 500

Contacts

- 01. Material : Copper alloy
- 02. Surface : hard-silver plated
- 03. Contact resistance : 0.3m Ω
- 04. Terminal : Axial screw terminal
- 05. Wire gauge : 16-35mm² (AWG 6-2)
- 06. Hexagonal driver : SW4
- 07. Stripping length : 13mm¹
- 08. Tightening torque : 6-8Nm
- 09. Rohs Compliance



DETACHED LISTS	
PART NO.:	/
APPR:	1115 2016.1.18
CHKD:	15ym 2016.9.25
DRFT:	YONG 2016.08.22
THIRD ANGLE PROJECTION	
NAME:	DEGSON® 宁波高松电子有限公司 NINGBO DEGSON ELECTRICAL CO., LTD
TITLE:	CUSTOMER DRAWING
DRAWING NO.:	D2MK-002-M-E01
REV	DO-1
SHEET	1/1
SCALE	DO NOT SCALE DRAWING