

REVISION RECORD			
REV	ECN	DESCRIPTION	DRFT DATE

Technical characteristics:

Specifications

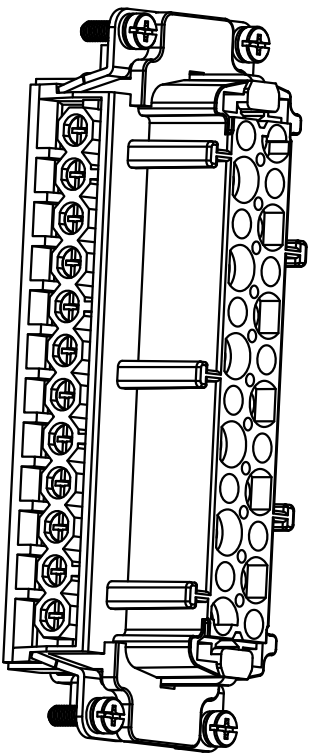
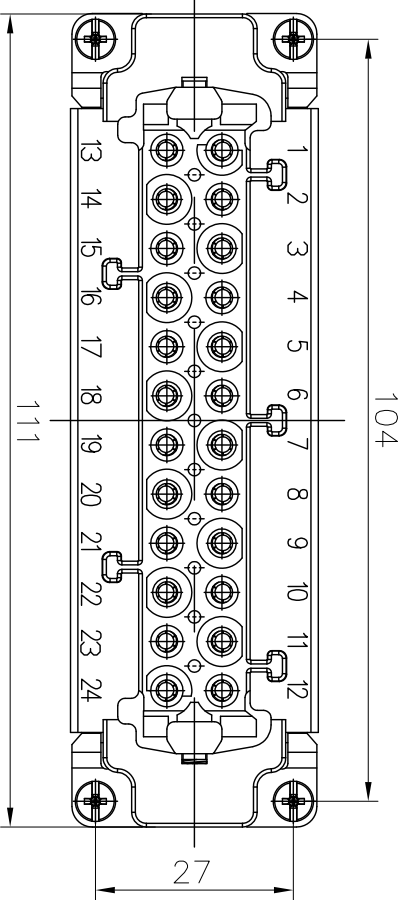
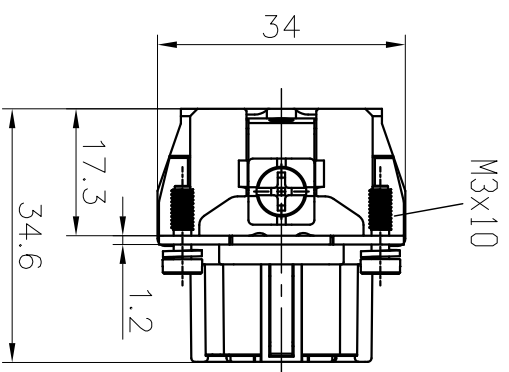
- DIN EN 60 664-1
- DIN EN 61 984

Inserts

01. Number of contacts :24+PE
02. Rated Current :16A
03. Rated Voltage :500V
04. Pollution degree :3
05. Rated impulse voltage :6kv¹⁰
06. Insulation resistance :≥10¹⁰
07. Material:Polycarbonate
08. Rated voltage acc. to UL/CSA:600V
09. Limiting temperatures :-40°C~+125°C
10. Flammability acc. to UL94:V0
11. Mechanical working life (mating cycles) :≥500

Contacts

01. Material:Copper alloy
02. Surface:hard-silver plated
03. Contact resistance :≤1mΩ
04. Terminal :Screw terminal
05. Wire gauge :1.0-2.5mm² (AWG: 18-14)
06. Tightening torque :0.5Nm
07. Stripping length :7.5mm
08. Rohs Compliance



A 8

B 7

C 6

D 5

E 4

F 3

G 2

H 1

A 3

B 2

C 1

DETACHED LISTS			
PART NO.:	/		
APPD:			
CHKD:			
DRFT:	Mr. Yang 2016.08.08		
NAME: DEGSON NINGBO DEGSON ELECTRICAL CO., LTD 宁波高松电子有限公司		TITLE: CUSTOMER DRAWING	
DE-024-F		DRAWING NO.: /	
		DO NOT SCALE DRAWING	
REV	DO	SCALE	
1/1	1/1	1:1	

REVISION RECORD				
REV	ECN	DESCRIPTION	DRFT	DATE

Technical characteristics:

Specifications

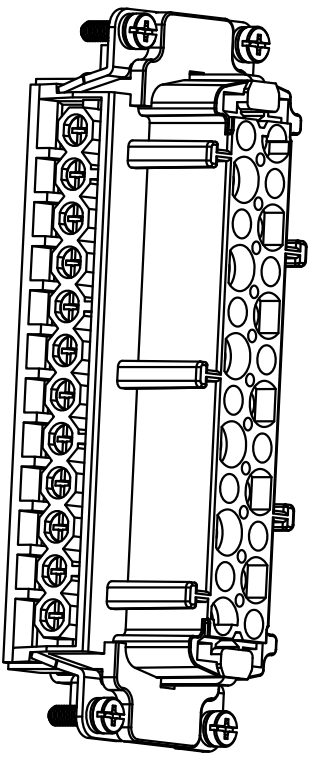
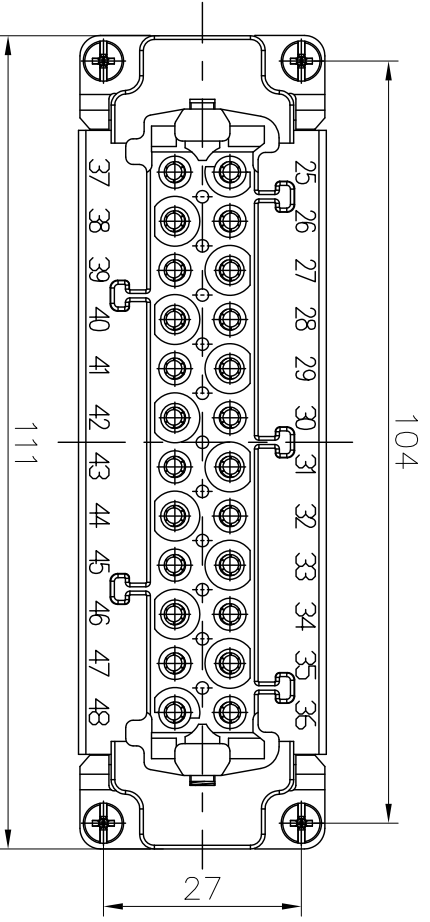
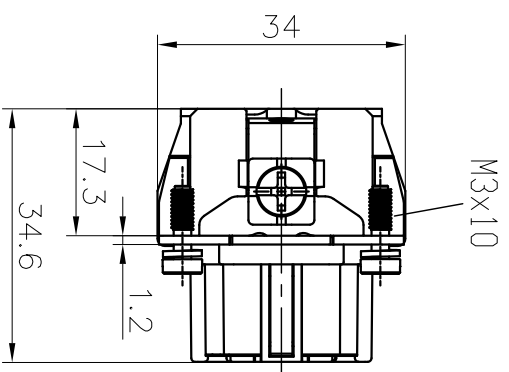
- DIN EN 60 664-1
- DIN EN 61 984

Inserts

01. Number of contacts : 24+PE
02. Rated Current : 16A
03. Rated Voltage : 500V
04. Pollution degree : 3
05. Rated impulse voltage : 6kv¹⁰
06. Insulation resistance : $\geq 10^9 \Omega$
07. Material: Polycarbonate
08. Rated voltage acc. to UL/CSA: 600V
09. Limiting temperatures : -40°C ~ +125°C
10. Flammability acc. to UL94: V0
11. Mechanical working life (mating cycles) : ≥ 500

Contacts

01. Material: Copper alloy
02. Surface: hard-silver plated
03. Contact resistance : $\leq 1m\Omega$
04. Terminal : Screw terminal
05. Wire gauge : 1.0-2.5mm² (AWG: 18-14)
06. Tightening torque : 0.5Nm
07. Stripping length : 7.5mm
08. Rohs Compliance



DETACHED LISTS			
PART NO.:	/	NINGBO DEGSON ELECTRICAL CO., LTD	
APPD:		NAME: DE-024-F(25-48)	
CHKD:		NINGBO DEGSON ELECTRICAL CO., LTD	
DRFT:	Mr. Yang 2016.08.08	TITLE:	CUSTOMER DRAWING
THIRD ANGLE PROJECTION		DRAWING NO.:	/
		SCALE:	DO NOT SCALE DRAWING
		REV	DO
		SHEET	1/1
		SCALE	1:1

A 8 7 6 5 4 3 2 1