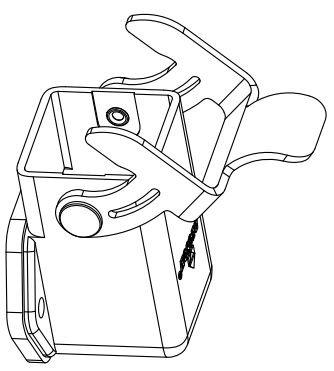
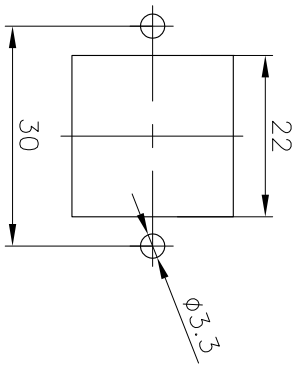
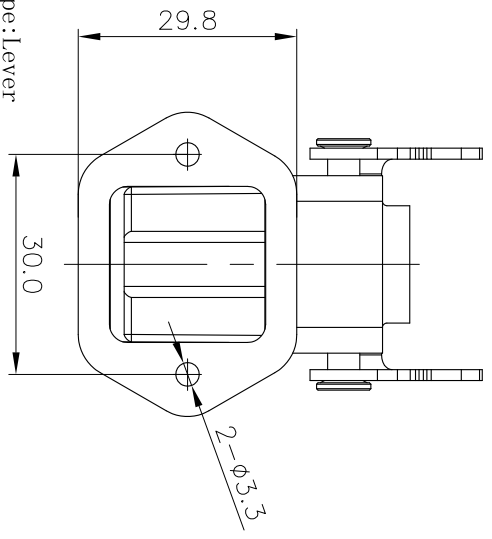
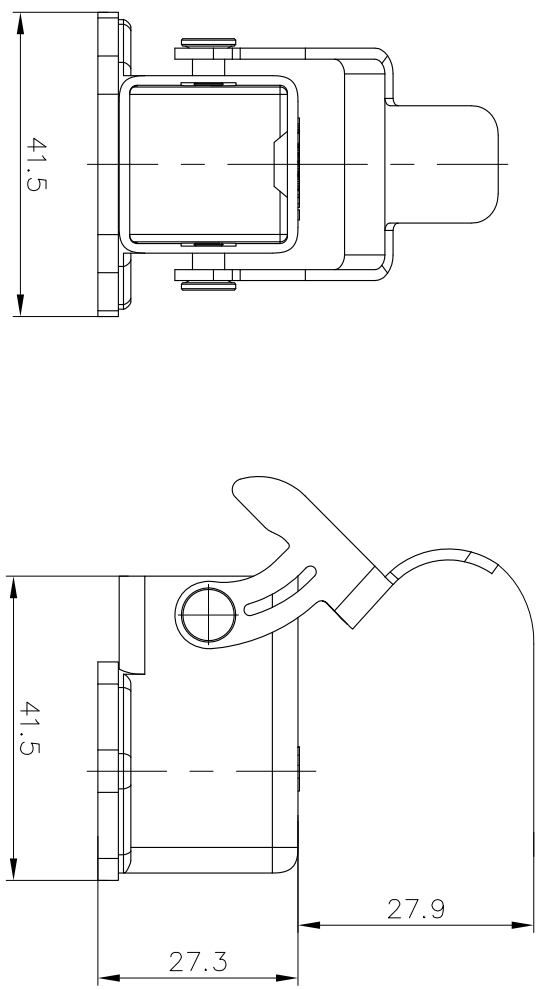



REVISION RECORD				
REV	ECN	DESCRIPTION	DRFT	DATE



Housings Feature:

1. Material: Zinc die-cast
2. Colour: Grey (RAL7037)
3. Locking element, Lever type: Lever
4. Material: Metal
5. Housings Seal: NBR
6. Limiting temperatures: -40°C~+125°C
7. Flammability acc. to UL94: V0
8. Degree of protection acc. TO
9. RoHS Compliance

DETACHED LISTS				
PART NO.:	/	NAME:	 NINGBO DEGSON ELECTRICAL CO., LTD 宁波高松电子有限公司	
APPR:		TITLE:	CUSTOMER DRAWING	
CHKD:		DRAWING NO.:	D3A-BK-SE-1L-E01	REV
DRFT:	WYM 2016/07/29	THIRD ANGLE PROJECTION	DO NOT SCALE DRAWING	DO-1
		SCALE	1:1	1/1

A 8 7 6 5 4 3 2 1