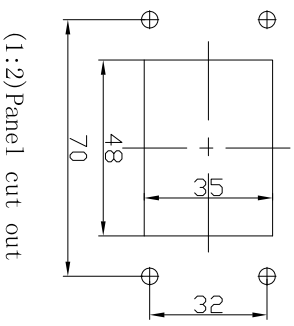
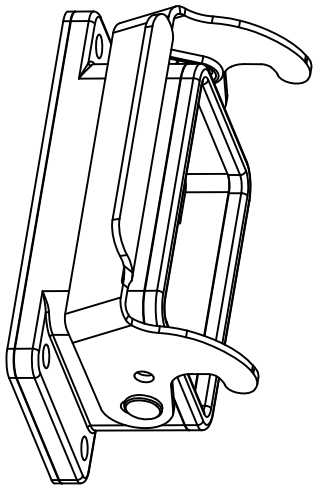
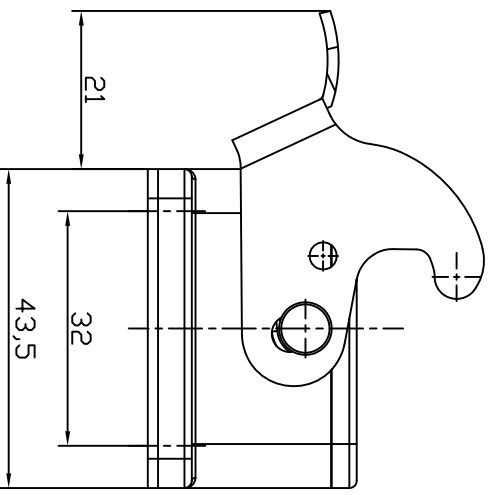
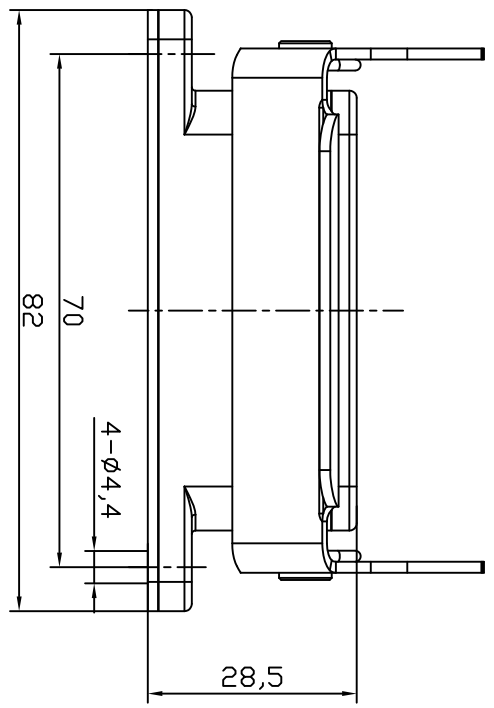



REVISION RECORD				
REV	ECN	DESCRIPTION	DRFT	DATE



DETACHED LISTS				
PART NO.:	/	NAME:	 DEGSON [®] 宁波高松电子有限公司 NINGBO DEGSON ELECTRICAL CO., LTD	
APPD:			NAME: D6B-BK-1L	
CHKD:		TITLE:	ASSEMBLY DRAWING	
DRFT:		DRAWING NO.:	1/1	
		SCALE:	1:1	
		DO NOT SCALE DRAWING		

A 8 7 6 5 4 3 2 1