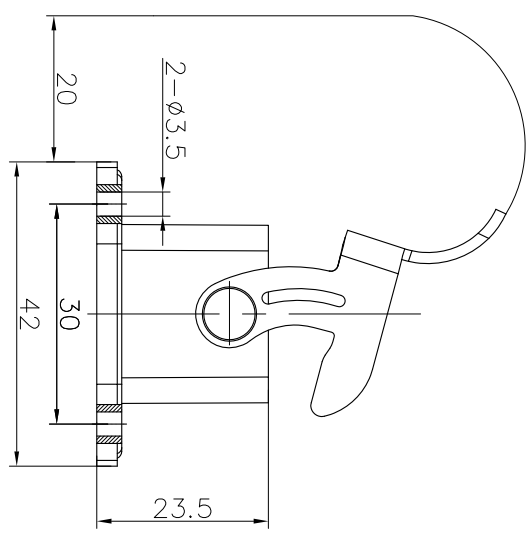
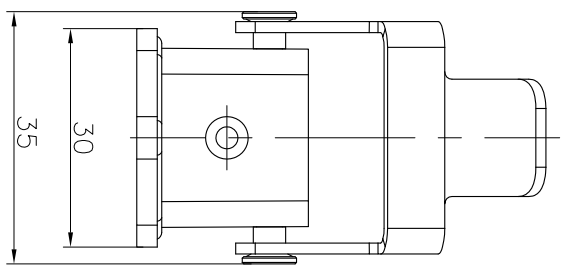
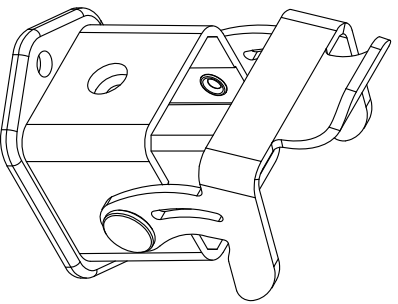
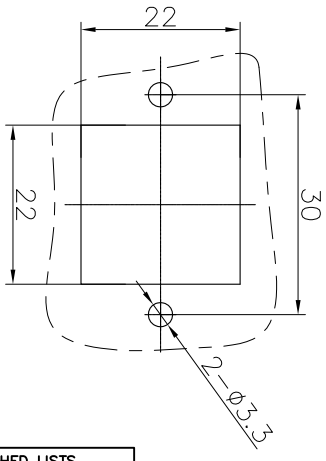


REVISION RECORD				
REV	ECN	DESCRIPTION	DRFT	DATE



Panel cut out



Housings Feature:

1. Material: Zinc die-cast
2. Colour: Grey (RAL7037)
3. Locking element, Lever type: Lever
4. Material: Metal
5. Housings Seal: NBR
6. Limiting temperatures: -40°C ~ +125°C
7. Flammability acc. to UL94: V0
8. Degree of protection acc. TO DIN EN 60529 for coupled connector: IP65
9. Rohs Compliance

DETACHED LISTS			
PART NO.: D3ABK1L	NAME: <b>DEGSON</b> ® NINGBO DEGSON ELECTRICAL CO., LTD 宁波高松电子有限公司	REV	DO
APPD:	D3A-BK-1L	SHEET	1/1
DRFT: Mr. Yang 2016.08.08	TITLE: CUSTOMER DRAWING	SCALE	
CHKD:	DRAWING NO.: /	DO NOT SCALE DRAWING	
THIRD ANGLE PROJECTION	1X1 (INCH)		