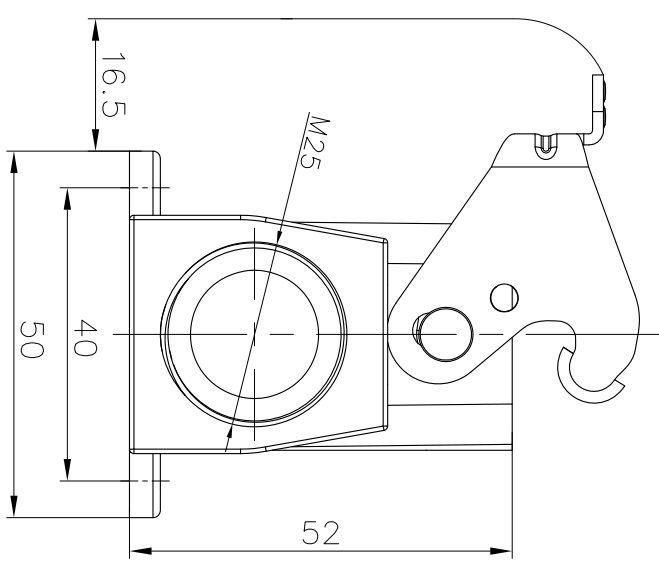
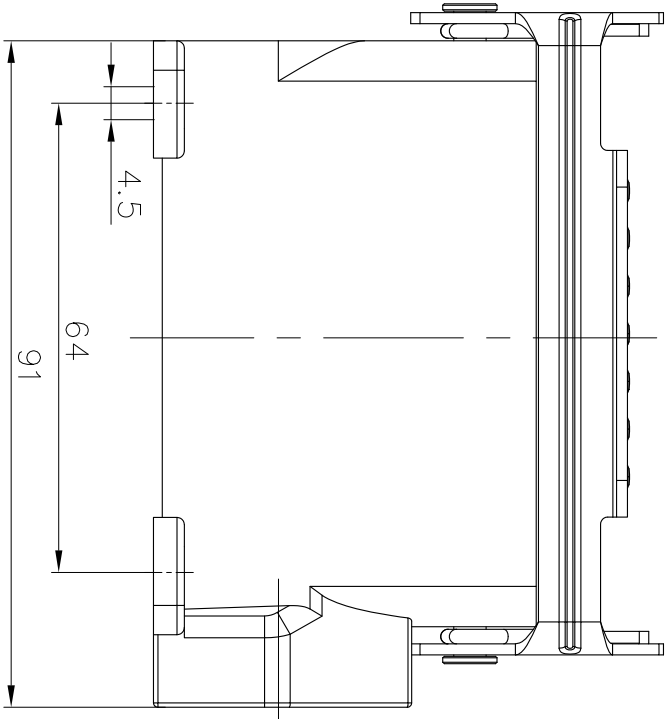
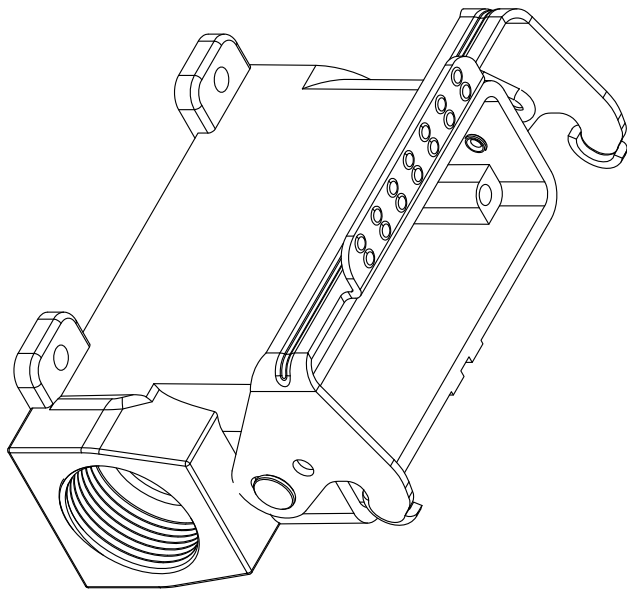



REVISION RECORD				
REV	ECN	DESCRIPTION	DRFT	DATE



Housings Feature

1. Material: aluminium die-cast
2. Surface: Powder-coated
3. Color: grey (RAL 7037)
4. Material: Metal zinc-plated (Lever)
5. Limiting temperatures: -40°C ~ +125°C
6. Flammability acc to UL94: V0
7. Degree of protection acc.to EN60529 for coupled connector : IP65
8. Rohs compliance

DETACHED LISTS				
PART NO.:	/	NAME:	 NINGBO DEGSON ELECTRICAL CO., LTD 宁波高松电子有限公司	
APPR:		CHKD:	D16A-SF-1L-M25	
DRFT:	Mr. yong 2017/06/28	TITLE:	CUSTOMER DRAWING	REV
		DRAWING NO.:		DO-1
		THIRD ANGLE PROJECTION	DO NOT SCALE DRAWING	SHEET
			SCALE	1/1

A 8 7 6 5 4 3 2 1