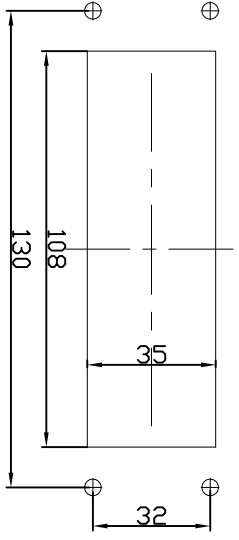
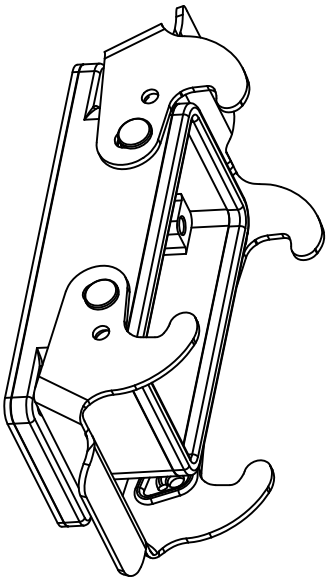
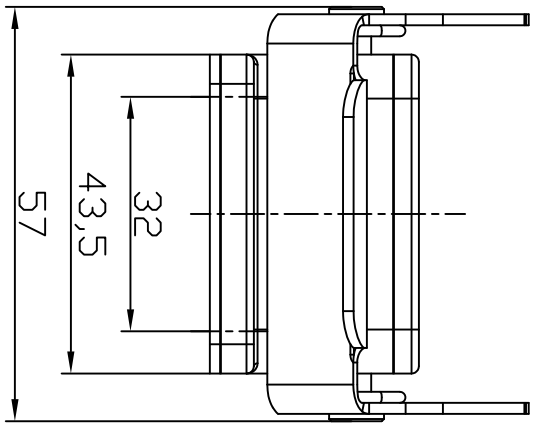
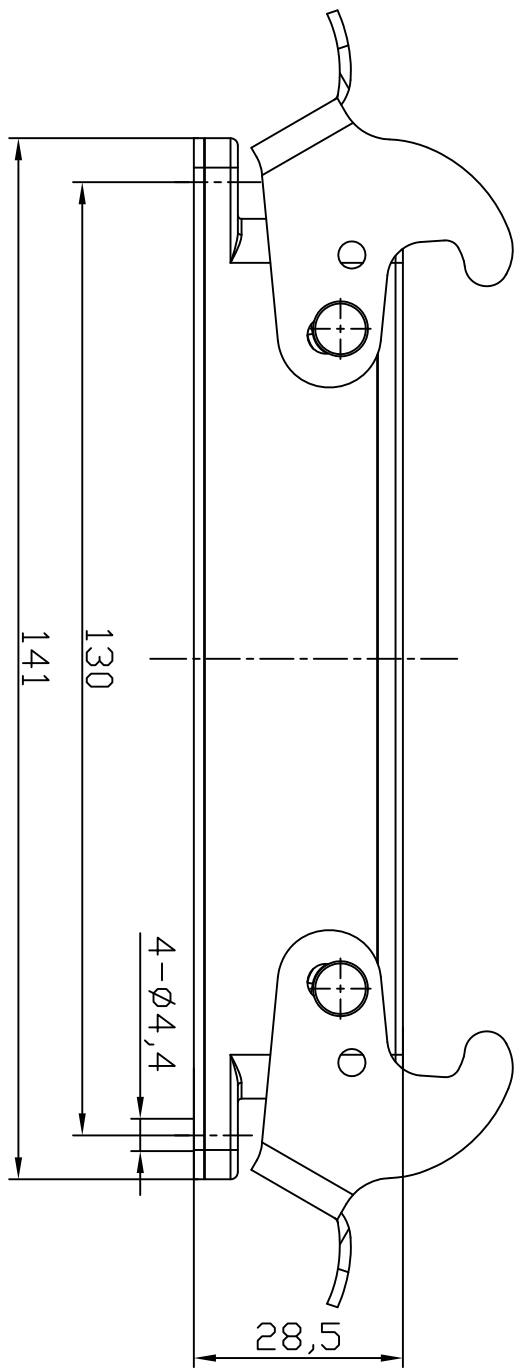


REVISION RECORD			
REV	ECN	DESCRIPTION	DRFT DATE



(1:2) Panel cut out

DETACHED LISTS			
PART NO.: /	NAME: <b>DEGSON</b> ® NINGBO DEGSON ELECTRICAL CO., LTD 宁波高松电子有限公司	REV	T0-1
APPD: /	NAME: D24B-BK-2L	SHEET	1/1
CHKD: /	TITLE: ASSEMBLY DRAWING	SCALE	1:1
DRFT: /	DRAWING NO.: /	DO NOT SCALE DRAWING	
THIRD ANGLE PROJECTION	1/1 (INCH)		

A 8 7 6 5 4 3 2 1