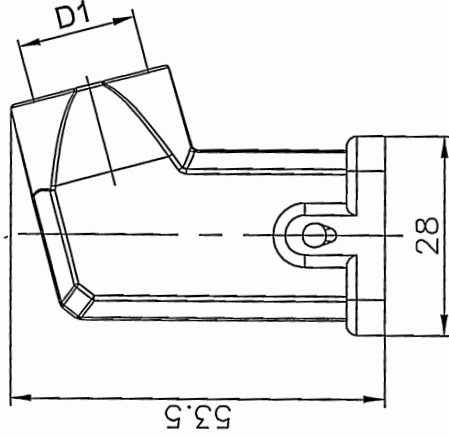
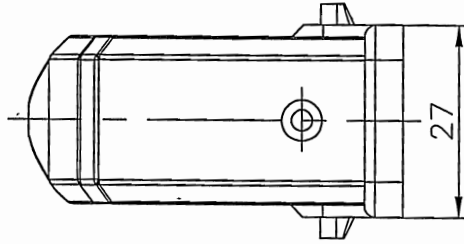
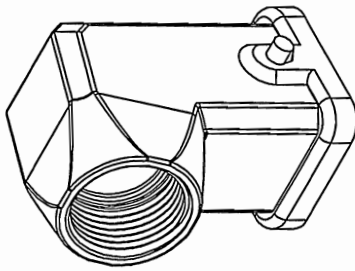


TYPE	Thread(D1) Selection
D3A-SE-2g-PG11	PG11
D3A-SE-2g-M20	M20

REVISION RECORD				
REV	ECN	DESCRIPTION	DRFT	DATE



Hoods Feature

1. Material: Zinc die-cast
2. Surface: Powder-coated
3. Color: grey (RAL 7037)
4. Limiting temperatures: -40°C ~ +125°C
5. Flammability acc to UL94: V0
6. Degree of protection acc. to EN60529 for coupled connector : IP65
7. Rohs compliance

PART NO.:		NINGBO DEGSON®		宁波高松电子有限公司	
APPD: MS 2016. P.1		NAME:		D3A-SE-2g-M/PG	
CHKD: CHK 2016. 9.1		TITLE:		CUSTOMER DRAWING	
DRFT: Mr.yang 2017/06/28		DRAWING NO.:		REV .D0-1	
THIRD-ANGLE-PROJECTION		MM (INCH)		SHEET 1/1	
		DO NOT SCALE DRAWING		SCALE 1:1	

DETACHED LISTS