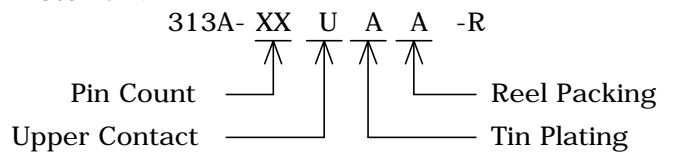


REV.	DESCRIPTION	DRAWN	DATE
1	INITIAL RELEASE	Willis	2012/08/03
2	ECN160223001	FROS	2016/02/25


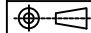
SPECIFICATION:

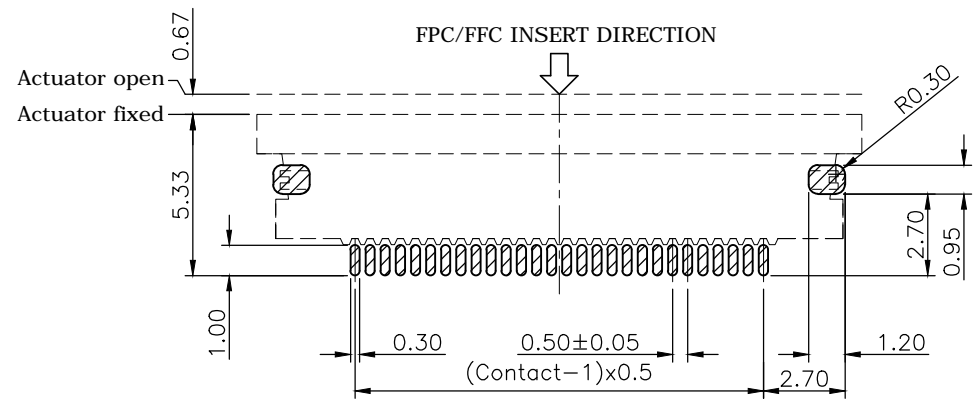
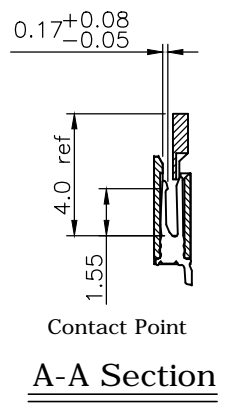
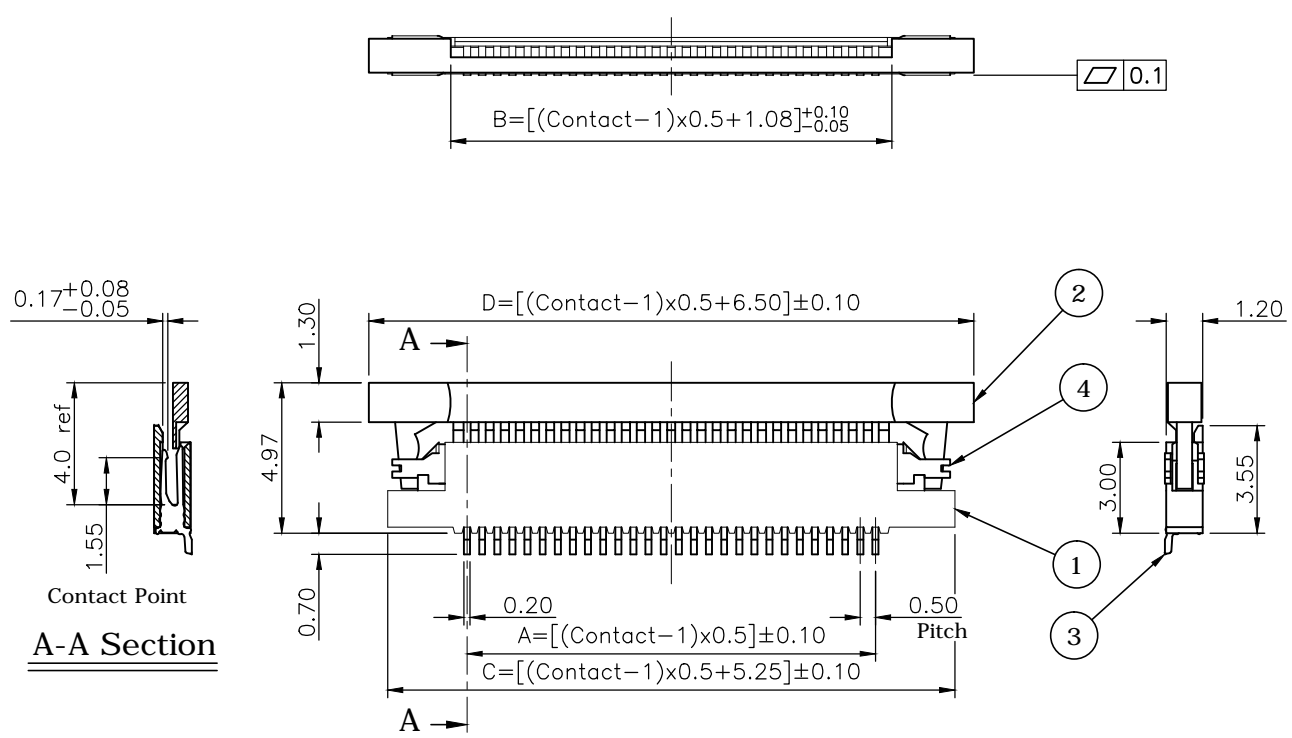
1. ELECTRICAL
 - 1.1 Current Rating: 0.5A per pin
 - 1.2 Voltage Rating: 50V AC/DC
 - 1.3 Contact Resistance: 30mΩ
 - 1.4 Insulation Resistance: 50MΩ
 - 1.5 Dielectric Withstanding Voltage: 500VAC
2. MECHANICAL
 - 2.1 Durability: 20 Cycle
 - 2.2 Contact Retention Force: 0.3kgf min.
 - 2.3 FPC/FFC Retention Force: 0.03kgf min. per pin
3. ENVIRONMENTAL
 - 3.1 Operating temperature range: -40°C~+85°C
 - 3.2 Storage temperature range: -40°C~+85°C
4. SOLDER ABILITY
 - 4.1 Recommended IR Reflow(Wave Soldering) Temperature: 260°C

Note 1: P/N



4	Holddown	Brass C2680, Tin over Nickel plating
3	Contact	Phosphor Bronze C5191, Tin over Nickel plating
2	Actuator	LCP E130i, UL94V-0, Black
1	Housing	LCP E471i, UL94V-0, Natural
NO.	PART NAME	DESCRIPTION

UNLESS OTHERWISE SPECIFIED TOLERANCE				 WWW.ATTEND.COM.TW
UNIT:	DECIMAL	LINEAR	ANGLES	
mm	X.	±0.50	±5°	
	X.X	±0.25	±3°	
	X.XX	±0.12	±1°	
DRAWN	Willis	2012/08/03	DRAWN NAME:	
CHECKED	Angel	2012/08/03	FPC Connector Pitch 0.5mm H1.2mm Upper Contact Type	
APPROVED	Ken	2012/08/03	PRODUCT NO. see note 1	
	SCALE 5/1	SHEET 1/2	SIZE A4	FILE NAME 313A-XXUAA-R_B_2

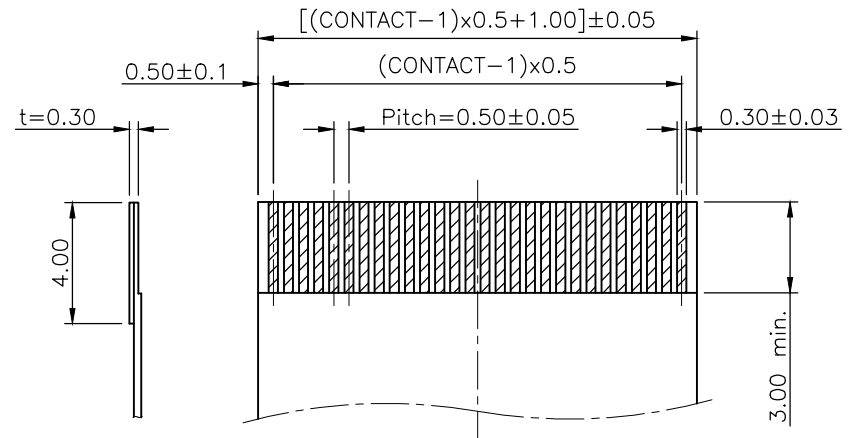


△ the pins that are with mold and under mass production


REV.	DESCRIPTION	DRAWN	DATE
	see sheet one		

PIN	Dimensions			
	A	B	C	D
4	1.50	2.58	6.75	8.00
5	2.00	3.08	7.25	8.50
6	2.50	3.58	7.75	9.00
7	3.00	4.08	8.25	9.50
8	3.50	4.58	8.75	10.00
9	4.00	5.08	9.25	10.50
10	4.50	5.58	9.75	11.00
11	5.00	6.08	10.25	11.50
12	5.50	6.58	10.75	12.00
13	6.00	7.08	11.25	12.50
14	6.50	7.58	11.75	13.00
15	7.00	8.08	12.25	13.50
16	7.50	8.58	12.75	14.00
17	8.00	9.08	13.25	14.50
18	8.50	9.58	13.75	15.00
19	9.00	10.08	14.25	15.50
20	9.50	10.58	14.75	16.00
21	10.00	11.08	15.25	16.50
22	10.50	11.58	15.75	17.00
23	11.00	12.08	16.25	17.50
24	11.50	12.58	16.75	18.00
25	12.00	13.08	17.25	18.50
26	12.50	13.58	17.75	19.00
27	13.00	14.08	18.25	19.50
28	13.50	14.58	18.75	20.00
29	14.00	15.08	19.25	20.50
30	14.50	15.58	19.75	21.00
31	15.00	16.08	20.25	21.50
32	15.50	16.58	20.75	22.00
33	16.00	17.08	21.25	22.50
34	16.50	17.58	21.75	23.00
35	17.00	18.08	22.25	23.50
36	17.50	18.58	22.75	24.00
37	18.00	19.08	23.25	24.50
38	18.50	19.58	23.75	25.00

PIN	Dimensions			
	A	B	C	D
39	19.00	20.08	24.25	25.50
40	19.50	20.58	24.75	26.00
41	20.00	21.08	25.25	26.50
42	20.50	21.58	25.75	27.00
43	21.00	22.08	26.25	27.50
44	21.50	22.58	26.75	28.00
45	22.00	23.08	27.25	28.50
46	22.50	23.58	27.75	29.00
47	23.00	24.08	28.25	29.50
48	23.50	24.58	28.75	30.00
49	24.00	25.08	29.25	30.50
50	24.50	25.58	29.75	31.00



FFC/ FPC (t= 0.30mm)

UNLESS OTHERWISE SPECIFIED TOLERANCE				 WWW.ATTEND.COM.TW		
UNIT:	DECIMAL	LINEAR	ANGLES			DRAWN NAME: FPC Connector Pitch 0.5mm H1.2mm Upper Contact Type
mm	X.	±0.50	±5°			
	X.X	±0.25	±3°			
	X.XX	±0.12	±1°			
DRAWN	Willis	2012/08/03	DRAWN NO.			
CHECKED	Angel	2012/08/03	DRAWN NAME:			
APPROVED	Ken	2012/08/03	PRODUCT NO.	see note 1		
SCALE	5/1	SHEET	2/2	SIZE	FILE NAME	
				A4	313A-XXUAA-R_B_2	