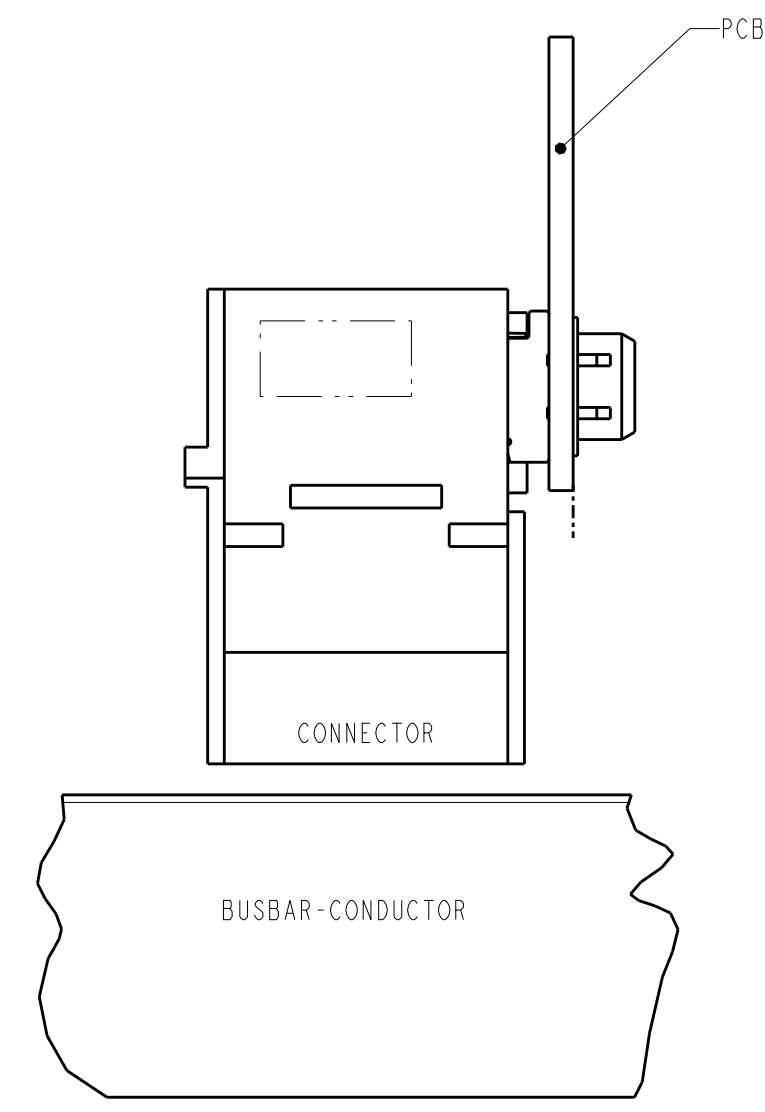
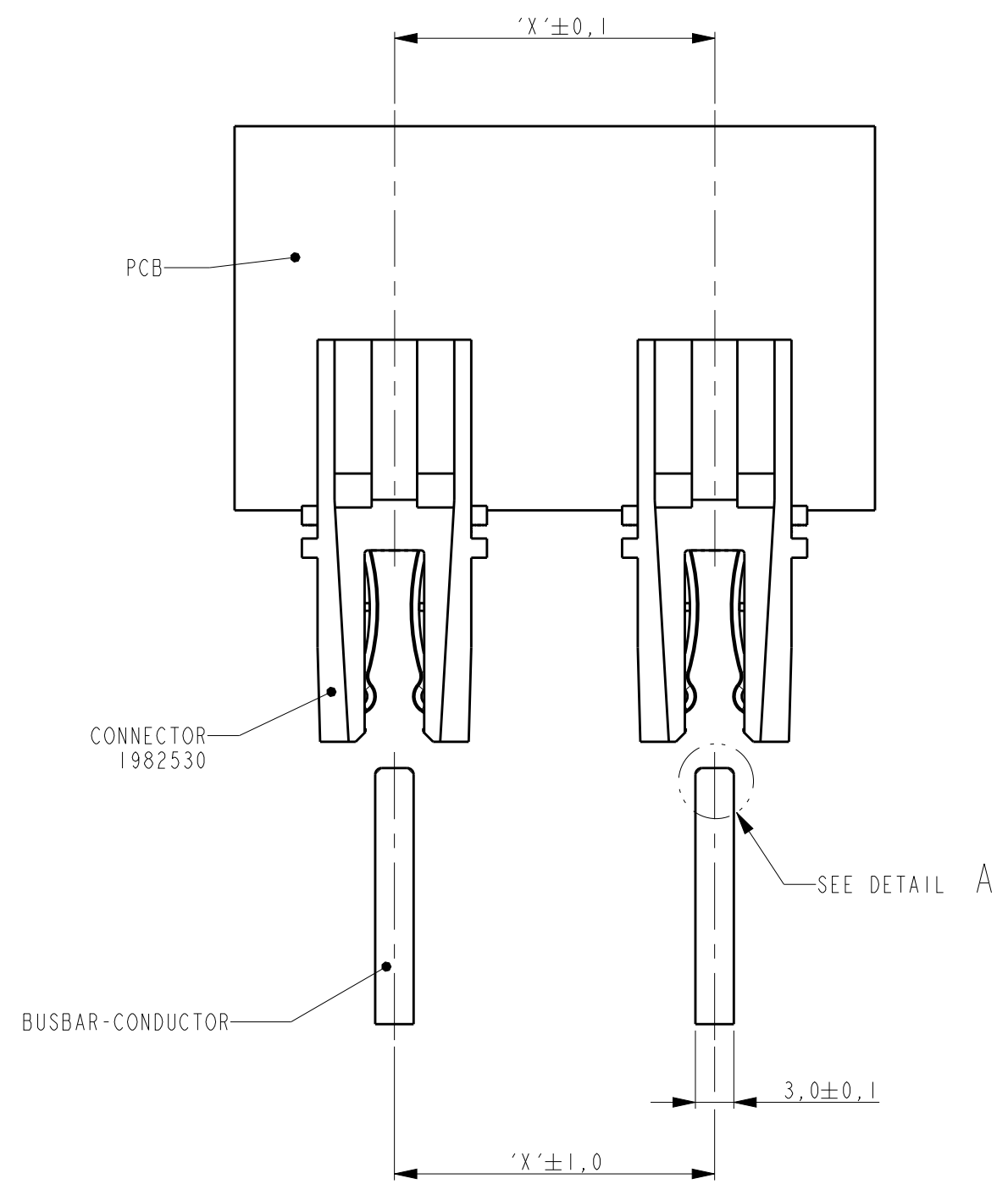
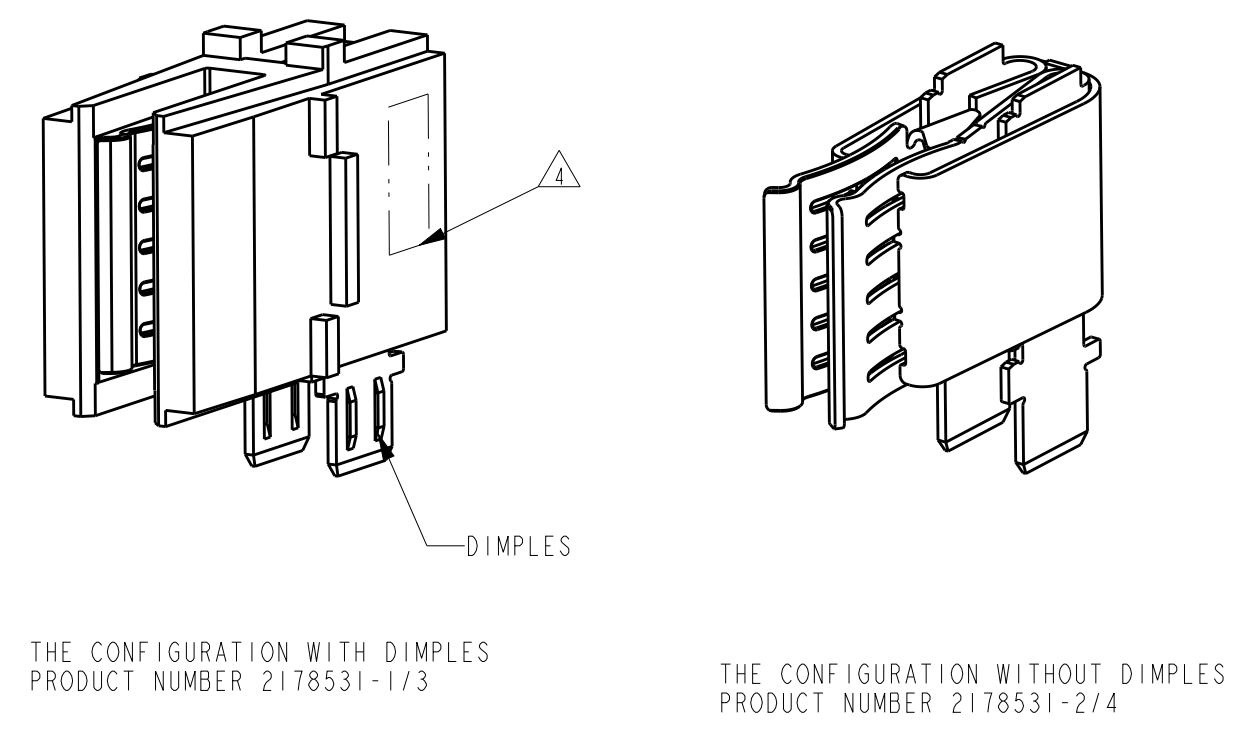
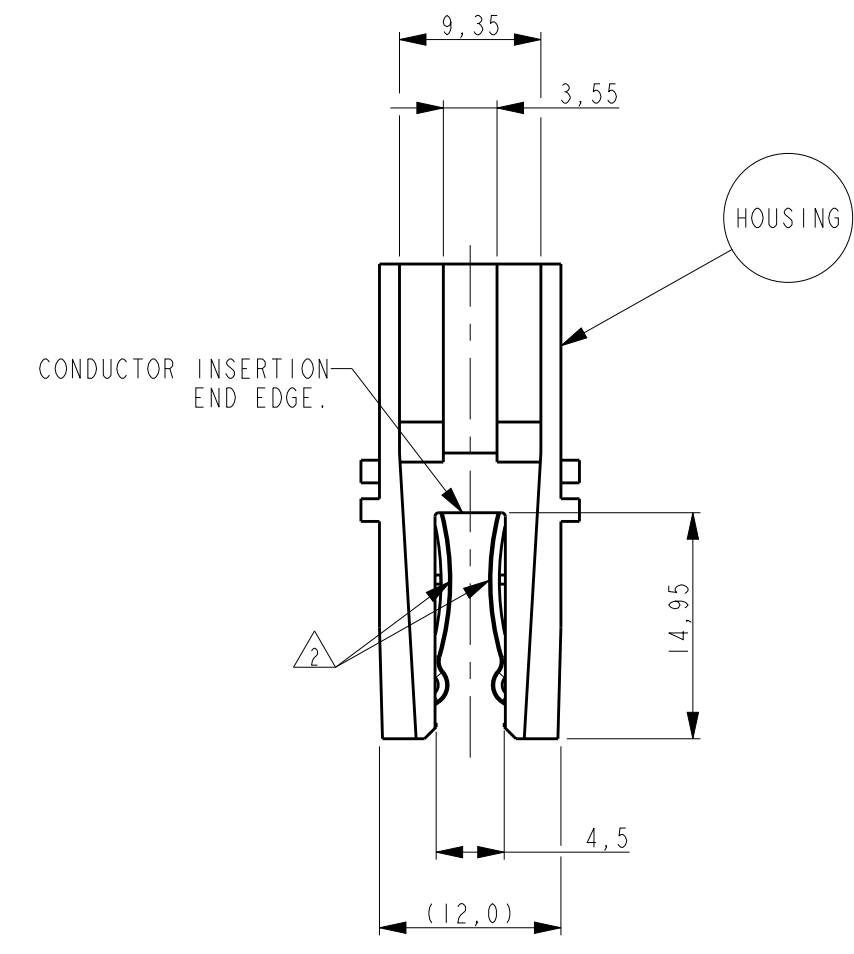


THIS DRAWING IS UNPUBLISHED. RELEASED FOR PUBLICATION  
 © COPYRIGHT - BY - TE CONNECTIVITY ALL RIGHTS RESERVED.

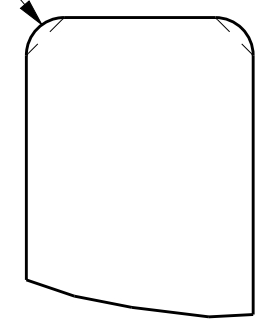
LOC	DIST	REVISIONS					
ES	00	P	LTR	DESCRIPTION	DATE	DWN	APVD
		A4		REV PER ECR-15-005882	20APR2015	ML	SZ
		A5		REV PER ECO-19-010336. NEW P/N -4	26JUN2018	ML	SZ



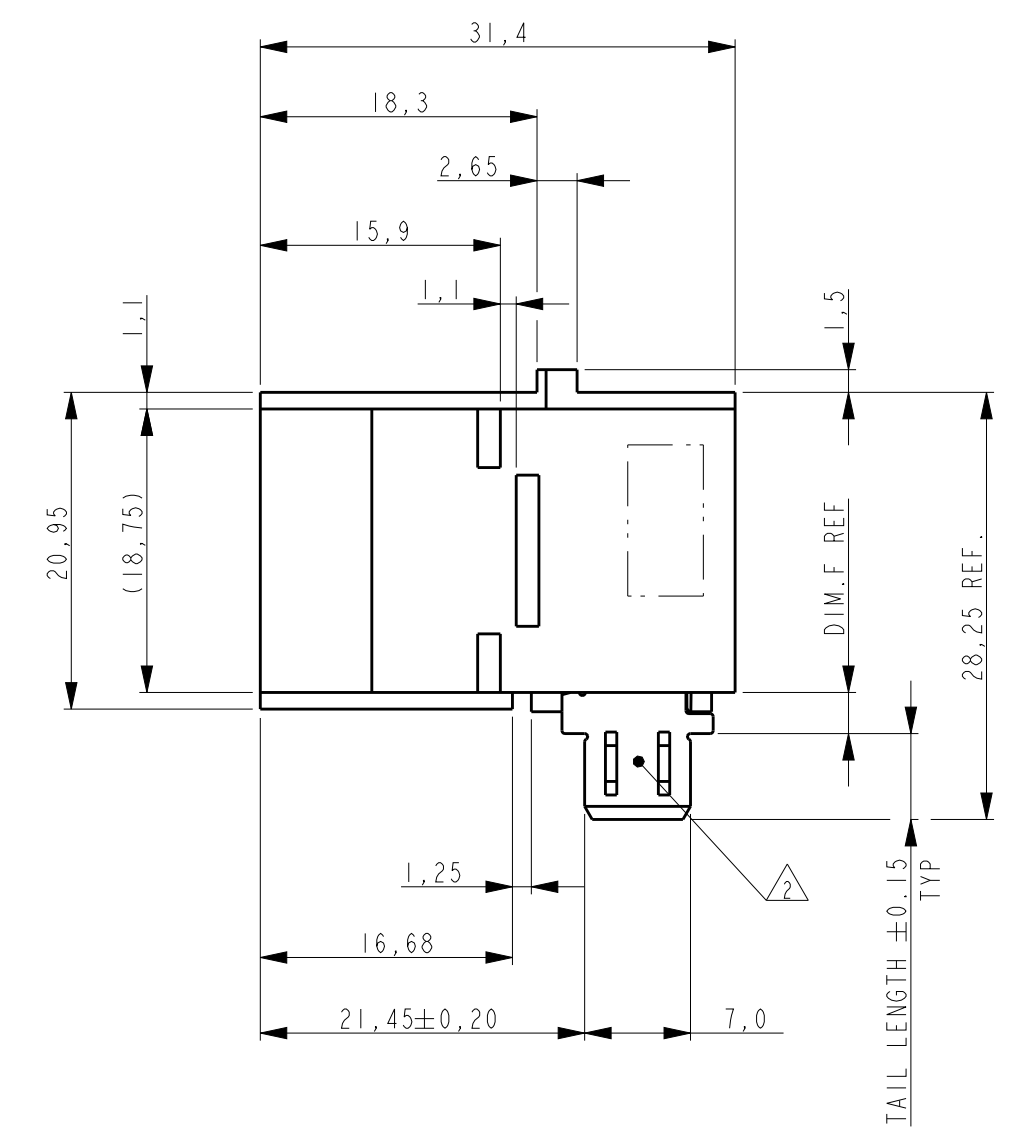
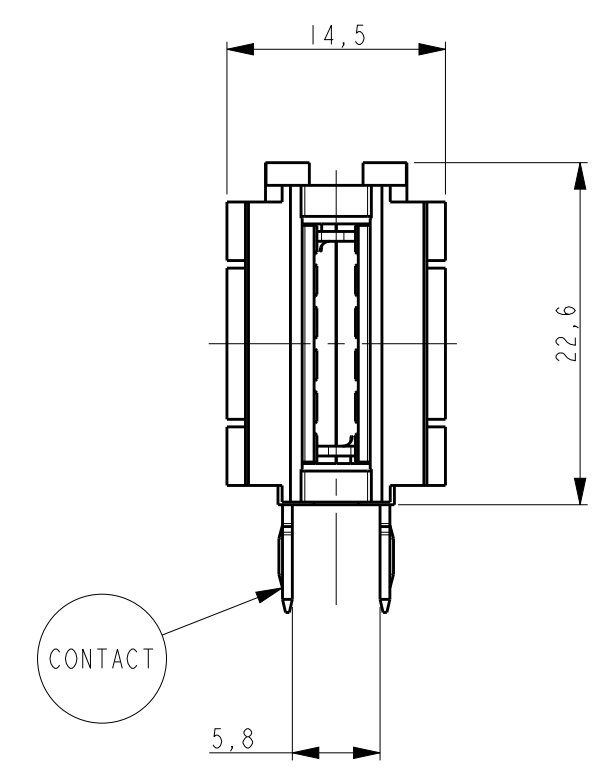
PCB AND BUSBAR-CONDUCTORS, IN THESE VIEWS ARE SHOWN FOR REFERENCE ONLY.



0.5MM MIN. RADIUS OR CHAMFERED WITH ROUND TREAT ON BUSBAR-CONDUCTOR RECOMMENDED THE SHARP MATING EDGE SHALL BE PREVENTED



DETAIL A  
SCALE 10:1



- NOTES:
- 1 PCB MUST BE SUPPORTED WHILE INSERTING THE CONNECTOR IN THE SLOTS TO AVOID BENDING OF THE BOARD.
  - 2 PLATING: SILVER PLATING OVER NICKEL UNDERLAID ON THE CONTACT.
  - 3 MATERIAL: POWER CONTACT: HIGH CONDUCTIVITY COPPER ALLOY HOUSING: THERMOPLASTIC, BLACK. UL94 V-0
  - 4 AREA FOR PART NUMBER AND DATE-CODE.
  - 5 PCB KEY DIMENSION.

TAIL LENGTH	DIM F	DIMPLE FEATURE	MATERIAL	P/N	ITEM
3.40	4.0	NO	CROWN CLIP JUNIOR BUS BAR, REFLOW	2178531-4	4
4.40	4.0	YES	CROWN CLIP JUNIOR BUS BAR	2178531-3	3
5.68	2.7	NO	CROWN CLIP JUNIOR BUS BAR	2178531-2	2
5.68	2.7	YES	CROWN CLIP JUNIOR BUS BAR	2178531-1	1

THIS DRAWING IS A CONTROLLED DOCUMENT.

DWN SUDHAKAR 24JAN13  
 CHK SUDHAKAR 24JAN13  
 APVD RAJENDRA 24JAN13

TE Connectivity

NAME PLUGGABLE BUSBAR CONNECTOR SOLDER VERSION CROWN CLIP JUNIOR

PRODUCT SPEC 108-19360-1  
 APPLICATION SPEC 114-19128

SIZE A2 CAGE CODE 00779 DRAWING NO C-2178531 RESTRICTED TO -

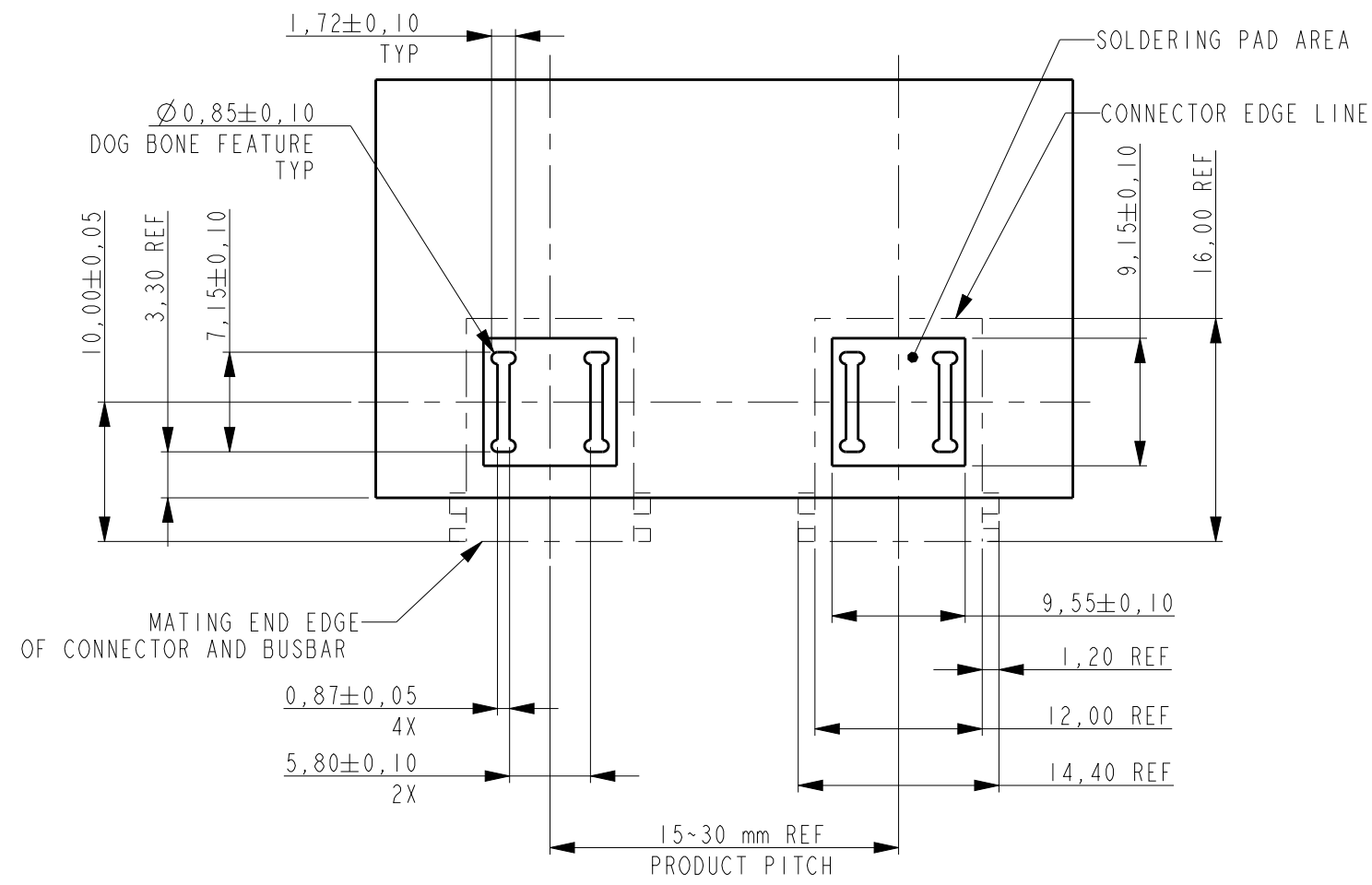
MATERIAL 3 TOLERANCES UNLESS OTHERWISE SPECIFIED: 0 PLC ±, 1 PLC ±0.3, 2 PLC ±0.20, 3 PLC ±0.050, 4 PLC ±, ANGLES ±2° FINISH 2

Customer Drawing SCALE 2:1 SHEET 1 OF 2 REV A5

THIS DRAWING IS UNPUBLISHED. RELEASED FOR PUBLICATION  
 © COPYRIGHT - BY - TE CONNECTIVITY ALL RIGHTS RESERVED.

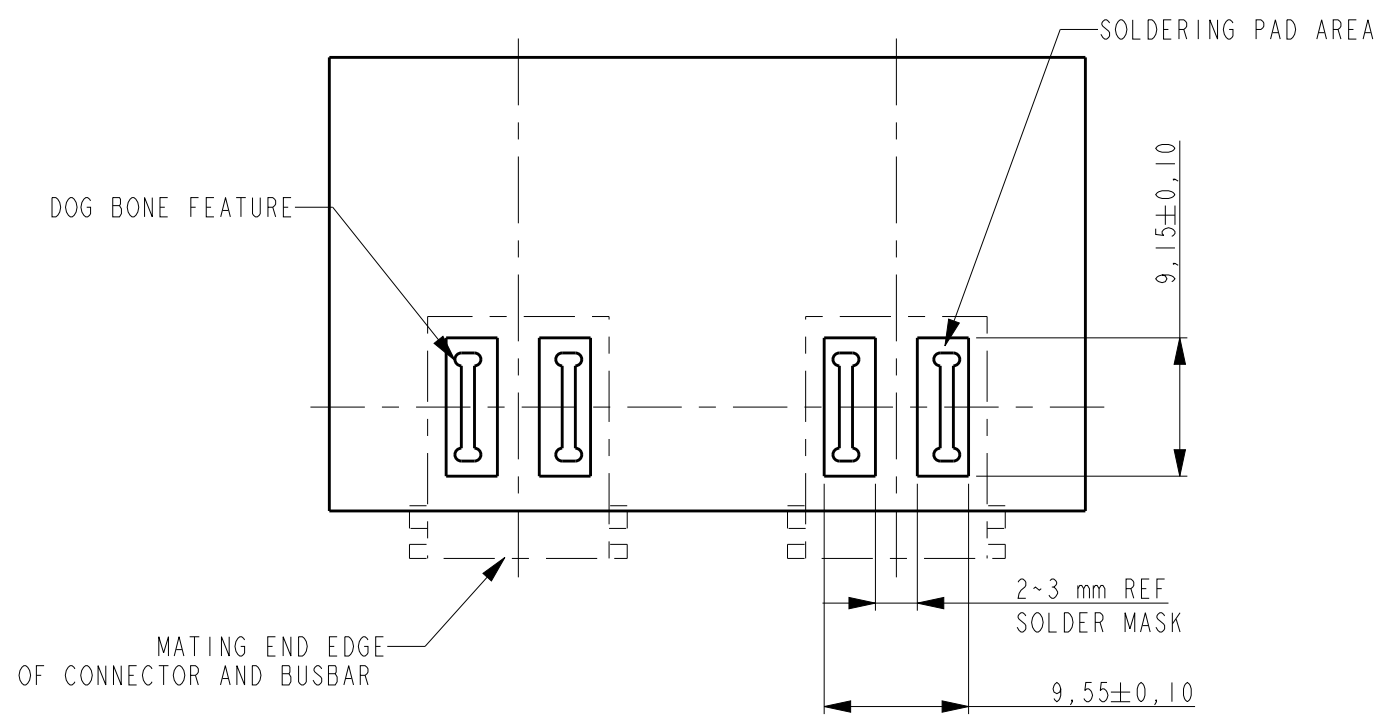
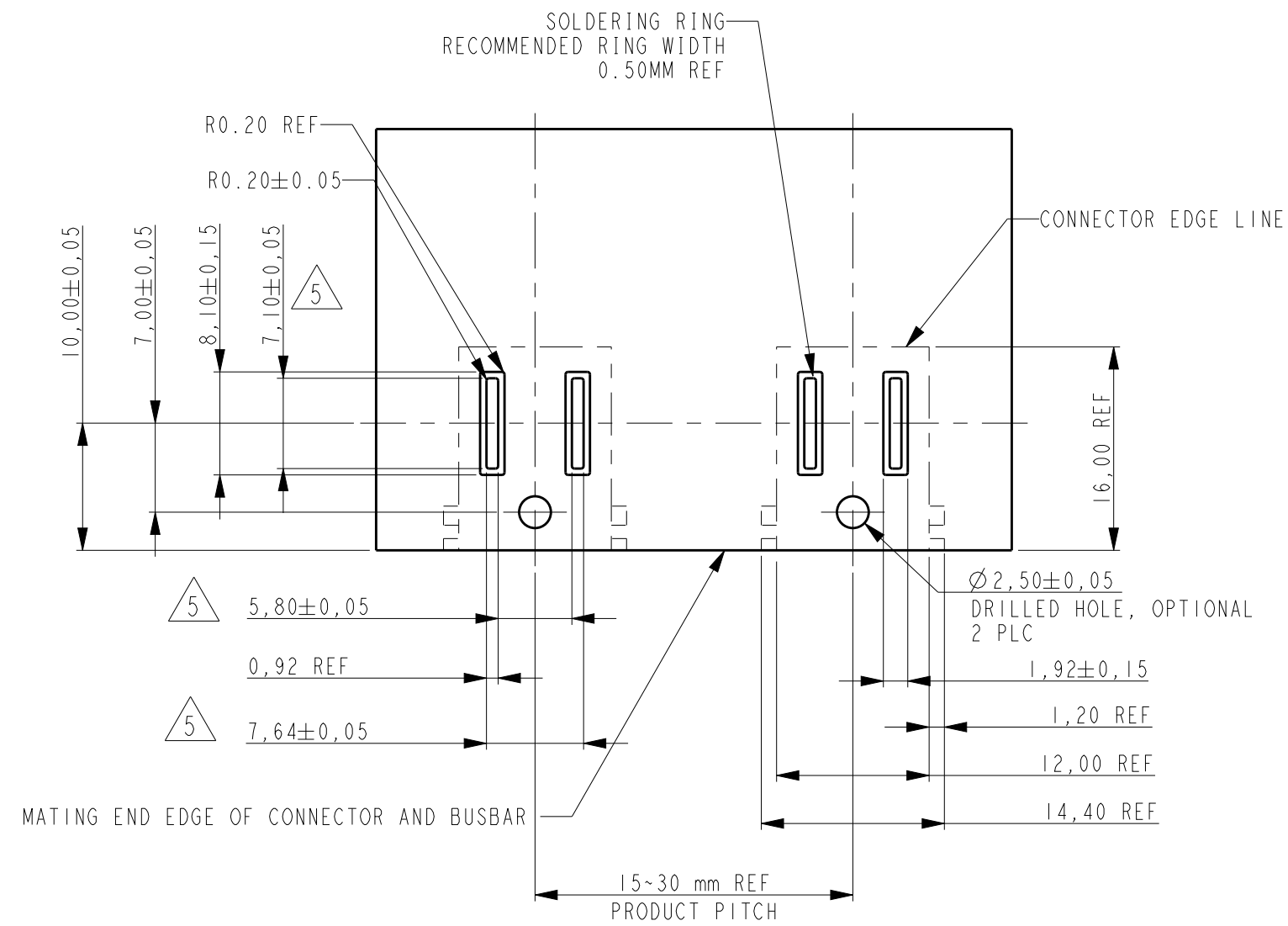
LOC	DIST	REVISIONS			
P	LTR	DESCRIPTION	DATE	DWN	APVD
ES	00	SEE SHEET 1	-	-	-

RECOMMENDED PCB LAYOUT FOR WAVE SOLDERING  
 PCB THICKNESS: 4.8mm MAX.



VIEW 1

RECOMMENDED PCB LAYOUT FOR REFLOW SOLDERING  
 PCB THICKNESS: 1.9-6.0 mm



VIEW 2.  
 SIMILAR TO VIEW 1, DIFFERENT SOLDER PAD WIDTH.

THIS DRAWING IS A CONTROLLED DOCUMENT.		DWN SUDHAKAR 24JAN13	TE Connectivity	
DIMENSIONS: mm		CHK SUDHAKAR 24JAN13		
TOLERANCES UNLESS OTHERWISE SPECIFIED:		APVD RAJENDRA 24JAN13	NAME PLUGGABLE BUSBAR CONNECTOR SOLDER VERSION CROWN CLIP JUNIOR	
0 PLC ±		PRODUCT SPEC 108-19360-1	SIZE CAGE CODE DRAWING NO RESTRICTED TO	
1 PLC ±0.3		APPLICATION SPEC 114-19128	A2 00779 C-2178531	
2 PLC ±0.20		WEIGHT -	SCALE 2:1 SHEET 2 OF 2 REV A5	
3 PLC ±0.050		Customer Drawing		
4 PLC ±				
ANGLES ±2°				
FINISH				