

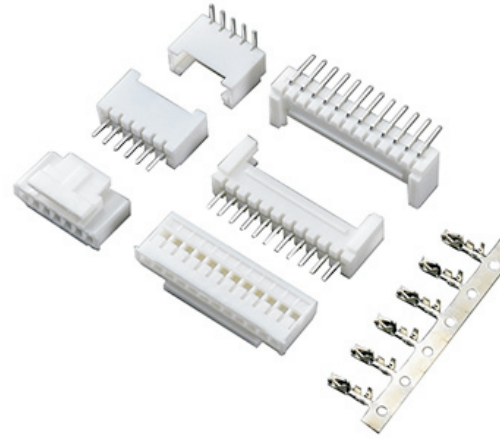
Wire To Board Connectors*Wire To Wire Connectors

KLS1-XL2-2.00

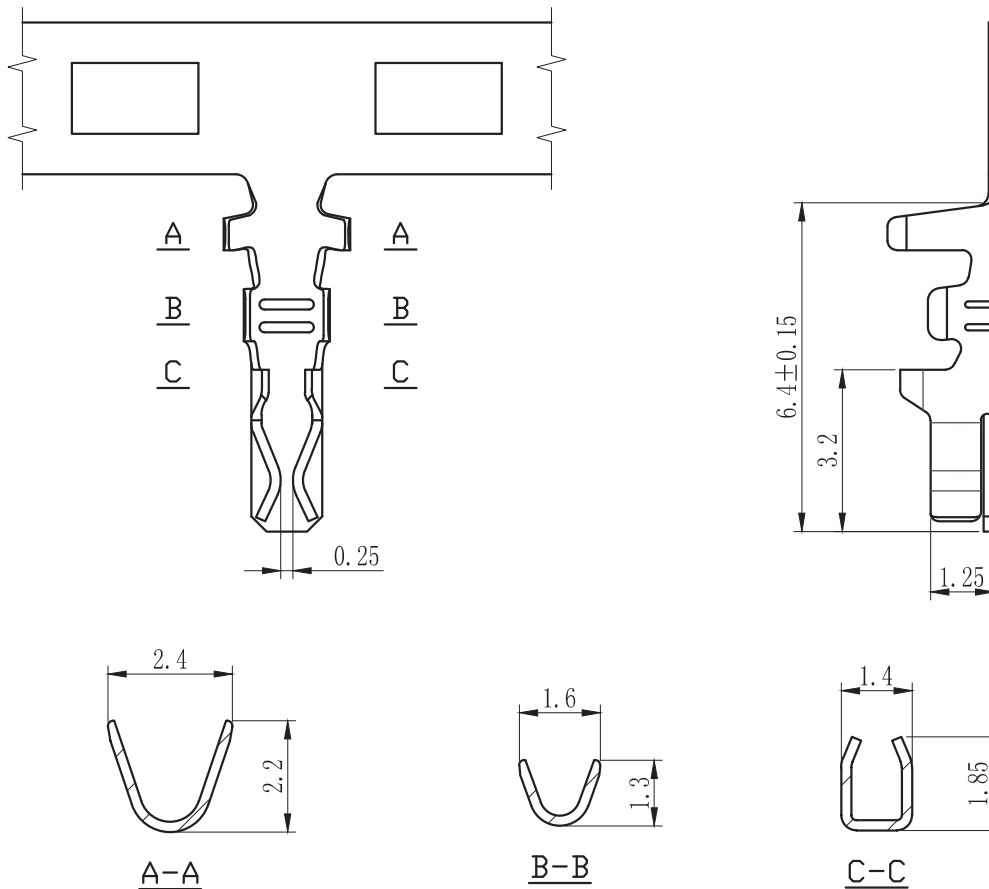
2.00mm JST PH With Lock type Wire to Board Connector

Specifications

Material:Nylon UL 94V0 (Lead Free)
 Contact:Phosphor Bronze
 Finish : Plated Tin or Gold Flash Lead over Nickel
 Current rating:3AAC,DC
 Voltage rating:250V AC,DC
 Contact resistance: $\leq 30\text{m}\Omega$
 Insulation resistance: $\geq 1000\text{m}\Omega$
 Temperature range:-25°C~+85°C
 Insulationresistance:1000M Ω /Min.
 Withstanding voltage:1000V AC/minute
 App licable wire:AWG#30 to #22



I



ORDER INFORMATION

Product NO.: KLS1-XL2-2.00-T

Series No.

Pitch: 2.00=2.00mm

Type:

H=Hosing

T=Terminal

S=Straital male pin

R= Right angle male pin

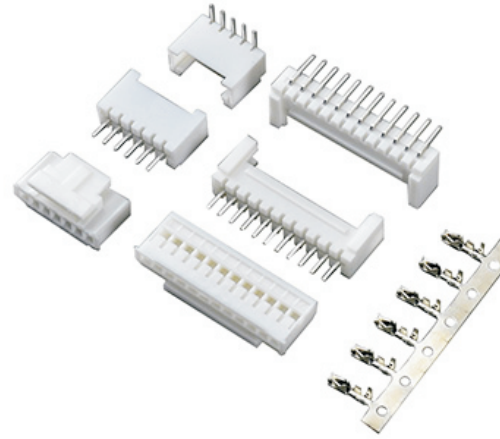
Wire To Board Connectors*Wire To Wire Connectors

KLS1-XL2-2.00

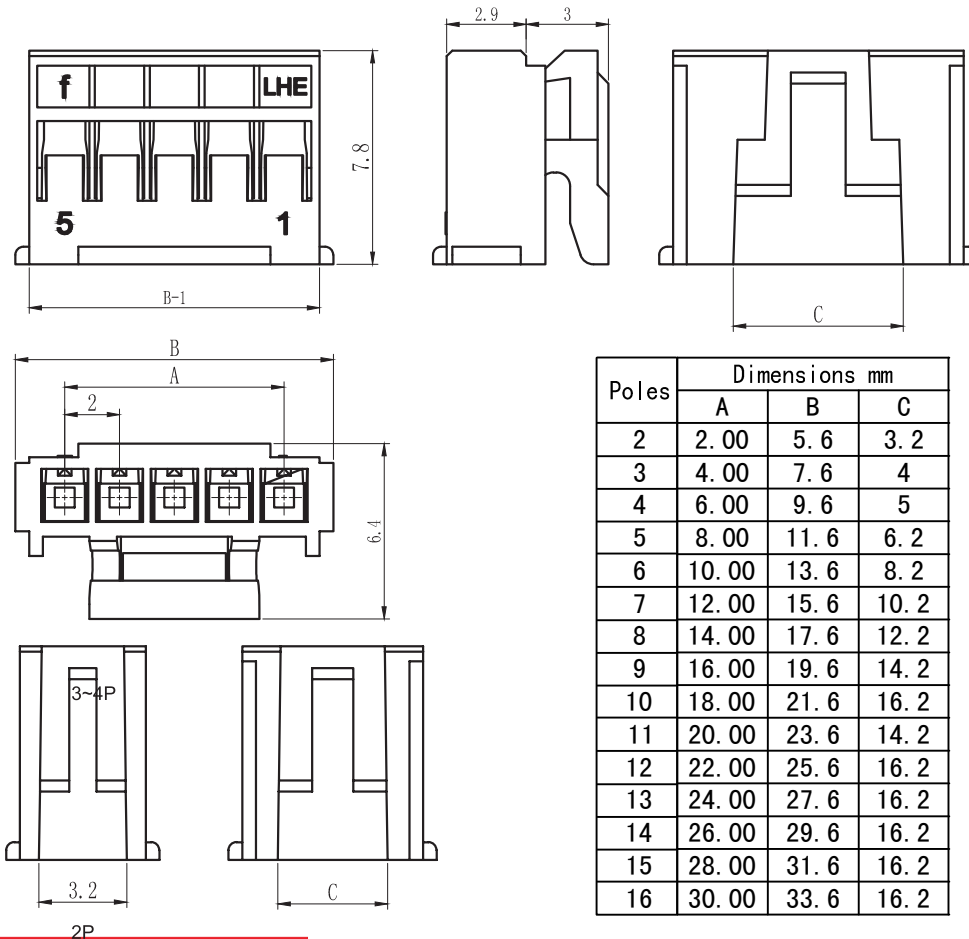
2.00mm JST PH With Lock type Wire to Board Connector

Specifications

Material:Nylon UL 94V0 (Lead Free)
 Contact:Phosphor Bronze
 Finish : Plated Tin or Gold Flash Lead over Nickel
 Current rating:3AAC,DC
 Voltage rating:250V AC,DC
 Contact resistance: $\leq 30m\Omega$
 Insulation resistance: $\geq 1000m\Omega$
 Temperature range:-25°C~+85°C
 Insulationresistance:1000M Ω /Min.
 Withstanding voltage:1000V AC/minute
 App licable wire:AWG#30 to #22



I



ORDER INFORMATION

Product NO.: KLS1-XL2-2.00-02-H

Series No. _____
 Pitch: 2.00=2.00mm _____
 PIN Number: 2~16pin _____
 Type:
 H=Hosing
 T=Terminal
 S=Straight male pin
 R= Right angle male pin

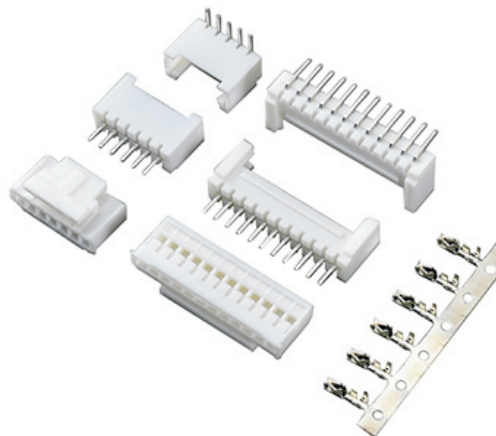
Wire To Board Connectors*Wire To Wire Connectors

KLS1-XL2-2.00

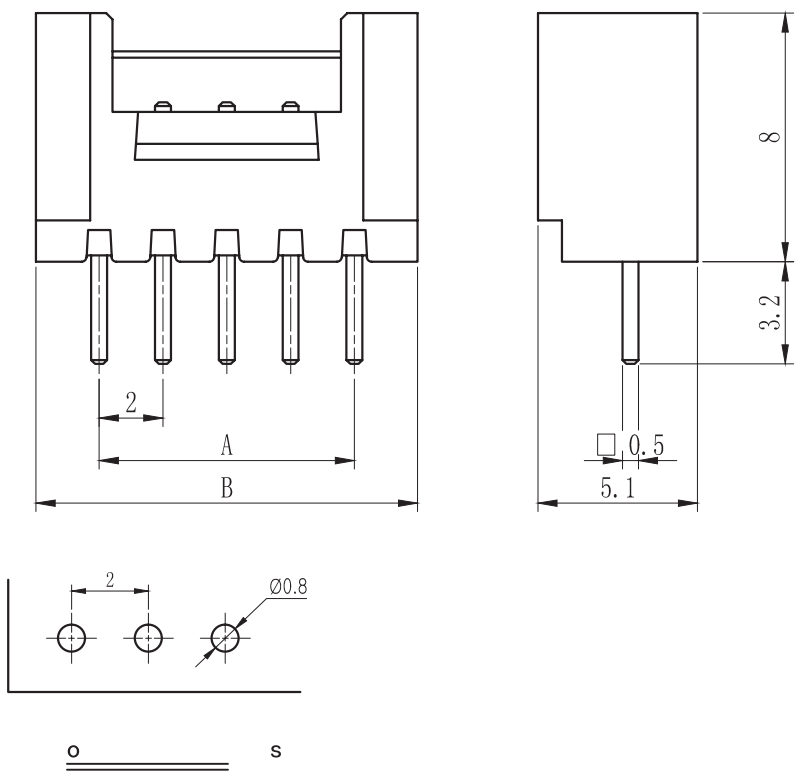
2.00mm JST PH With Lock type Wire to Board Connector

Specifications

Material:Nylon UL 94V0 (Lead Free)
 Contact:Phosphor Bronze
 Finish : Plated Tin or Gold Flash Lead over Nickel
 Current rating:3AAC,DC
 Voltage rating:250V AC,DC
 Contact resistance: $\leq 30m\Omega$
 Insulation resistance: $\geq 1000m\Omega$
 Temperature range:-25°C~+85°C
 Insulationresistance:1000M Ω /Min.
 Withstanding voltage:1000V AC/minute
 App licable wire:AWG#30 to #22



I



Poles	Dimensions mm	
	A	B
2	2.00	6.00
3	4.00	8.00
4	6.00	10.00
5	8.00	12.00
6	10.00	14.00
7	12.00	16.00
8	14.00	18.00
9	16.00	20.00
10	18.00	22.00
11	20.00	24.00
12	22.00	26.00
13	24.00	28.00
14	26.00	30.00
15	28.00	32.00
16	30.00	34.00

ORDER INFORMATION

Product NO.: KLS1-XL2-2.00-02-S

Series No. _____
 Pitch: 2.00=2.00mm _____
 PIN Number: 2~16pin _____
 Type:
 H=Hosing
 T=Terminal
 S=Straight male pin
 R= Right angle male pin

All specification & dimensions are subject to change, please call your nearest KLS sales representative for update information

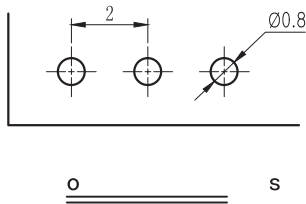
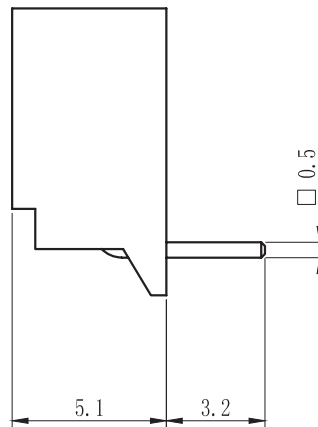
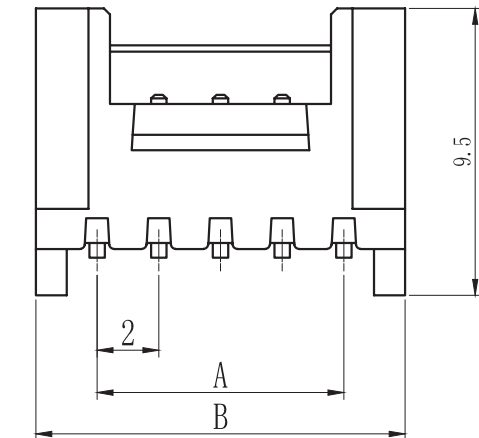
Wire To Board Connectors*Wire To Wire Connectors

KLS1-XL2-2.00

2.00mm JST PH With Lock type Wire to Board Connector

Specifications

Material:Nylon UL 94V0 (Lead Free)
 Contact:Phosphor Bronze
 Finish : Plated Tin or Gold Flash Lead over Nickel
 Current rating:3AAC,DC
 Voltage rating:250V AC,DC
 Contact resistance: $\leq 30m\Omega$
 Insulation resistance: $\geq 1000m\Omega$
 Temperature range:-25°C~+85°C
 Insulationresistance:1000M Ω /Min.
 Withstanding voltage:1000V AC/minute
 App licable wire:AWG#30 to #22



Poles	Dimensions mm	
	A	B
2	2.00	6.00
3	4.00	8.00
4	6.00	10.00
5	8.00	12.00
6	10.00	14.00
7	12.00	16.00
8	14.00	18.00
9	16.00	20.00
10	18.00	22.00
11	20.00	24.00
12	22.00	26.00
13	24.00	28.00
14	26.00	30.00
15	28.00	32.00
16	30.00	34.00

ORDER INFORMATION

Product NO.: KLS1-XL2-2.00-02-R

Series No. _____
 Pitch: 2.00=2.00mm _____
 PIN Number: 2~16pin _____
 Type:
 H=Hosing
 T=Terminal
 S=Straight male pin
 R= Right angle male pin