

SPECIFICATIONS: 

Current Rating: 5AMP
 Voltage Rating: 32V AC/DC
 Contact Resistance: 10mΩ Max.
 Dielectric Voltage: 1000V AC for one minute
 Operation Temperature: -40°C to +115°C
 Wire Range: AWG#24-26

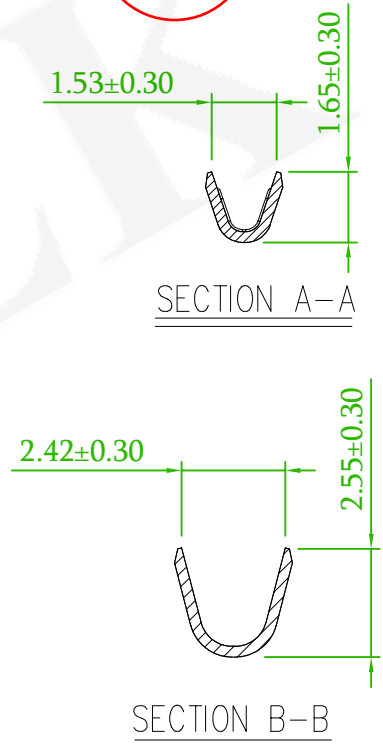
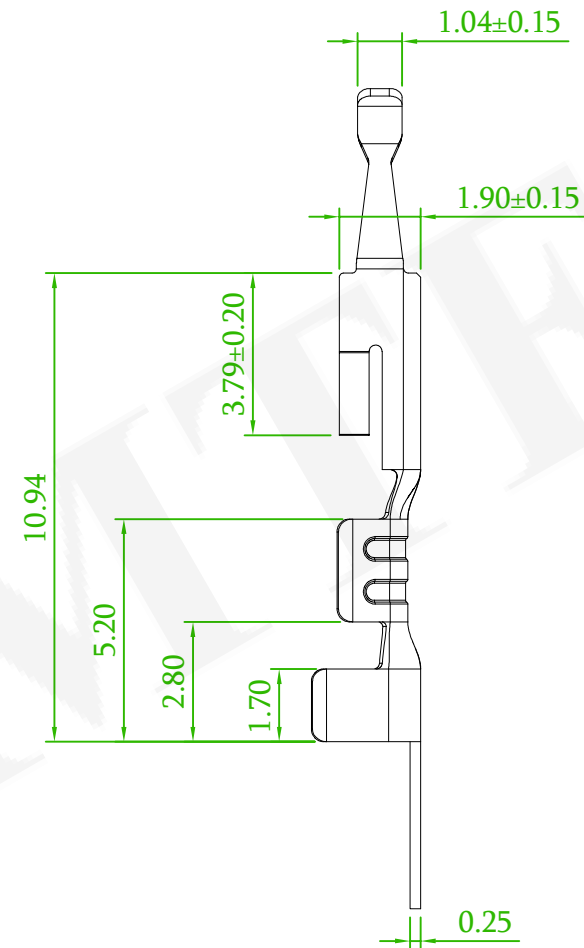
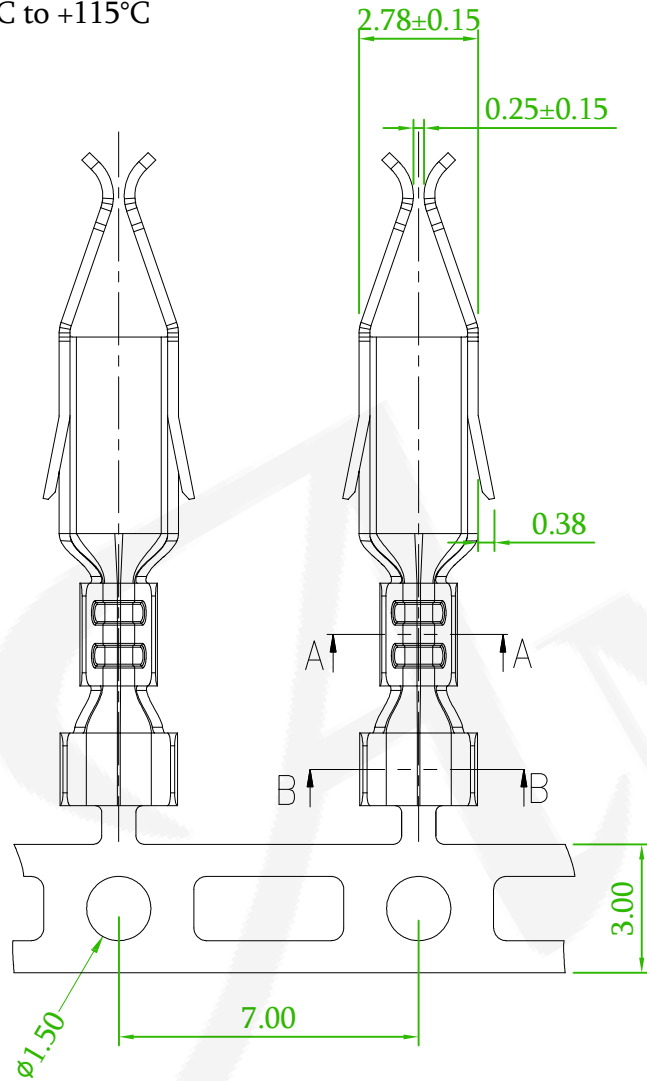

ORDER INFORMATION

5 T 2 5 2 5 N - P T 0 R M 0 1

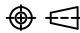
Phosphor bronze T0: Tin Plated R: Tape & Reel




AMTEK 糧德
 2023.02.07
 Released DCC

糧德精密有限公司
 Amtek Technology Co., Ltd.
 TEL: 886-2-2260-6878
 FAX: 886-2-2260-8030

品名 TITLE	TERMINAL				頁數 Page	1/1
品號 PART NO.	5T2525N-PTORM01			繪圖 DRAWN	Nick 2019/11/13	
圖號 DRAWING NO.	GN003-NI509	版本 REV.	B	核對 CHECKED	Josh 2019/11/13	
客戶品號 CUSTOMER P/N		比例 SCALE	None	承認 APPROVED	Josh 2019/11/13	
公差 TOLERANCE	.X ± 0.40 .XX ± 0.25	單位 UNIT	mm	THIRD ANGLE PROJECTION		

 x1	Add the Specifications	Benson	2023/02/07
REV.	ECN NO. OR DESCRIPTION	REVISED	DATE