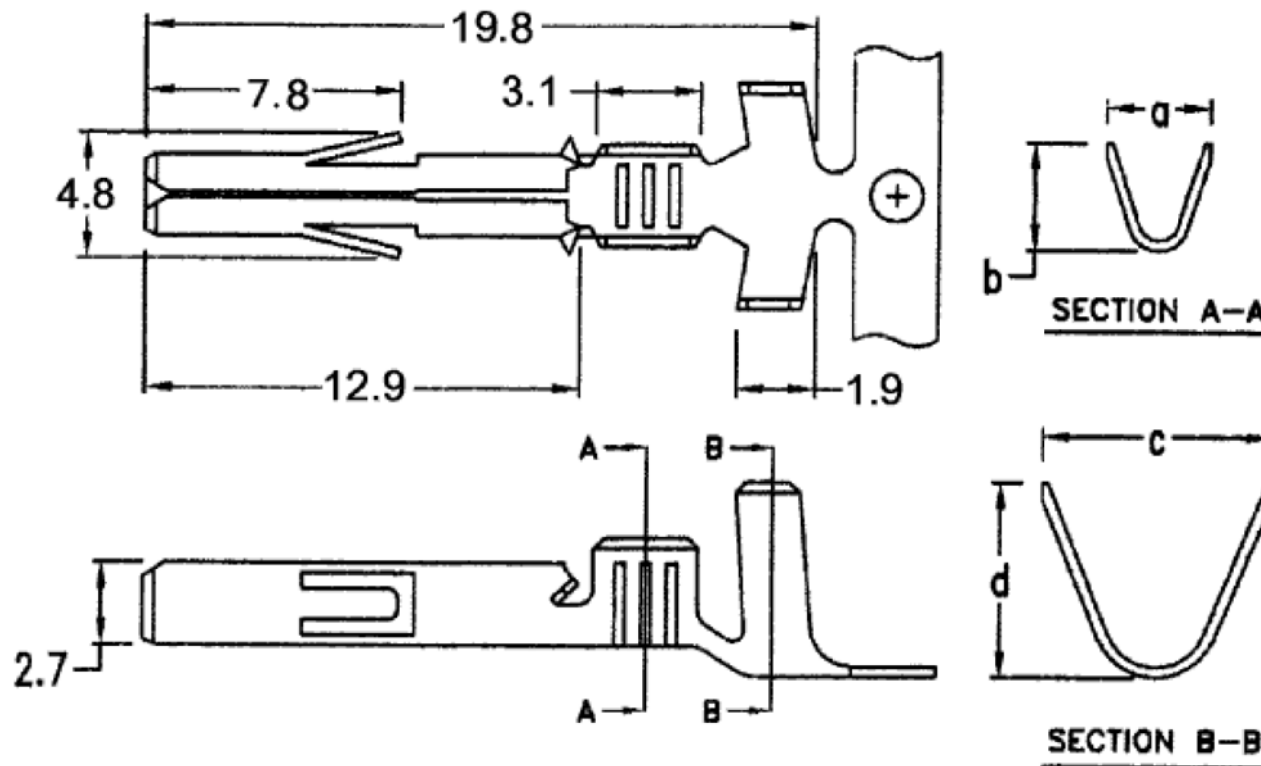


- Current rating: 13A
- Voltage rating: 600V
- Ambient temperature range: -55°C ~ 105°C



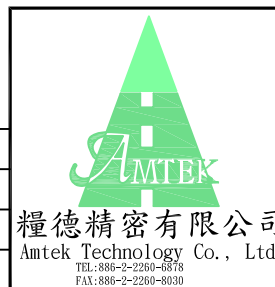
Note:

- △ a:2.9
- b:3.5
- c:4.5±0.4
- d:4.5±0.4



Ordering Information & Specifications

Part No.	Wire Range	Material	Finish
6350-FTB-L	AWG#16-#20	Brass	Tin-plated
6350-FTP-L	AWG#16-#20	Phosphor Bronze	Tin-plated



品名 TITLE	6.35mm TERMINAL				
品號 PART NO.	6350-FT-L			日期 DATE	2010/04/07
圖號 DRAWING NO.	版本 REV.	D	繪圖 DRAWN	Sam	
客戶品號 CUSTOMER P/N	比例 SCALE	FREE	核對 CHECKED	Sharron	
公差 TOLERANCE	.X ±0.25 .XX ±0.15	單位 UNIT	mm	核准 APPROVED	James

AREA	REV.	DESCRIPTION	DATE
△	D	Revised the Dim.	2016/04/18 Roy
△	C	Revised the Dim.	2016/03/17 Roy
△	B	Revised the Dim.	2010/08/05 Sinmys