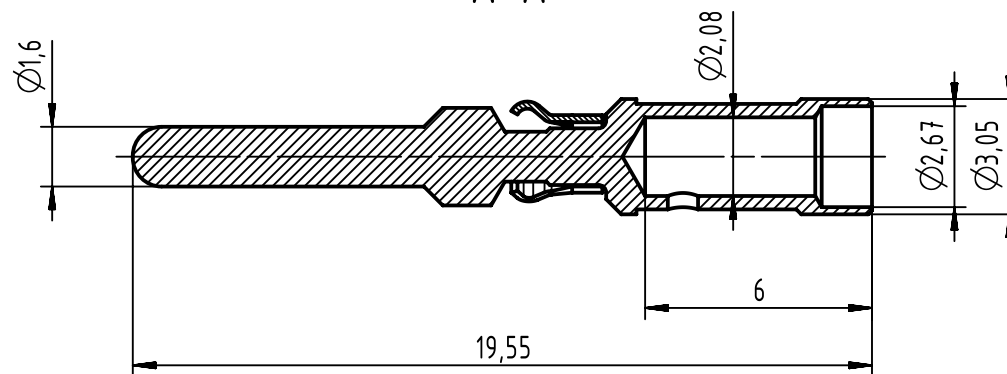


A-A



stripping length: 5mm

materials:

contact body: brass

retention clip: stainless steel

plating:

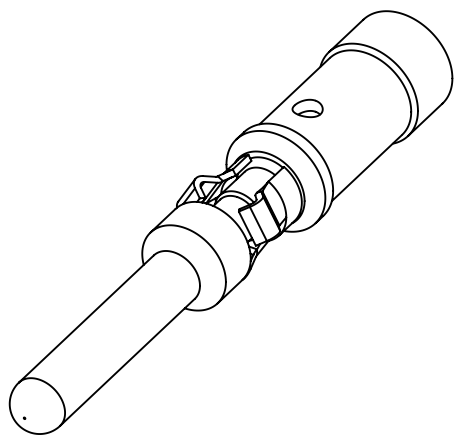
contact body: Ni/Au

retention clip: w/o.

tools:

crimping tool: 09 46 800 0000

contact insertion tool: 09 46 800 0099



	All Dimensions in mm Original Size DIN A4	Scale	Free size tol.		Ref.	
		5:1			Sub. TB 09 46 500 0401 / Mod. 36242 / 10.05.2011	
	All rights reserved	Created by	Inspected by	Standardisation	Date	State
	Department EL PD	ZWAHR	ELLERMANN	HOFFMANN	2018-08-27	Final Release
HARTING Electronics GmbH		Title				Doc-Key / ECM-Nr. 100154368/UGD/003/D 500000137418
D-32339 Espelkamp		HPP V4 crimp contact male 1.5mm ² (AWG 14/16)				
		Type	Number		Rev.	Page
		TB	09465000401		D	1/1