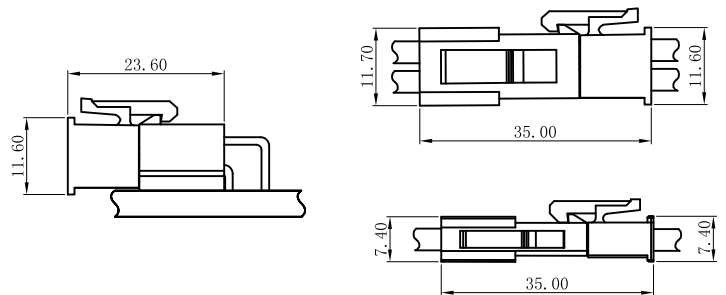


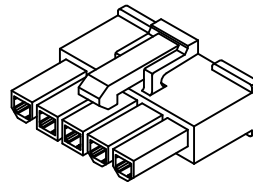
SPECIFICATIONS:

- Voltage Rating: 600V AC/DC
- Current Rating: 9A AC/DC
- Withstanding Voltage: 1500V AC/Minute
- Temperature Range: -25°C~+85°C
- Insulation Resistance: 1000MΩ Min.
- Contact Resistance: 10mΩ Max.
- Applicable Wire Range: AWG#18~24.

Assembly Layout:



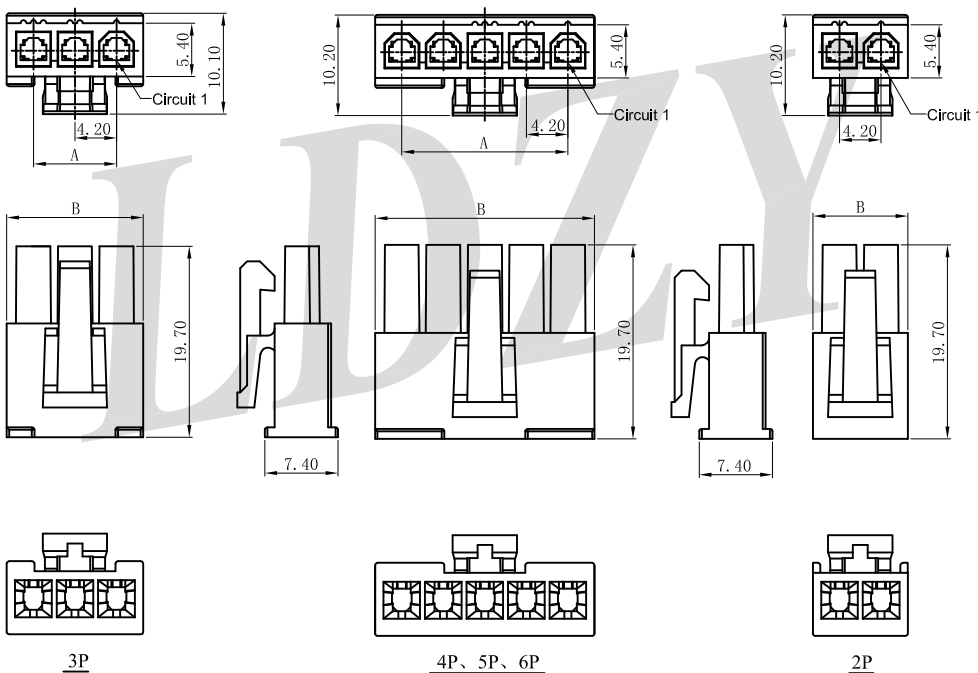
C4255HF-NP-N2XX 4.20mm Pitch Single Row Housing



Reference Informations:

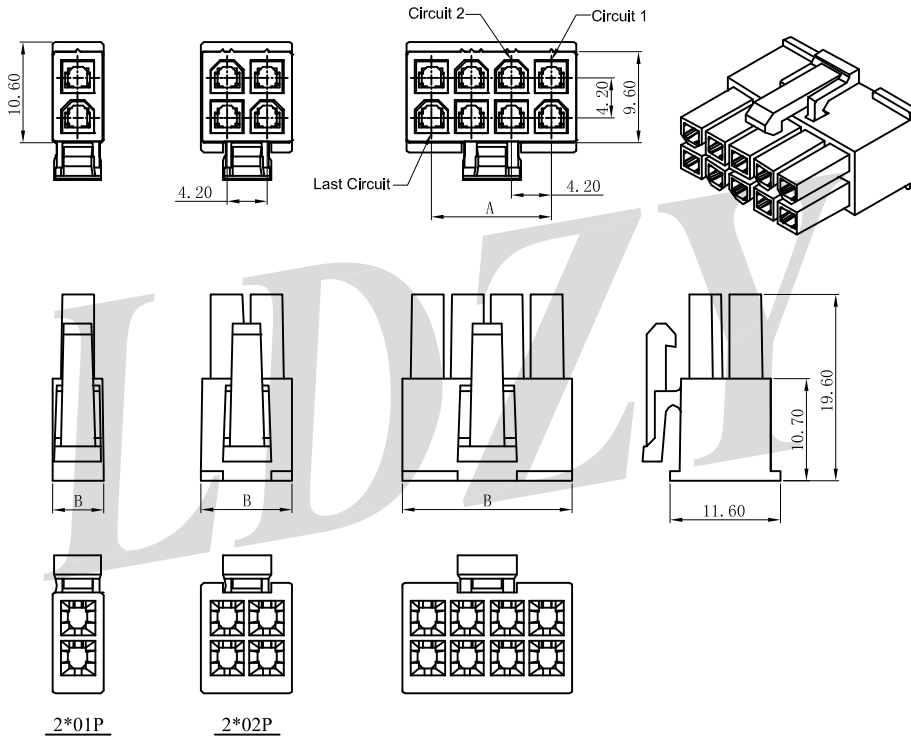
- *Material:
Housing: PA66 UL94V-2/Natural or Black
 - *Suitable LDZY C4255 series Terminal
 - *Mates with LDZY C4255 series Wafer
- Ordering Information & Dimensions

Poles	Dimensions (mm)	
	A	B
02	4.20	9.60
03	8.40	13.80
04	12.60	18.00
05	16.80	22.20
06	21.00	26.60



C4255HF-2NP-N2XX

4.20mm Pitch Dual Row Housing



Reference Informations:

*Material:

Housing: PA66 UL94V-2/Natural or Black

*Suitable LDZY C4255 series Terminal

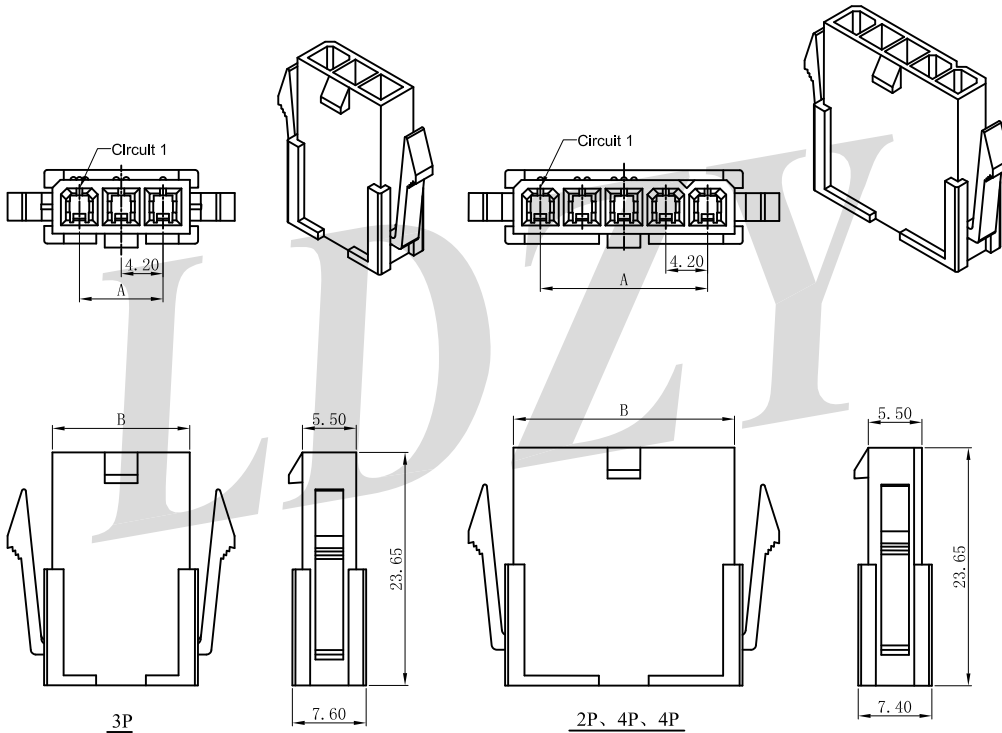
*Mates with LDZY C4255 series Wafer

Ordering Information & Dimensions

Poles	Dimensions (mm)	
	A	B
2*1P	---	5.70
2*2P	4.20	9.60
2*3P	8.40	13.80
2*4P	12.60	18.00
2*5P	16.80	22.20
2*6P	21.00	26.40
2*7P	25.20	30.60
2*8P	29.40	34.80
2*9P	33.60	39.00
2*10P	37.80	43.20
2*11P	42.00	47.40
2*12P	46.20	51.60

C4255HM-NP-N2XX

4.20mm Pitch Single Row Housing



Reference Informations:

*Material:

Housing: PA66 UL94V-2/Natural or Black

*Suitable LDZY C4255 series Terminal

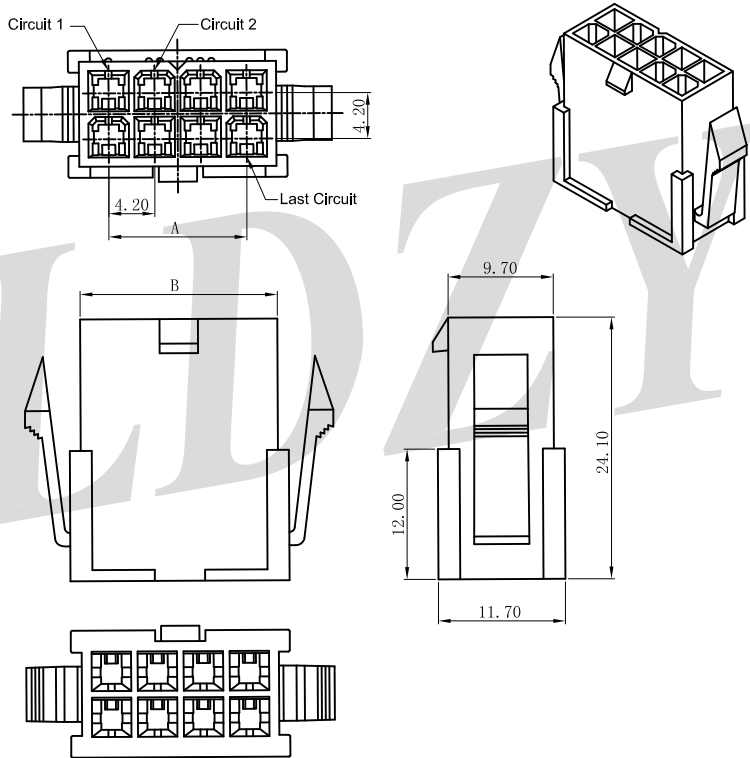
*Mates with LDZY C4255 Female Housing

Ordering Information & Dimensions

Poles	Dimensions (mm)	
	A	B
02	4.20	9.80
03	8.40	14.00
04	12.60	18.20
05	16.80	22.40
06	21.00	26.60

C4255HM-2NP-N2XX

4.20mm Pitch Dual Row Housing



Reference Informations:

*Material:

Housing: PA66 UL94V-0/Natural or Black

*Suitable LDZY C4255 series Terminal

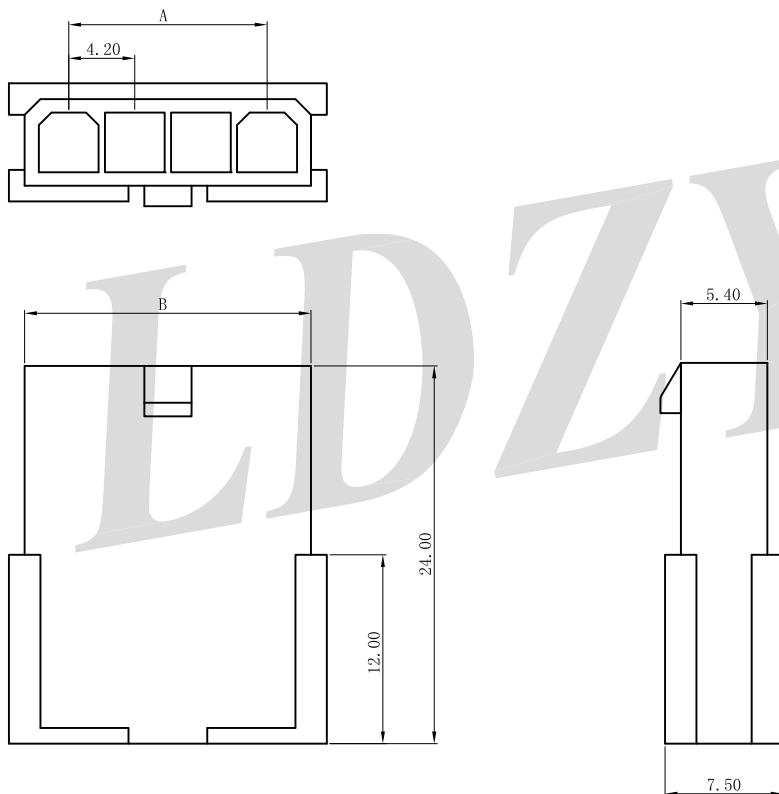
*Mates with LDZY C4255 Female Housing

Ordering Information & Dimensions

Poles	Dimensions (mm)	
	A	B
2*1P	---	5.60
2*2P	4.20	9.80
2*3P	8.40	14.00
2*4P	12.60	18.20
2*5P	16.80	22.40
2*6P	21.00	26.60
2*7P	25.20	30.80
2*8P	29.40	35.00
2*9P	33.60	39.20
2*10P	37.80	43.40
2*11P	42.00	47.60
2*12P	46.20	51.80

C4255HMA-NP-XXXX

4.20mm Pitch Single Row Housing



Reference Informations:

*Material:

Housing: PA66 UL94V-2/Natural or Black

PA66 UL94V-0/White

*Suitable LDZY C4255 series Terminal

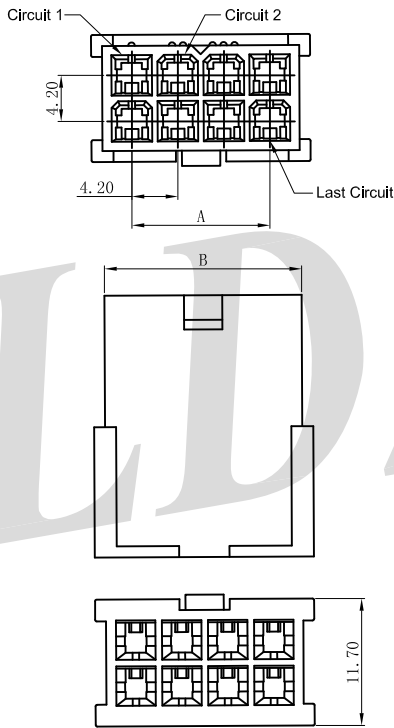
*Mates with LDZY C4255 Female Housing

Ordering Information & Dimensions

Poles	Dimensions (mm)	
	A	B
02	4.20	9.80
03	8.40	14.00
04	12.60	18.20
05	16.80	22.40
06	21.00	26.60
07	25.20	30.80
08	29.40	35.00
09	33.60	39.20
10	37.80	43.40
11	42.00	47.60
12	46.20	51.80

C4255HMA-2NP-XXXX

4.20mm Pitch Dual Row Housing



Reference Informations:

*Material:

Housing: PA66 UL94V-2/Natural or Black
PA66 UL94V-0/White

*Suitable LDZY C4255 series Terminal

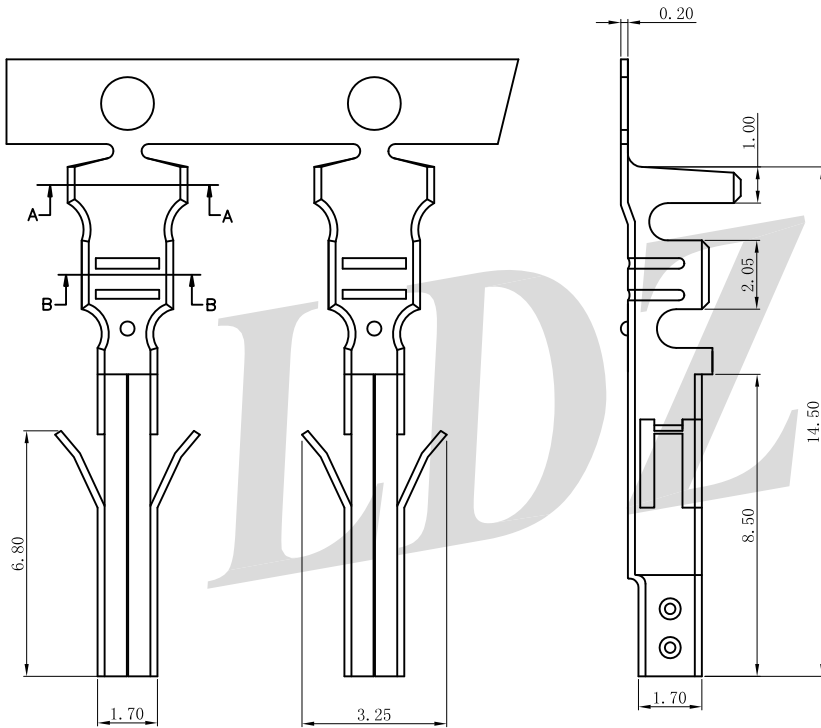
*Mates with LDZY C4255 Female Housing

Ordering Information & Dimensions

Poles	Dimensions (mm)	
	A	B
2*1P	---	5.60
2*2P	4.20	9.80
2*3P	8.40	14.00
2*4P	12.60	18.20
2*5P	16.80	22.40
2*6P	21.00	26.60
2*7P	25.20	30.80
2*8P	29.40	35.00
2*9P	33.60	39.20
2*10P	37.80	43.40
2*11P	42.00	47.60
2*12P	46.20	51.80

C4255TF-XXX

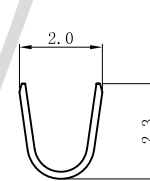
4.20mm Pitch Terminal



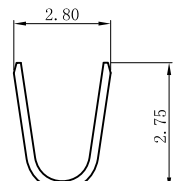
Reference Informations:

*Material: Phosphor Bronze/Tin-plated or Gold-Flash
Brass/ Tin-plated or Gold-Flash

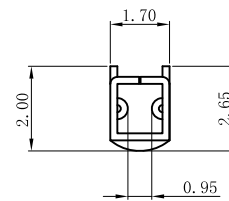
*Mates with LDZY C4255 series Housing



SEC: B-B



SEC: A-A

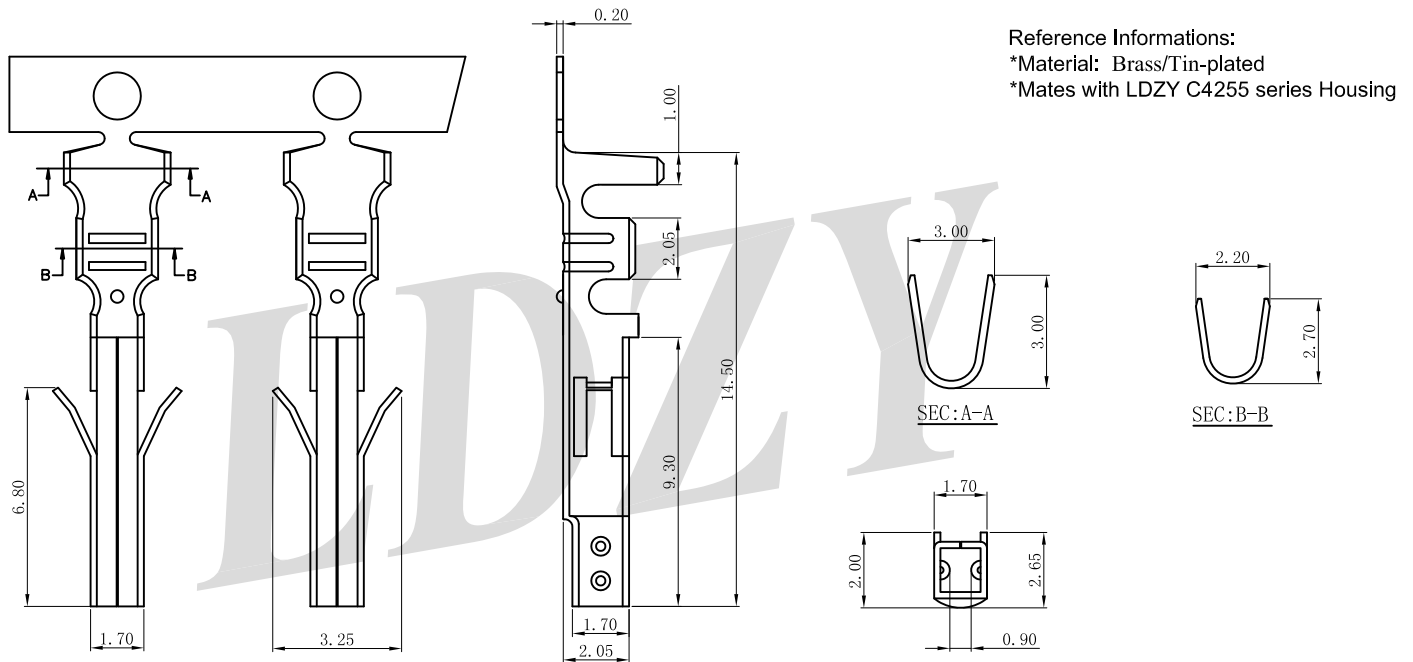


Ordering Information & Specifications

Part No	Wire Range	Insulation O.D.	Material	Finish	Qty/reel
C4255TF-PT1	AWG#18-#22	3.00mm(max)	Phosphor Bronze	Tin-plated	10,000pcs
C4255TF-PG1	AWG#18-#22	3.00mm(max)	Phosphor Bronze	Gold-flash	10,000pcs
C4255TF-BT1	AWG#18-#22	3.00mm(max)	Brass	Tin-plated	10,000pcs
C4255TF-BG1	AWG#18-#22	3.00mm(max)	Brass	Gold-flash	10,000pcs

C4255TFM-BT1

4.20mm Pitch Terminal

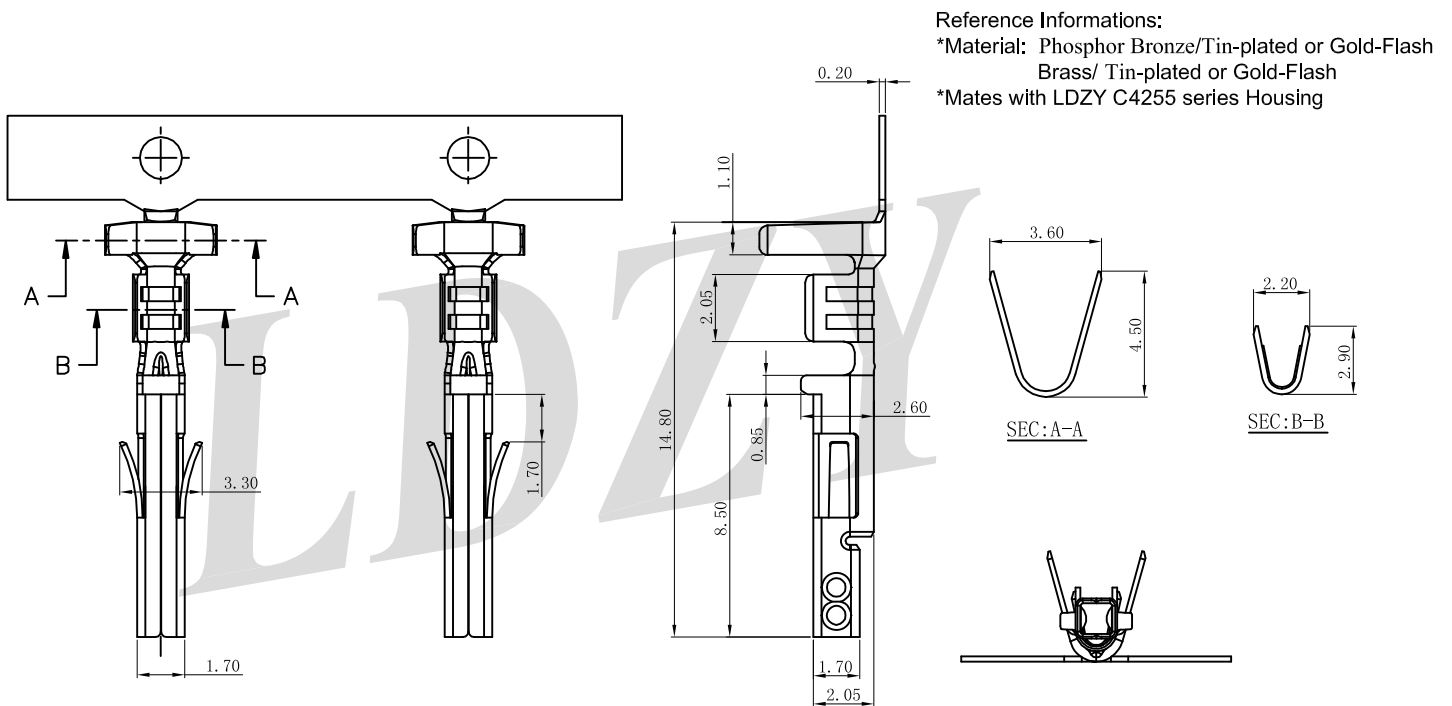


Ordering Information & Specifications

Part No	Wire Range	Insulation O.D.	Material	Finish	Qty/reel
C4255TFM-BT1	AWG#18-#22	3.00mm(max)	Brass	Tin-plated	10,000pcs

C4255TFH-XXX

4.20mm Pitch Terminal

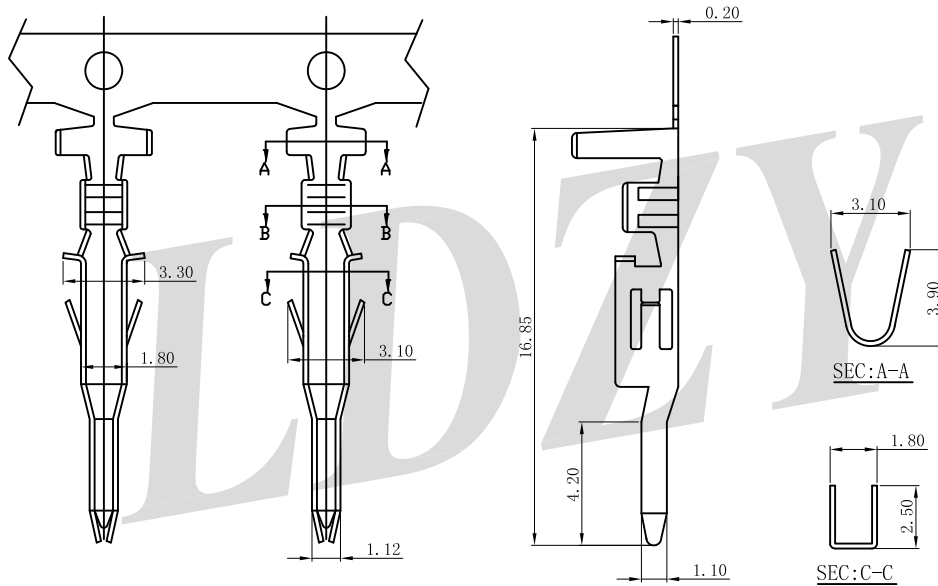


Ordering Information & Specifications

Part No	Wire Range	Insulation O.D.	Material	Finish	Qty/reel
C4255TFH-PT1	AWG#18-#22	3.00mm(max)	Phosphor Bronze	Tin-plated	5,000pcs
C4255TFH-PG1	AWG#18-#22	3.00mm(max)	Phosphor Bronze	Gold-flash	5,000pcs
C4255TFH-BT1	AWG#18-#22	3.00mm(max)	Brass	Tin-plated	5,000pcs
C4255TFH-PT1	AWG#18-#22	3.00mm(max)	Brass	Gold-flash	5,000pcs

C4255TM-BXX

4.20mm Pitch Terminal



Reference Informations:

*Material: Brass/Tin-plated or Gold-Flash

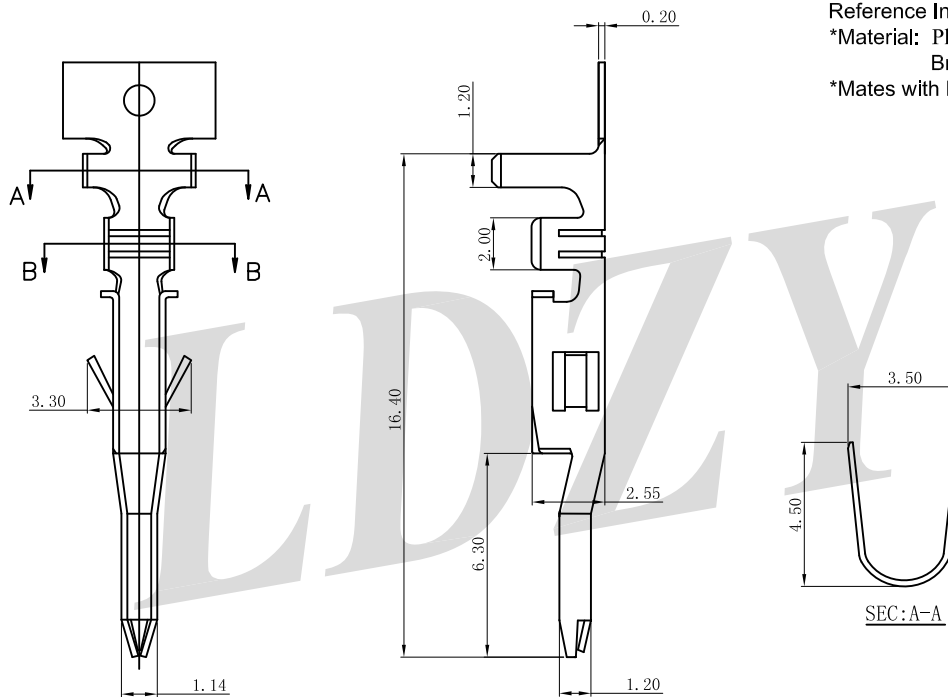
*Mates with LDZY C4255 series Housing

Ordering Information & Specifications

Part No	Wire Range	Insulation O.D.	Material	Finish	Qty/reel
C4255TM-BT1	AWG#18-#24	3.10mm(max)	Brass	Tin-plated	5,000pcs
C4255TM-BG1	AWG#18-#24	3.10mm(max)	Brass	Gold-flash	5,000pcs

C4255TMH-XT1

4.20mm Pitch Terminal



Reference Informations:

*Material: Phosphor Bronze/Tin-plated
Brass/ Tin-plated

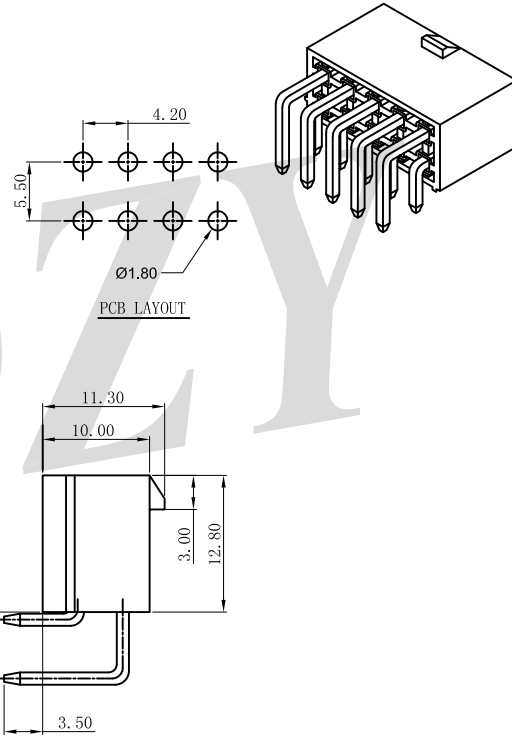
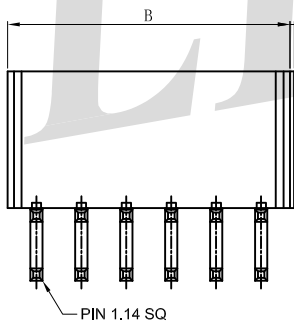
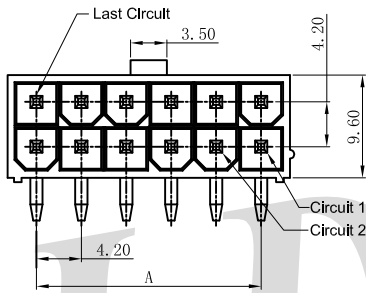
*Mates with LDZY C4255 series Housing

Ordering Information & Specifications

Part No	Wire Range	Insulation O.D.	Material	Finish	Qty/reel
C4255TMH-BT1	AWG#18-#24	3.10mm(max)	Brass	Tin-plated	5,000pcs
C4255TMH-PT1	AWG#18-#24	3.10mm(max)	Phosphor Bronze	Tin-plated	5,000pcs

C4255WR-2NP-XXXXT

4.20mm Pitch 90° Dual Row Wafer



Reference Informations:

*Material:

PIN: Brass/Tin-plated

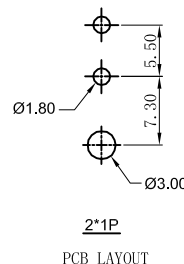
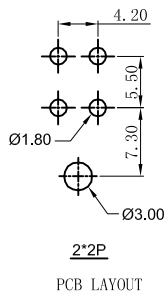
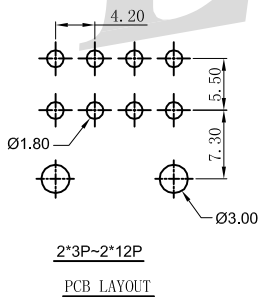
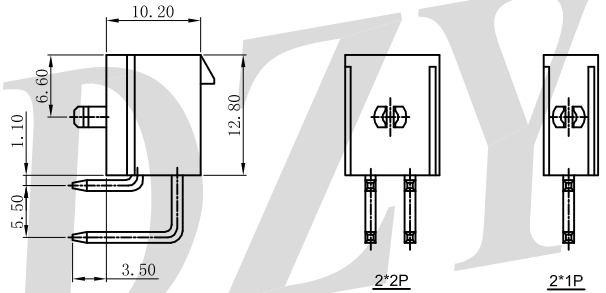
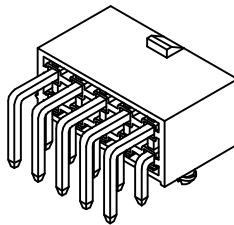
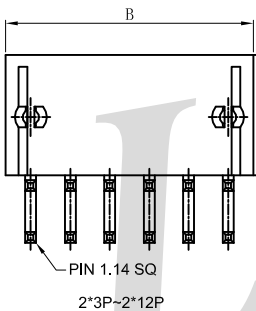
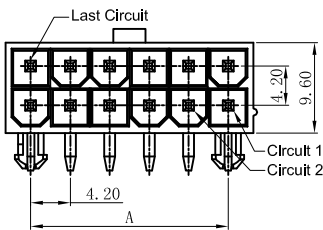
Wafer: PA66 UL94V-2/Natrual or Black
PA66 UL94V-0/White

*Suitable LDZY C4255 series Housing
Ordering Information & Dimensions

Poles	Dimensions (mm)	
	A	B
2*1P	---	5.40
2*2P	4.20	9.60
2*3P	8.40	13.80
2*4P	12.60	18.00
2*5P	16.80	22.20
2*6P	21.00	26.40
2*7P	25.20	30.60
2*8P	29.40	34.80
2*9P	33.60	39.00
2*10P	37.80	43.20
2*11P	42.00	47.40
2*12P	46.20	51.60

C4255WRA-2NP-XXXXT

4.20mm Pitch 90° Dual Row Wafer



Reference Informations:

*Material:

PIN: Brass/Tin-plated

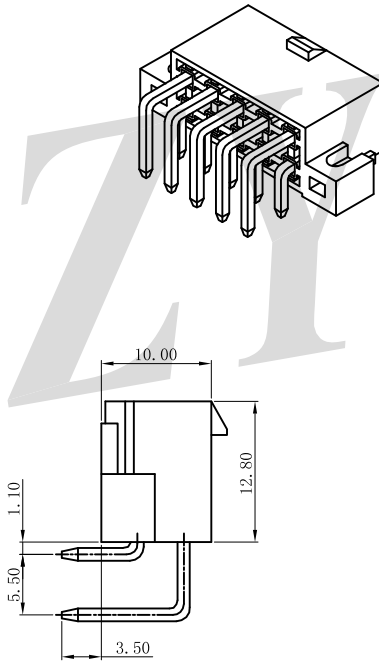
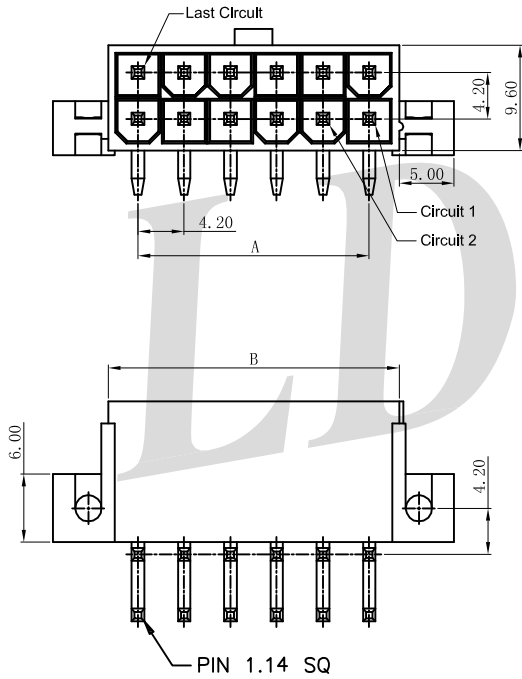
Wafer: PA66 UL94V-2/Natrual or Black
PA66 UL94V-0/White
PA9T UL94V-0/White

*Suitable LDZY C4255 series Housing
Ordering Information & Dimensions

Poles	Dimensions (mm)	
	A	B
2*1P	---	5.40
2*2P	4.20	9.60
2*3P	8.40	13.80
2*4P	12.60	18.00
2*5P	16.80	22.20
2*6P	21.00	26.40
2*7P	25.20	30.60
2*8P	29.40	34.80
2*9P	33.60	39.00
2*10P	37.80	43.20
2*11P	42.00	47.40
2*12P	46.20	51.60

C4255WRE-2NP-N2NAT

4.20mm Pitch 90° Dual Row Wafer



Reference Informations:

*Material:

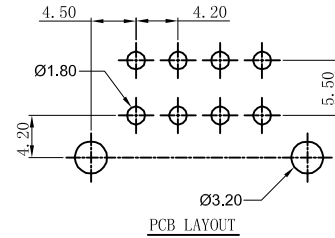
PIN: Brass/Tin-plated

Wafer: PA66 UL94V-2/Natrual

*Suitable LDZY C4255 series Housing

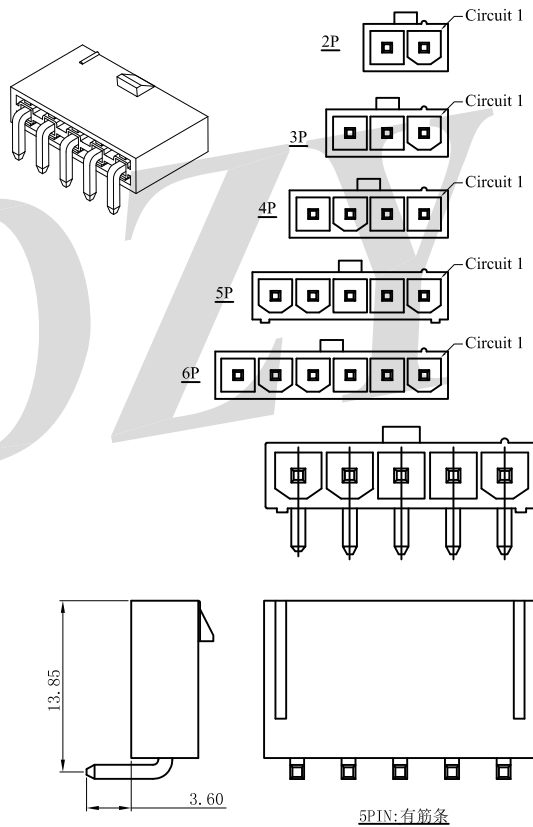
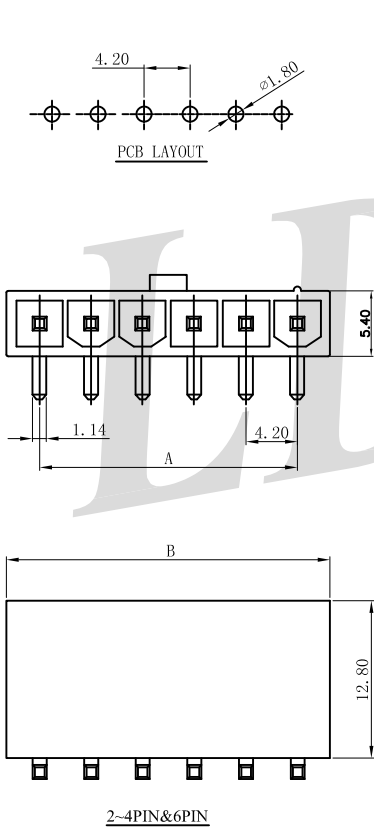
Ordering Information & Dimensions

Poles	Dimensions (mm)	
	A	B
2*1P	---	5.40
2*2P	4.20	9.60
2*3P	8.40	13.80
2*4P	12.60	18.00
2*5P	16.80	22.20
2*6P	21.00	26.40
2*7P	25.20	30.60
2*8P	29.40	34.80
2*9P	33.60	39.00
2*10P	37.80	43.20
2*11P	42.00	47.40
2*12P	46.20	51.60



C4255WR-NP-XXXXT

4.20mm Pitch 90° Single Row Wafer



Reference Informations:

*Material:

PIN: Brass/Tin-plated

Wafer: PA66 UL94V-2/Natrual or Black

PA66 UL94V-0/White

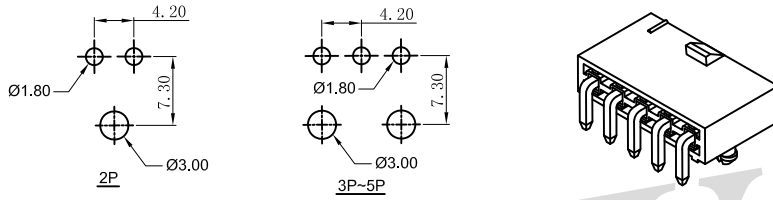
*Suitable LDZY C4255 series Housing

Ordering Information & Dimensions

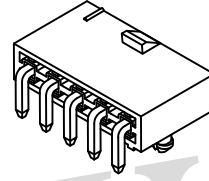
Poles	Dimensions (mm)	
	A	B
02	4.20	9.60
03	8.40	13.80
04	12.60	18.00
05	16.80	22.20
06	21.00	26.40

C4255WRA-NP-XXXXT

4.20mm Pitch 90° Single Row Wafer



PCB LAYOUT



Reference Informations:

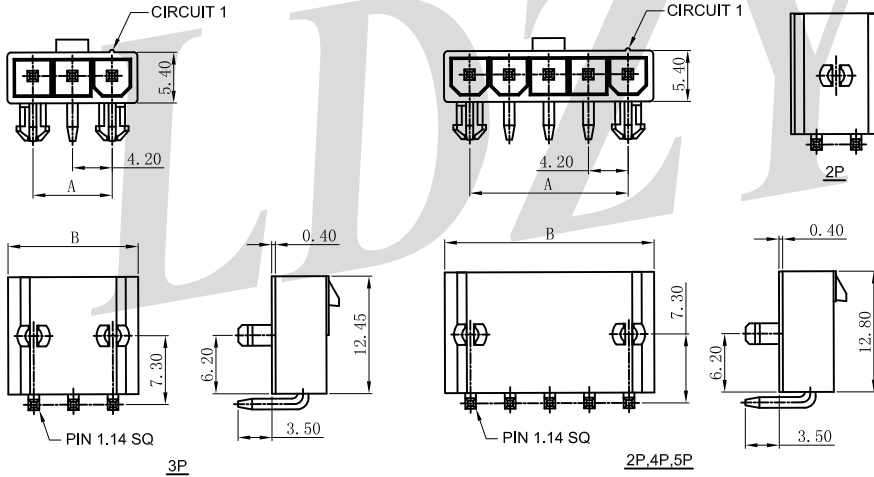
*Material:

PIN: Brass/Tin-plated

Wafer: PA66 UL94V-2/Natrual or Black
PA66 UL94V-0/White

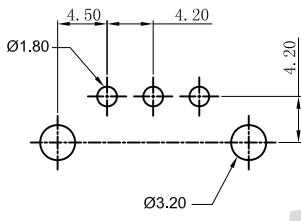
*Suitable LDZY C4255 series Housing
Ordering Information & Dimensions

Poles	Dimensions (mm)	
	A	B
02	4.20	9.90
03	8.40	14.10
04	12.60	18.30
05	16.80	22.50

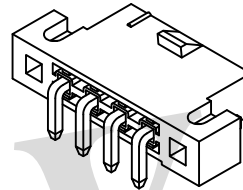


C4255WRE-NP-N2NAT

4.20mm Pitch 90° Single Row Wafer



PCB LAYOUT



Reference Informations:

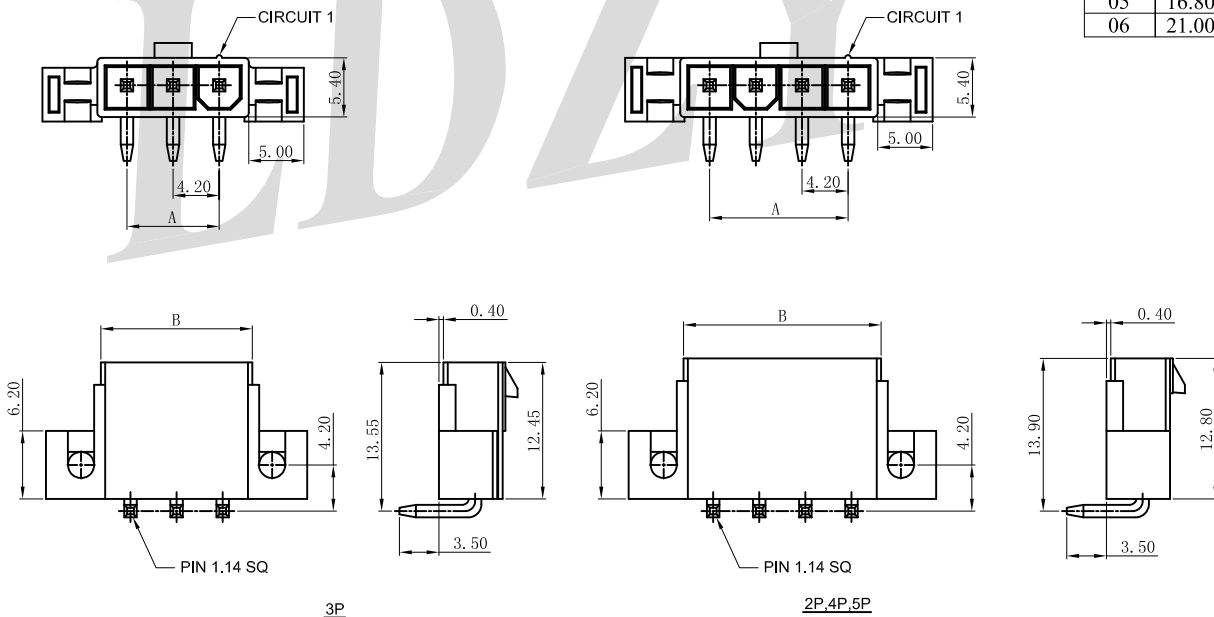
*Material:

PIN: Brass/Tin-plated

Wafer: PA66 UL94V-2/Natrual

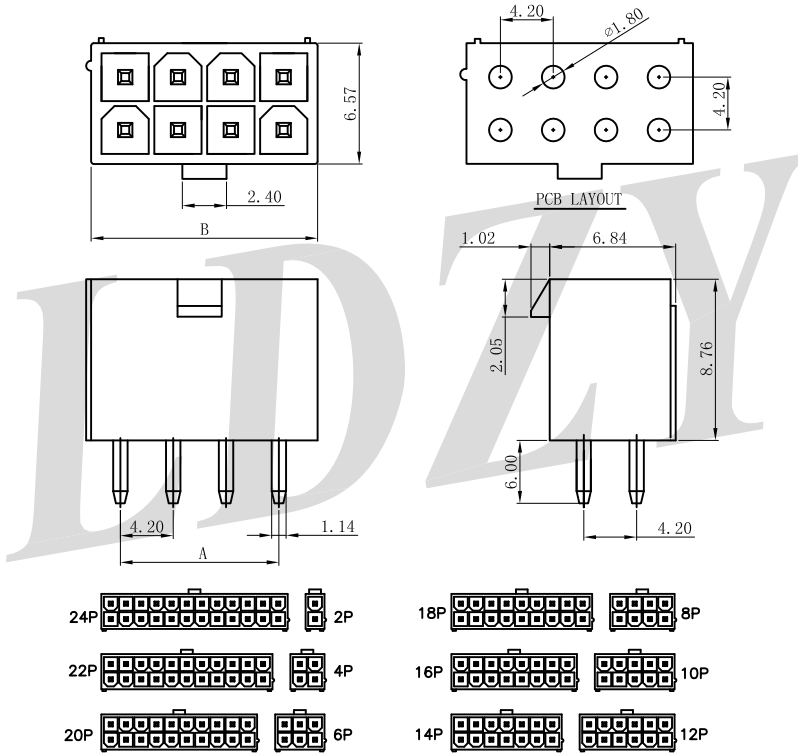
*Suitable LDZY C4255 series Housing
Ordering Information & Dimensions

Poles	Dimensions (mm)	
	A	B
02	4.20	9.60
03	8.40	13.80
04	12.60	18.00
05	16.80	22.20
06	21.00	26.40



C4255WV-2NP-XXXXT

4.20mm Pitch 180° Dual Row Wafer



Reference Informations:

*Material:

PIN: Brass/Tin-plated

Wafer: PA66 UL94V-2/Natrual or Black

PA66 UL94V-0/White

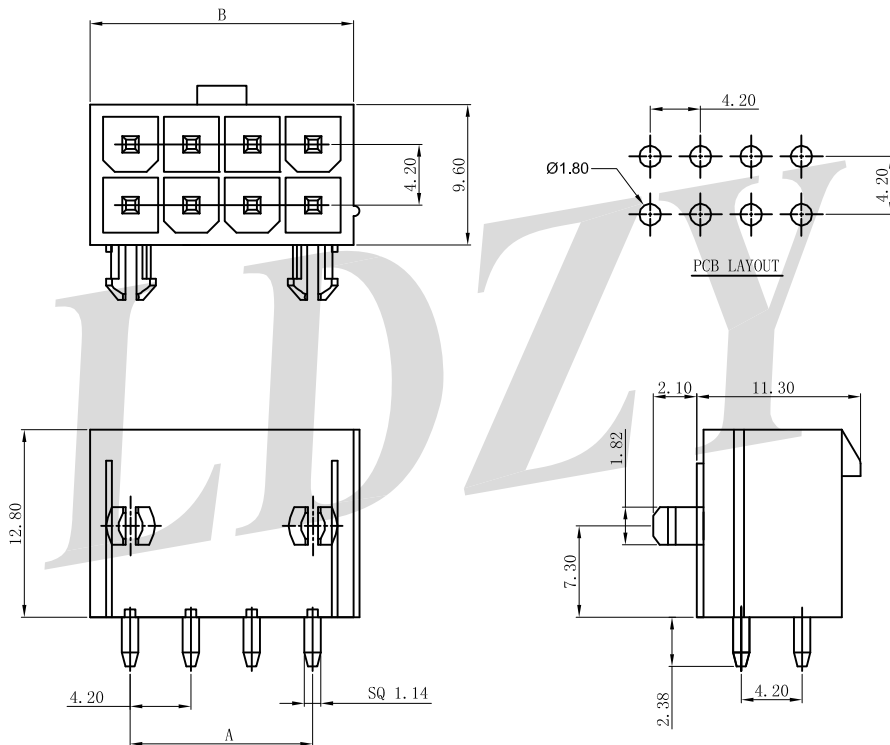
PA9T UL94V-0/Beige

*Suitable LDZY C4255 series Housing
Ordering Information & Dimensions

Poles	Dimensions (mm)	
	A	B
2*1P	---	5.40
2*2P	4.20	9.60
2*3P	8.40	13.80
2*4P	12.60	18.00
2*5P	16.80	22.20
2*6P	21.00	26.40
2*7P	25.20	30.60
2*8P	29.40	34.80
2*9P	33.60	39.00
2*10P	37.80	43.20
2*11P	42.00	47.40
2*12P	46.20	51.60

C4255WVA-2NP-N2BKT

4.20mm Pitch 180° Dual Row Wafer



Reference Informations:

*Material:

PIN: Brass/Tin-plated

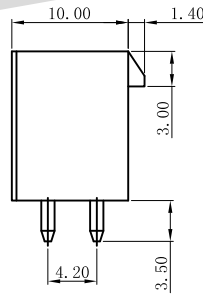
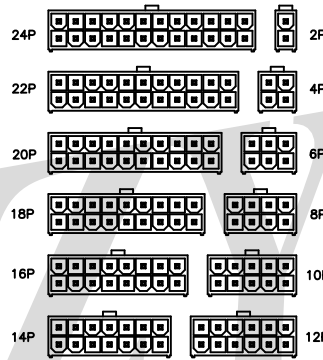
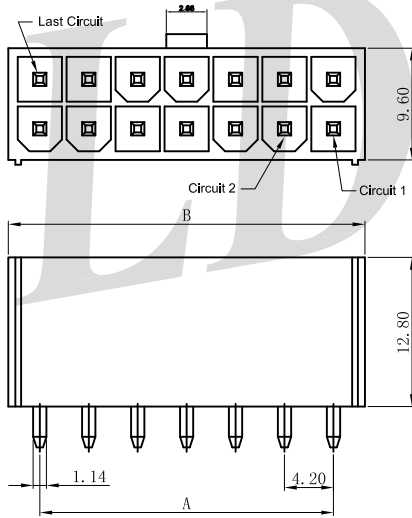
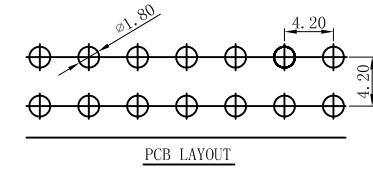
Wafer: PA66 UL94V-2/Black

*Suitable LDZY C4255 series Housing
Ordering Information & Dimensions

Poles	Dimensions (mm)	
	A	B
2*1P	---	5.40
2*2P	4.20	9.60
2*3P	8.40	13.80
2*4P	12.60	18.00
2*5P	16.80	22.20
2*6P	21.00	26.40
2*7P	25.20	30.60
2*8P	29.40	34.80
2*9P	33.60	39.00
2*10P	37.80	43.20
2*11P	42.00	47.40
2*12P	46.20	51.60

C4255WVF-2NP-XXXXT

4.20mm Pitch 180° Dual Row Wafer



Reference Informations:

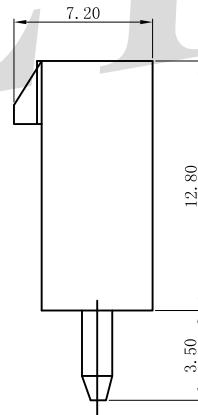
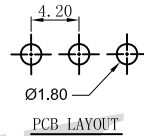
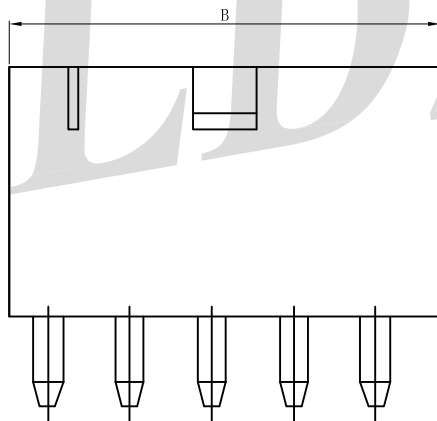
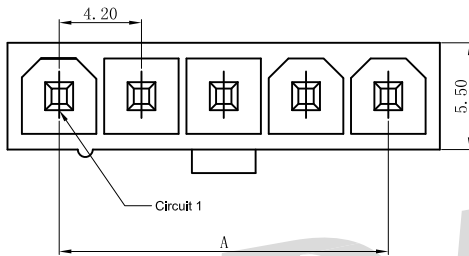
*Material:
 PIN: Brass/Tin-plated
 Wafer: PA66 UL94V-2/Natrual or Black
 PA66 UL94V-0/White

*Suitable LDZY C4255 series Housing
 Ordering Information & Dimensions

Poles	Dimensions (mm)	
	A	B
2*1P	---	5.40
2*2P	4.20	9.60
2*3P	8.40	13.80
2*4P	12.60	18.00
2*5P	16.80	22.20
2*6P	21.00	26.40
2*7P	25.20	30.60
2*8P	29.40	34.80
2*9P	33.60	39.00
2*10P	37.80	43.20
2*11P	42.00	47.40
2*12P	46.20	51.60

C4255WVA-NP-N2XXT

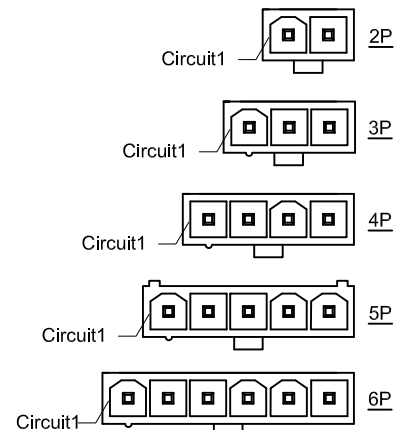
4.20mm Pitch 180° Single Row Wafer



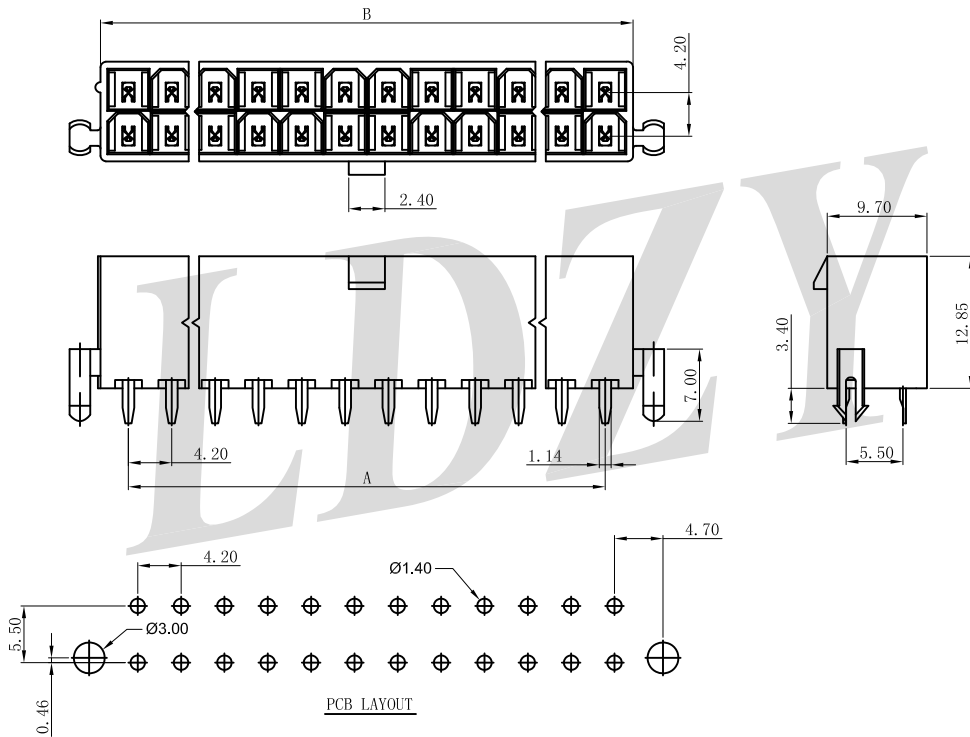
Reference Informations:

*Material:
 PIN: Brass/Tin-plated
 Wafer: PA66 UL94V-2/Natrual or Black
 *Suitable LDZY C4255 series Housing
 Ordering Information & Dimensions

Poles	Dimensions (mm)	
	A	B
02	4.20	9.60
03	8.40	13.80
04	12.60	18.00
05	16.80	22.20
06	21.00	26.40



C4255WVAK-2NP-XXXXT 4.20mm Pitch 180° Dual Row Wafer



Reference Informations:

*Material:

PIN: Brass/Tin-plated

Wafer: PA66 UL94V-2/Natrual

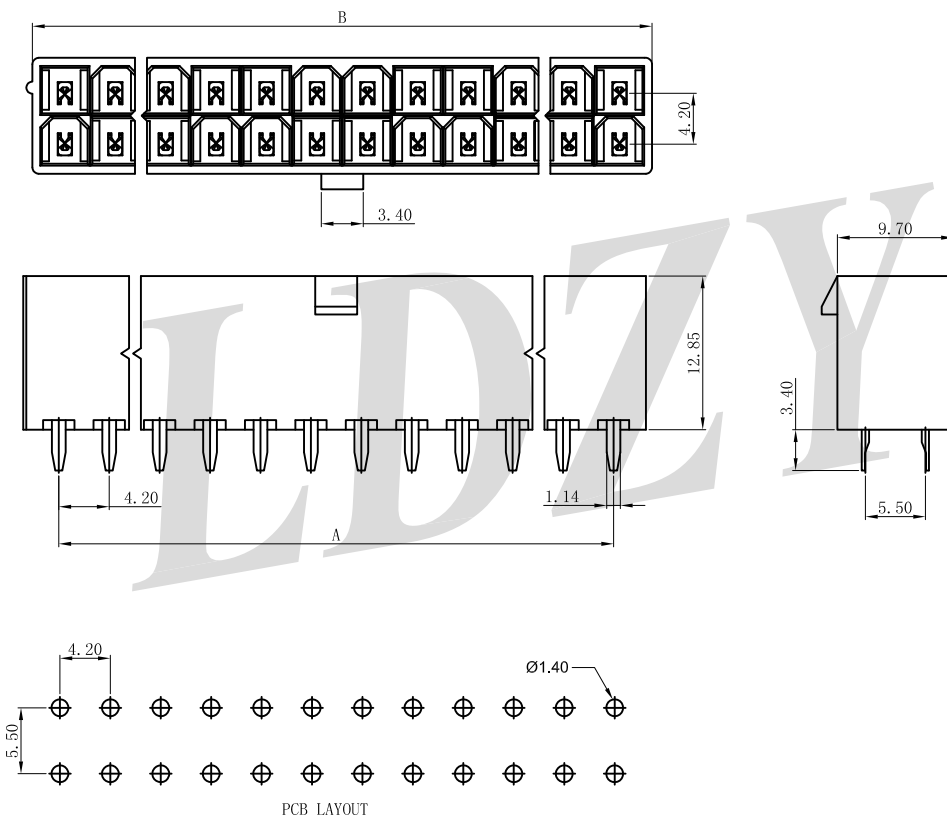
PA66 UL94V-0/Natrual

*Suitable LDZY C4255 series Housing

Ordering Information & Dimensions

Poles	Dimensions (mm)	
	A	B
2*1P	---	5.60
2*2P	4.20	9.80
2*3P	8.40	14.00
2*4P	12.60	18.20
2*5P	16.80	22.40
2*6P	21.00	26.60
2*7P	25.20	30.80
2*8P	29.40	35.00
2*9P	33.60	39.20
2*10P	37.80	43.40
2*11P	42.00	47.60
2*12P	46.20	51.80

C4255WVK-2NP-XXXXT 4.20mm Pitch 180° Dual Row Wafer



Reference Informations:

*Material:

PIN: Brass/Tin-plated

Wafer: PA66 UL94V-2/Natrual

PA66 UL94V-0/White

*Suitable LDZY C4255 series Housing

Ordering Information & Dimensions

Poles	Dimensions (mm)	
	A	B
2*1P	---	5.60
2*2P	4.20	9.80
2*3P	8.40	14.00
2*4P	12.60	18.20
2*5P	16.80	22.40
2*6P	21.00	26.60
2*7P	25.20	30.80
2*8P	29.40	35.00
2*9P	33.60	39.20
2*10P	37.80	43.40
2*11P	42.00	47.60
2*12P	46.20	51.80

C4255WVAK-NP-N2NAT

4.20mm Pitch 180° Single Row Wafer

Reference Informations:

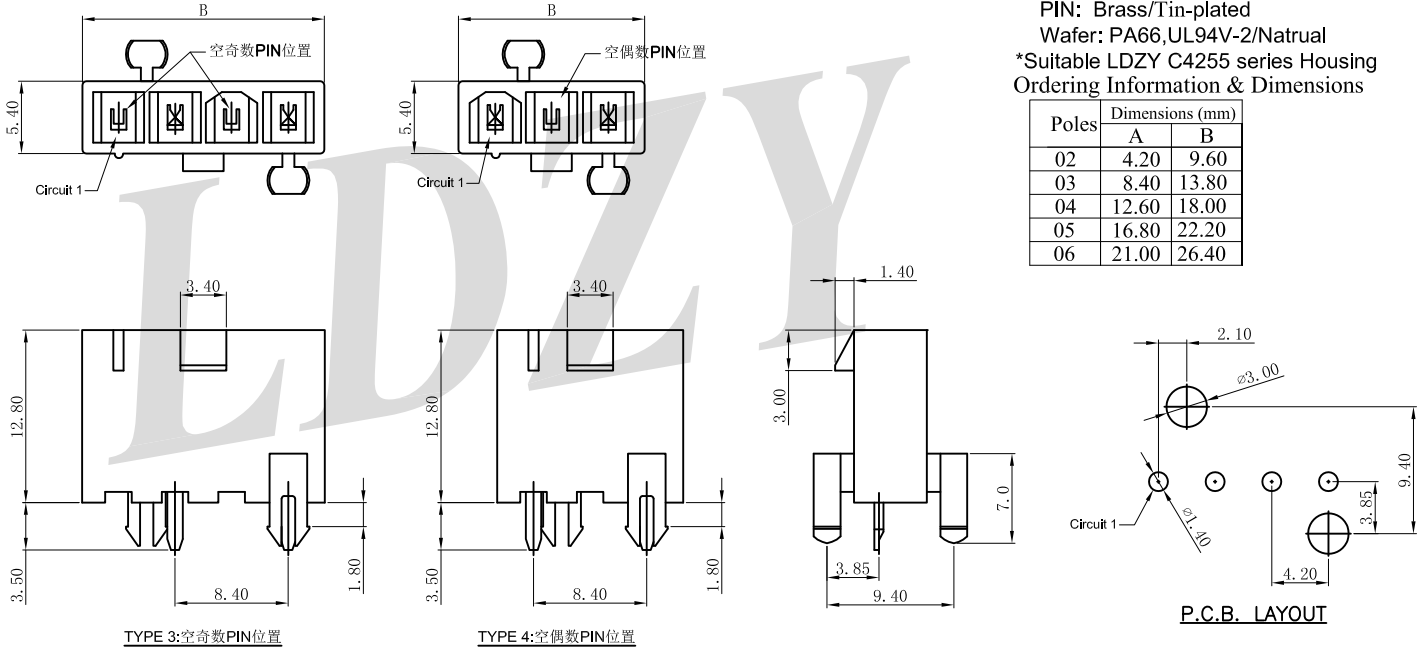
*Material:

PIN: Brass/Tin-plated

Wafer: PA66,UL94V-2/Natrua

*Suitable LDZY C4255 series Housing
Ordering Information & Dimensions

Poles	Dimensions (mm)	
	A	B
02	4.20	9.60
03	8.40	13.80
04	12.60	18.00
05	16.80	22.20
06	21.00	26.40



C4255WVK-NP-N2NAT

4.20mm Pitch 180° Single Row Wafer

Reference Informations:

*Material:

PIN: Brass/Tin-plated

Wafer: PA66,UL94V-2/Natrua

*Suitable LDZY C4255 series Housing
Ordering Information & Dimensions

Poles	Dimensions (mm)	
	A	B
02	4.20	9.60
03	8.40	13.80
04	12.60	18.00
05	16.80	22.20
06	21.00	26.40

