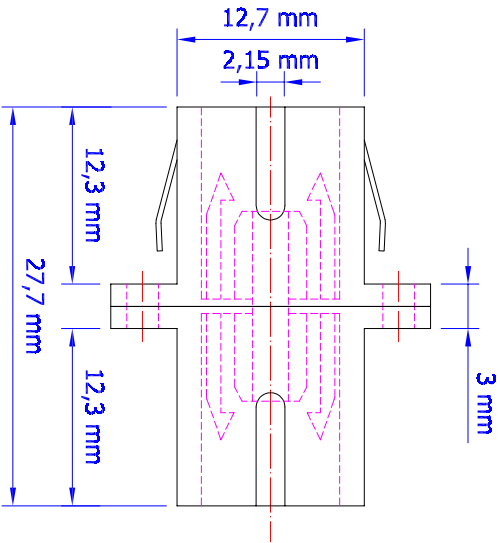
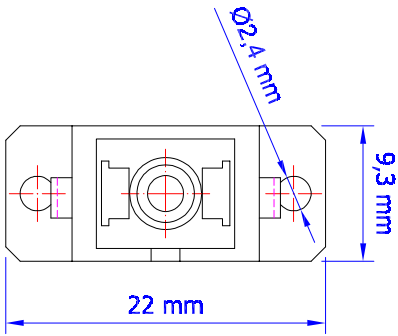



VIEW	TOLERANCE
0-10	±1
11-250	±5
251-500	±10
501-1000	±20
1001-3000	±50
3001-5000	±100
5001 - >	±150

UNIT: mm



Date	27.01.2023	Rev.	Revision Detail	Rev.Dt.	Rev/by	Part No
Designed by	Zeynep ŞAHİN					SC/PC OM3 SX Plastic Adapter
Checked by	Fatih BOLACA					
						
Drawing Nr.	FO-06F91N1S01M	Scale	NONE	Sheet No	1/1	

1

2

3

4

5

6

A4