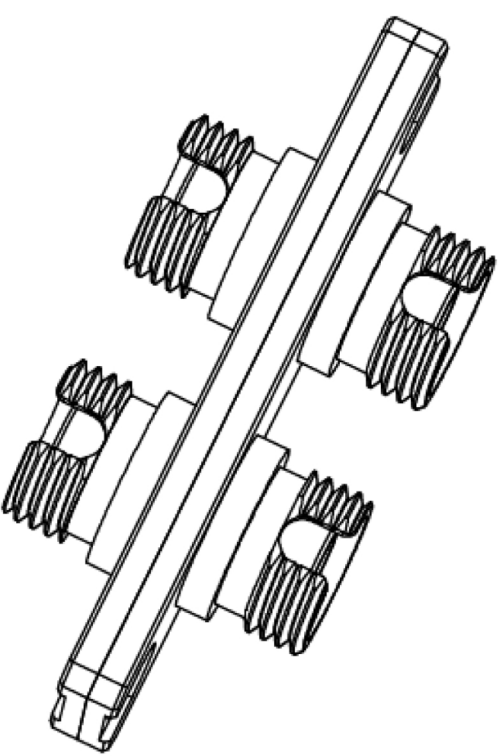
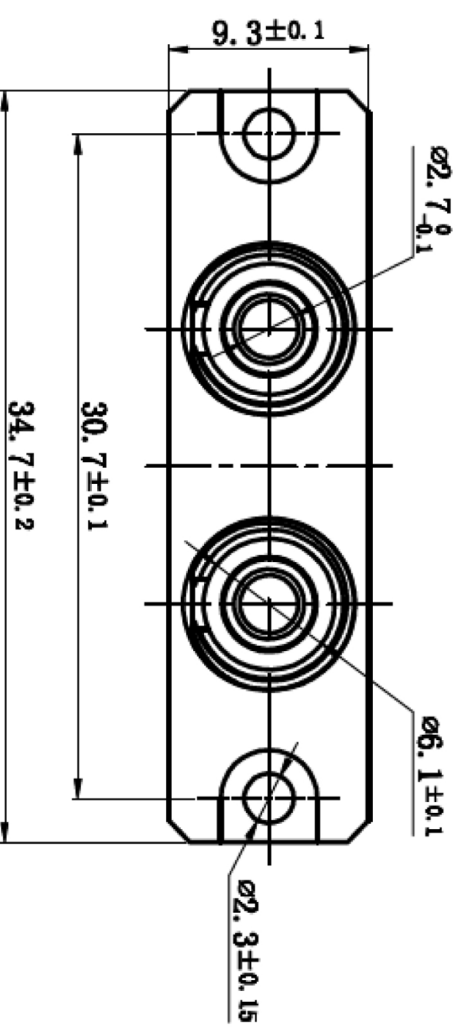
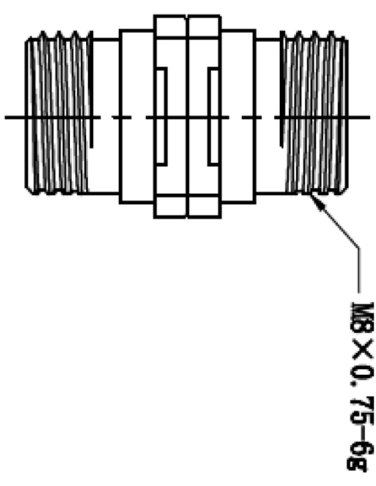
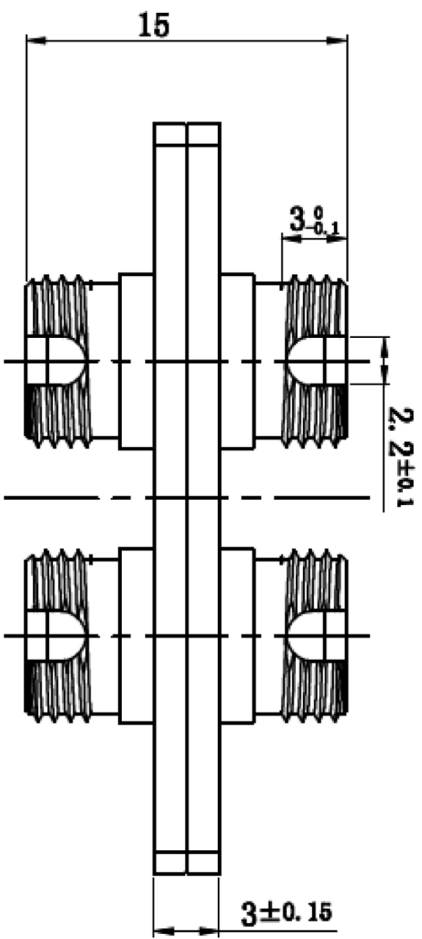


VIEW	TOLERANCE
	±1
	±5
	±10
	±20
	±50
	±100
	±150

UNT: mm
5001: >



Date	22.03.2023	Rev.	-	Revision Detail	Rev.Dc.	Rev.Iy.	Part No
Designed by	Zeynep SAHIN						FC/PC SM DX D-Hole Plastic Adapter
Checked by	Fatih BOLACA						



Drawing Nr.	FO-08P11D1D04S	Scale	NONE	Sheet No	1/1
-------------	----------------	-------	------	----------	-----