

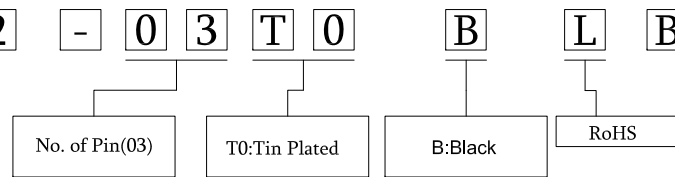
SPECIFICATIONS

Current Rating: 2A, 12V DC / 1A, 100V AC
 Contact Resistance: 30mΩ Max.
 At AC 100mA Max. 1KHz.
 Insulation Resistance: 100MΩ Min. At 500VDC.
 Dielectric Voltage: 500V AC for one minute
 Operation Temperature: -25°C to +70°C
 Insertion Force: 3.0Kg Max.
 Extraction Force: 0.3Kg Min.

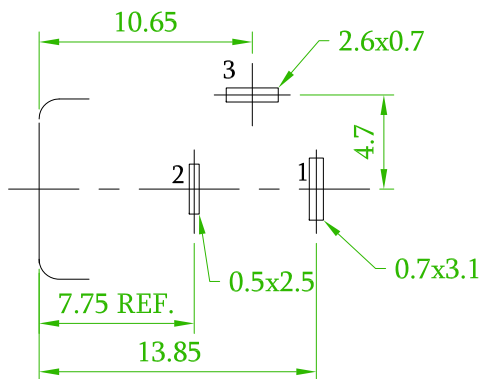
ORDER INFORMATION

5 D J X X D C 0 2 - 0 3 T 0 B L B - 0 1

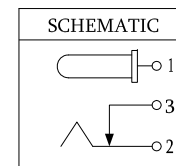
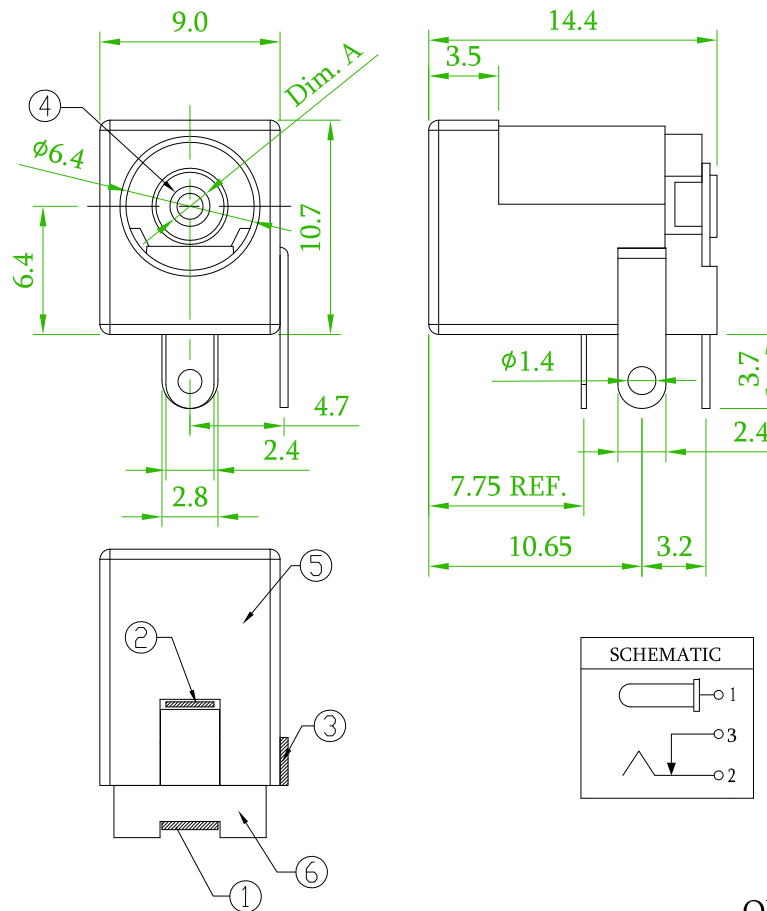
| |
|---------|
| Dim A |
| 20:φ2.0 |
| 25:φ2.5 |



| NO. | NAME | MATERIAL | FINISH | Q'TY |
|-----|--------------|-------------|---------------|------|
| 1 | PIN TERM. | BRASS T:0.4 | TIN PLATED | 1 |
| 2 | SLEEVE TERM. | PBS T:0.25 | TIN PLATED | 1 |
| 3 | BREAK TERM. | BRASS T:0.4 | TIN PLATED | 1 |
| 4 | CENTER PIN | BRASS Dim A | NICKEL PLATED | 1 |
| 5 | HOUSING | PBT G.F. | BLACK | 1 |
| 6 | BACK COVER | PBT G.F. | BLACK | 1 |



Recommended PCB Layout
(PCB TOLERANCE ±0.05)



Old Part No. :DCJXX-0014TB-L

| | | | | |
|------|----|--|---------|------------|
| | x1 | Add the voltage. | Gary | 2018/12/19 |
| | x1 | Add the operation temperature. | Gary | 2018/06/14 |
| | x6 | 1. Revise the drawing 2. 5DJ20DC02-03T0BLB-02->5DJ20DC02-03T0BLB-01 | Mia | 2016/09/13 |
| REV. | | ECN NO. OR DESCRIPTION | REVISED | DATE |

糧德精密有限公司
 Amtek Technology Co., Ltd.
 TEL: 886-2-2260-6878
 FAX: 886-2-2260-8030

| | | | | | | |
|----------------------|----------------------|-------|-------------|-------------|---------------------------|---------------------|
| 品名 TITLE | DC POWER JACK | | | | 頁數 Page | 1/1 |
| 品號 PART NO. | 5DJXXDC02-03T0BLB-01 | | | 繪圖 DRAWN | Erin 2015/10/06 | |
| 圖號 DRAWING NO. | GW216-GB211 | | 版本 REV. | D | 核對 CHECKED | Josh 2018/12/19 |
| 客戶品號 CUSTOMER P/N | | | 比例 SCALE | None | 承認 APPROVED | Jason 2018/12/19 |
| 公差 TOLERANCE | .X±0.25 .XX±0.13 | .X°±2 | 單位 UNIT | mm | THIRD ANGLE PROJECTION | |