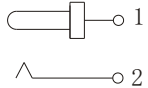
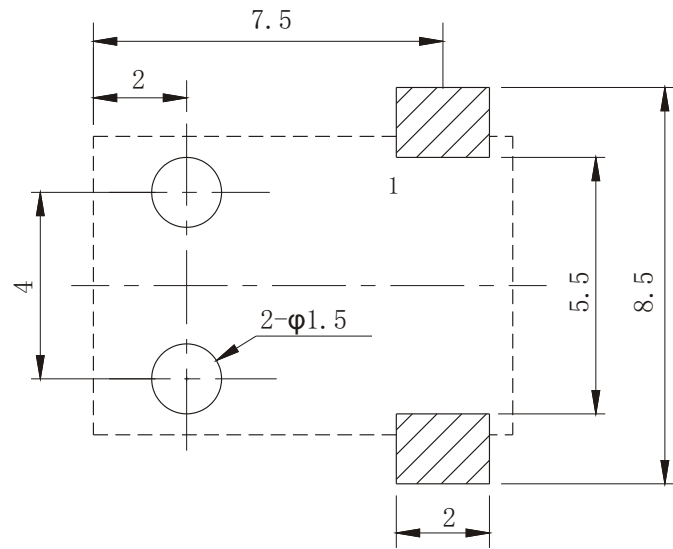
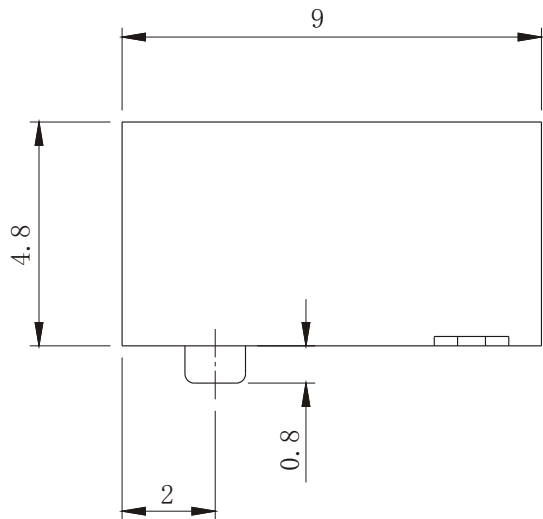
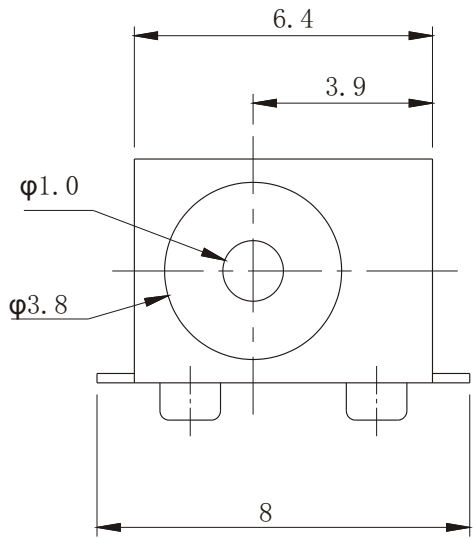


REV	A		
DATB	02/12/24		



7	TERMINAL-3	BRASS-0.4T	2	Tin Plating
6	TERMINAL-2	BRASS-0.4T	2	Tin Plating
5	TERMINAL-1	BRASS-0.5T	2	Tin Plating
4	SOCKET	BRASS-0.4T	4	Tin/Gold Plating
3	UP&DOWN COVER	ABS	2	BLACK
2	WASHER	ABS	4	
1	HOUSING	ABS	1	BLACK
NO	PART	MATERIAL	QTY	REMARKS

TOLERANCE	
UNDER 1	±0.05
1-10	±0.15
OVER 10	±0.25

KLS ELECTRONIC CO; LTD									
TITLE:	DC POWER JACK(SMT)	ITEM NO	L-KLS1-TDC-013-1.0						
DRAWING:	吴方成	02/12/24	SCALE		UNIT	mm			
APPROVE:			PROJECTION						