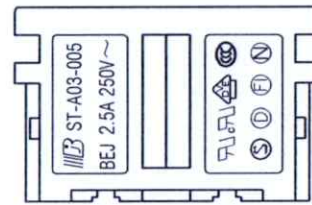
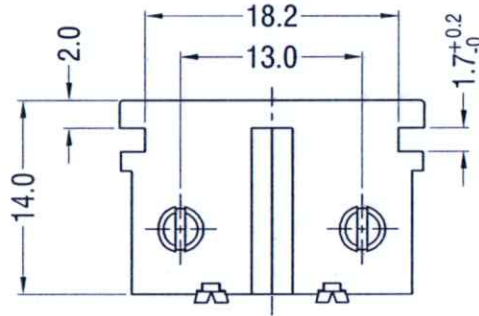
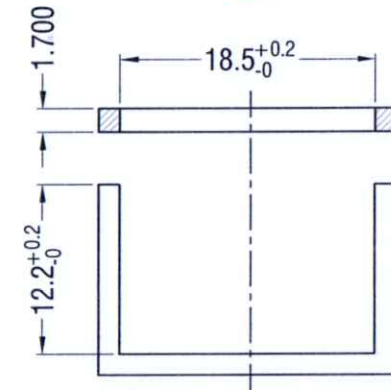


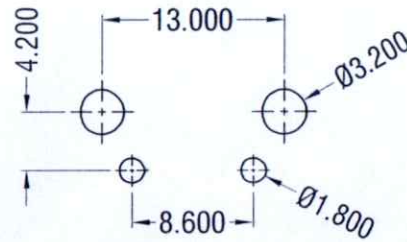
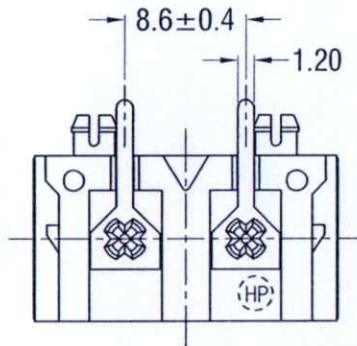
SECTION A-A



MARK



PANEL CUT-OUT



PCB LAYOUT

SPEC:

A. Material:

1. Housing: PA66
2. Terminal: COPPER ALLOY, TIN&NI PLATED

B. Electrical Characteristics:

1. Rating: 2.5A 250V ~ (UL,CUL,CCC,VDE,DEMKO,NEMKO,SEMKO,FIMKO)
2. Electric Strength: AC 2,000 V FOR ONE MINUTE
3. Insulation Resistance: 100MΩ MIN, AT 500V DC

C. Approvals:

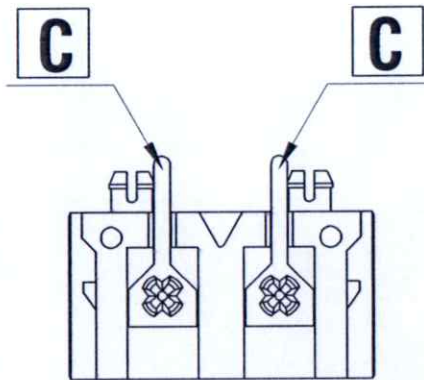
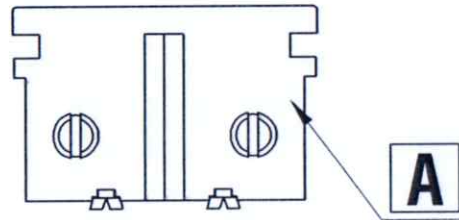
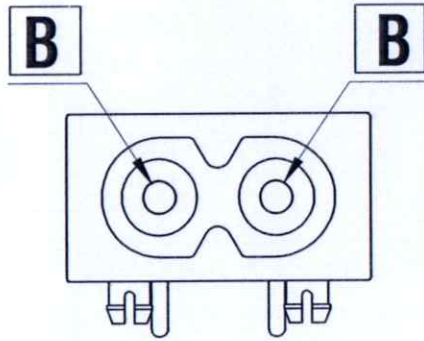
UL, CUL, CCC, VDE, DEMKO, NEMKO, SEMKO, FIMKO



REV	DATE	DESCRIPTION	ECN NO.
V1.4			
V1.3	2020.11.07	Change CCC safety mark	ECN19041
V1.2	2016.05.10	Change the material and Part No.	ECN16029
V1.1	2015.08.22	Change the housing	ECN15033
V1.0	2012.06.30	New Revision	

浙江贝尔佳电子有限公司 BEJ Zhe Jiang BeiErJia EElectronic CO.,LTD			Name: AC INLET 2PIN SOCKET	
Drawing For Customer			Model No.: ST-A03-005	
			Part No.: ST-A03-005DT7(HP)	
VIEW:			DESIGNER Shirley	CHECKED Toby
UNIT: mm			APPROVED Buddy	File No.: BEJ-E-EK-A03-0049

项次	名称	料号	材质	规格	用量	备注
A	胶壳	A03-005D(HP)	PA66	黑色	1PCS	
B	插销	A03-CX19	黄铜	镀镍	2PCS	
C	插脚	A03-T7	黄铜	镀锡	2PCS	



 浙江贝尔佳电子有限公司 BEJ Zhe Jiang BeiErJia ELelectronic CO.,LTD			Name: AC INLET 2PIN SOCKET	
Bill Of Material (BOM)			Model No.: ST-A03-005	
			Part No.: ST-A03-005DT7(HP)	
DESIGNER: Shirley CHECKED: Toby APPROVED: Buddy			File No.: BEJ-E-EK-A03-0049(BOM)	

REV	DATE	DESCRIPTION	ECN NO.
V1.4			
V1.3			
V1.2	2016.05.10	Change the material and Part No.	ECN16029
V1.1	2013.10.25	Change the pin part number	ECN13015
V1.0	2012.06.30	New Revision	-----