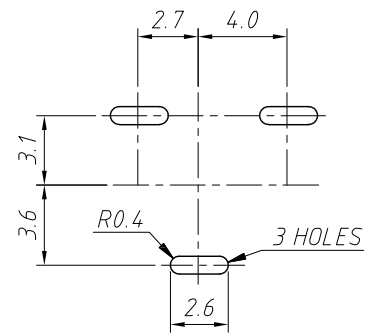
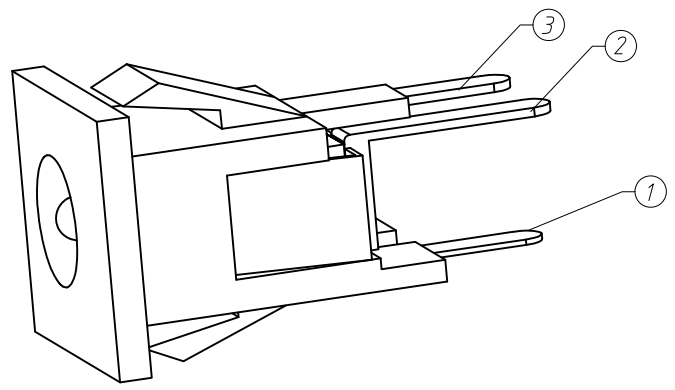
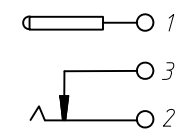


Panel Cut Out Top View



T:1.6 Dimensions of PC board holes  
Tolerance:±0.05(Printed-top view)

SCHMATIC



SPECIFICATION

- Rated Load:DC 30V 1.0A
- Contact resistance:30mΩ, max
- Insulation resistance:100MΩ, min
- Withstand Voltage:AC500V
- Actuating Force:3-20N
- Life:5000 cycles
- Operating Temperature:-30°C-70°C

PIN	φ2.0	φ2.5
APPD		

NO.	Description	QTY	Material	Plating
1	Flat Piece	1	C2680 t=0.40	Ag-Plating
2	Spring	1	C5191 t=0.25	Ag-Plating
3	Curve Piece	1	C2680 t=0.40	Ag-Plating
4	PIN	1	H59 (Copper Alloy)	Cu/Sn-Plating
5	Housing	1	PA66	Black
6	Cover	1	PF	UL-94V0

GENERAL TOLERANCE	PROJECTION		Description:
X. ±0.50	UNITS	mm	DC POWER Jack DIP
.X ±0.25	SCALE	1:1	
.XX ±0.10	Draw by:	Jenny	KLS P/N: L-KLS1-DC-006
ANGLE TOLERANCE	Check by:		NingBo KLS ELECTRONIC CO.,L TD.
X. ±5°	Date	2019-03-01	
.X ±3°	SHEET	1 OF 1	
.XX ±2°			