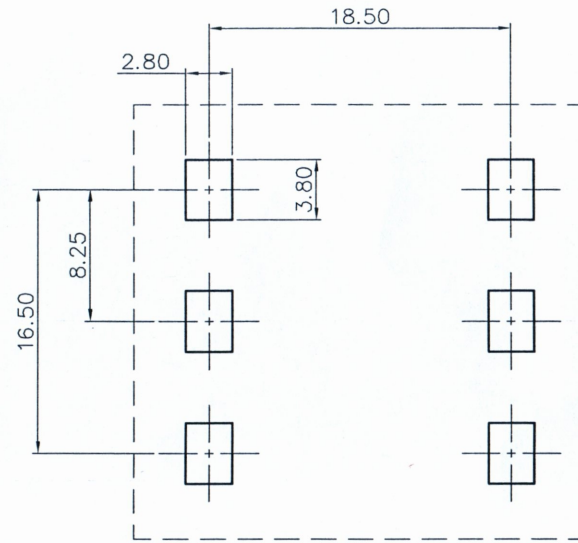
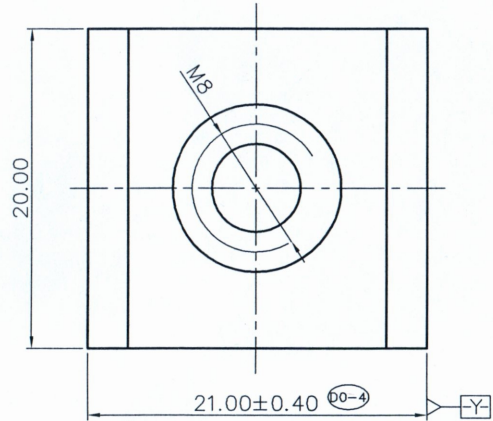


REVISION RECORD

| REV | ECN | DESCRIPTION | DRFT | DATE |
|------|-----|------------------|---------|------------|
| 00-2 | | Change drawing | Desinly | 2018.12.07 |
| 00-3 | | Change drawing | WY | 2019.01.08 |
| 00-4 | | Change tolerance | WY | 2019.01.11 |



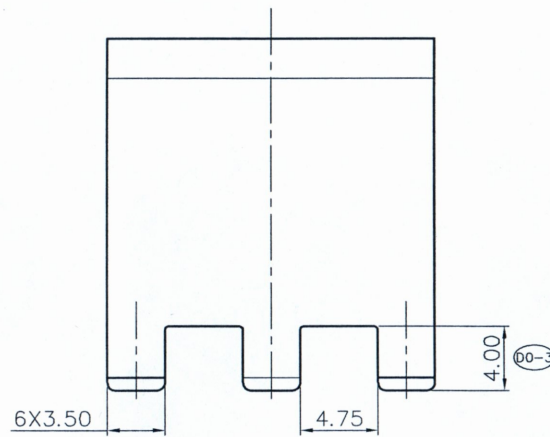
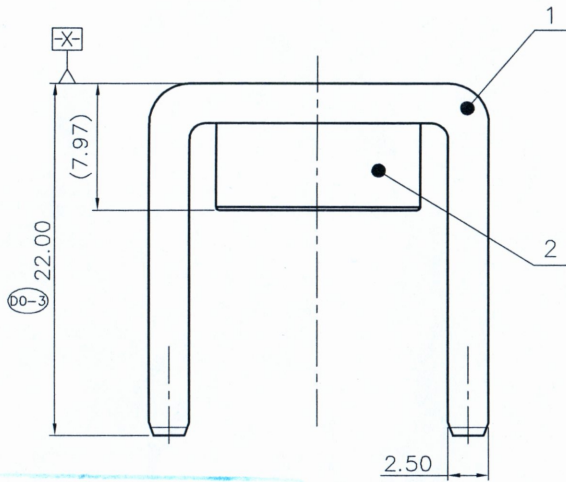
PCB LAYOUT

NOTES1:

- Rated current : 200A
- 00-3 00-2 Torque value : M8, 3.5N·m(35.70kgf·cm/31.01Lb.in)
- Dimension shall be interpreted per ASME Y14.5-2009
- Operating temperature: -40°C~+120°C
- Undimensioned tolerances:

| Pitch range in mm | | Nominal dimension range in mm | | | | | - | ∩ | ∇ |
|-------------------|---------|-------------------------------|----------|-----------|------------|-------|--------|-----|---|
| TO | Over | Over | Over | Over | Over | | 0.1/10 | | |
| 6 | 6 TO 10 | 10 TO 24 | 30 TO 60 | 60 TO 100 | 100 TO 150 | 150 | < | | |
| ±0.15 | ±0.20 | ±0.30 | ±0.30 | ±0.50 | ±0.70 | ±1.00 | ±1.30 | ±2' | |

6.RoHS Compliance



K96 - 00A (H)
(RoHS)
00A-(Standard)
(Series No.)

仅供参考图
姓名: 蓝贵凡
日期: 2019.01.11

| ITEM | NAME OF PART | MATERIAL | NOTES |
|------|--------------|----------|--------------|
| 2 | Nut | Steel | M8/Zn Plated |
| 1 | Pin header | Copper | Sn Plated |

| | | | | | |
|------------------------|--------------------------|---|----------------------|-------|------|
| DETACHED LISTS | PART NO.: / | 宁波高松电子有限公司 NINGBO DEGSON ELECTRICAL CO., LTD | | | |
| | APPD: Alan 2019.01.11 | NAME: K96-00A(H) | | | |
| | CHKD: Robin 2019.01.11 | TITLE: CUSTOMER DRAWING | | | |
| | DRFT: Desinly 2018.04.17 | DRAWING NO.: K96-C01 | | REV | DO-4 |
| THIRD ANGLE PROJECTION | | MM (INCH) | DO NOT SCALE DRAWING | SHEET | 1/1 |
| | | | SCALE | 1:1 | |