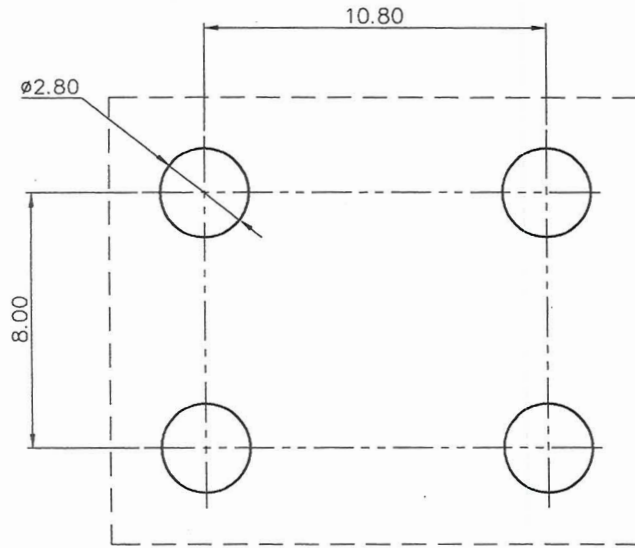
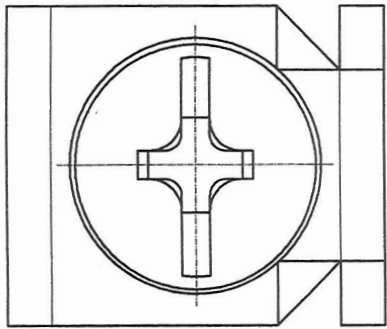


REVISION RECORD

REV	ECN	DESCRIPTION	DRFT	DATE
-----	-----	-------------	------	------



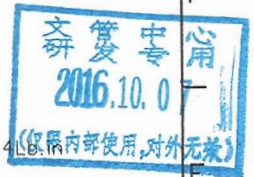
PCB LAYOUT

NOTES1:

UL Standard

1. Rated current : 65A

2. Torque value : M5 , 17.54 N·m



NOTES2:

1. Dimension shall be interpreted per ASME Y14.5-2009

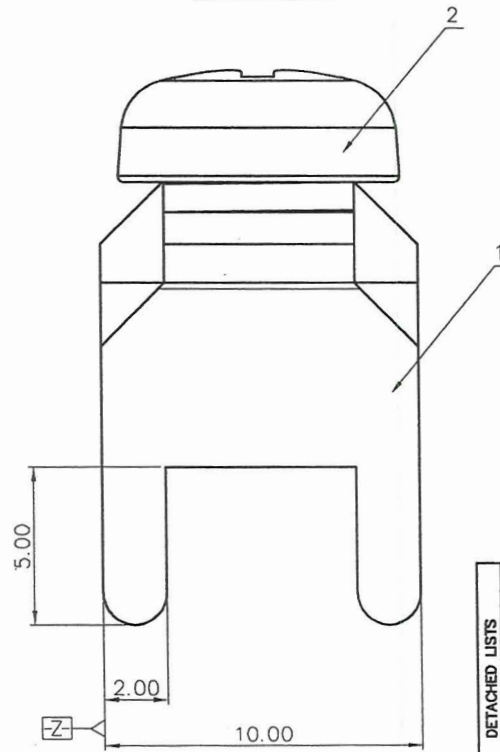
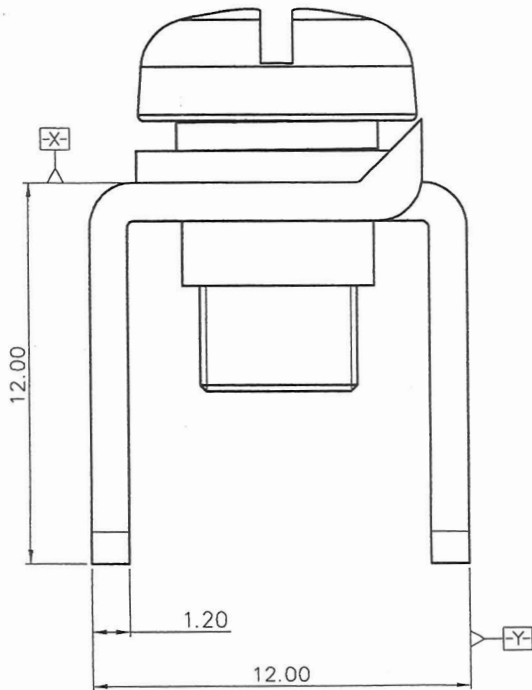
2. Undimensioned tolerances:

Pitch range in mm		Nominal dimension range in mm				-	∩	□
Over 6	Over 10	Over 30	Over 60	Over 100	Over 150	0.1/10		
TO 6	TO 10	TO 30	TO 60	TO 100	TO 150	<		
±0.15	±0.20	±0.30	±0.30	±0.50	±0.70	±1.00	±1.30	
						±2'		

3. RoHS Compliance

K34 -00A (H)
(RoHS)
00A-(Standard)

(Series No.)



ITEM	NAME OF PART	MATERIAL	NOTES
2	Screw	Steel	Zn Plated
1	Pin header	Copper alloy	Sn Plated

DETACHED LISTS	PART NO.: /	宁波高松电子有限公司 NINGBO DEGSON ELECTRICAL CO., LTD		
	APPD: <i>Axon 2/2/16</i>	NAME: K34-00A(H)		
	CHKD: <i>Xin 10/6/16</i>	TITLE: CUSTOMER DRAWING		
	DRFT: <i>XXY 03/22/16</i>	REV	TO	
THIRD ANGLE PROJECTION		DRAWING NO.: K34-C01	SHEET	1/1
		MM (INCH)	DO NOT SCALE DRAWING	SCALE 1:1