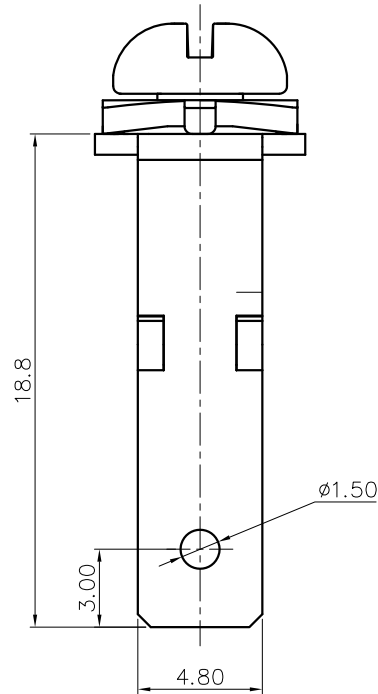
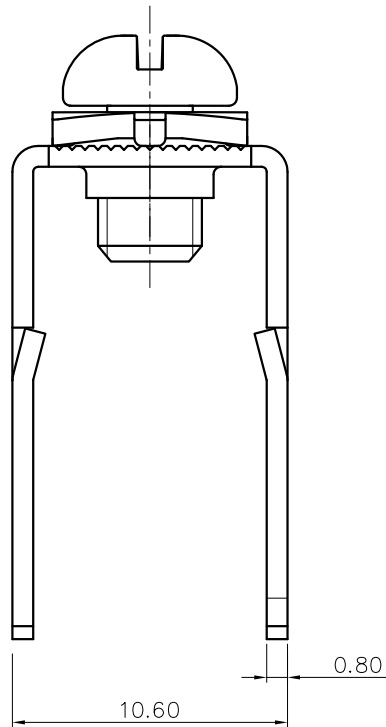
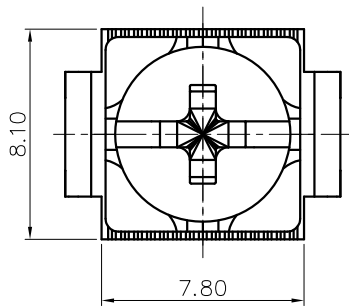


REVISION RECORD				
REV	ECN	DESCRIPTION	DRFT	DATE



NOTES:

- 1.Torque Value : M4 , 10.63Lb.in
- 2.Wire Range: 22-12AWG;
- 3.Dimension shall be interpreted per ASME Y14.5-2009
- 4.Undimensioned tolerances:

Pitch range in mm			Nominal dimension range in mm					-	∩	∇					
To	Over To	Over To	To	Over To	Over To	Over To	Over To	0.1/10							
6	10	24	30	60	100	150	±0.15	±0.20	±0.30	±0.30	±0.50	±0.70	±1.00	±1.30	±2'

5.RoHS Compliance

DG10000-TWO PIN

(Series No.)

DETACHED LISTS	PART NO.:	宁波高松电子有限公司 NINGBO DEGSON ELECTRICAL CO., LTD			
	APPD:	NAME: DG10000-TWO PIN			
	CHKD:	TITLE: CUSTOMER DRAWING			
	DRFT:	DRAWING NO.:		REV	DO
THIRD ANGLE PROJECTION		DO NOT SCALE DRAWING		SHEET	1/1
		MM (INCH)		SCALE	1:1