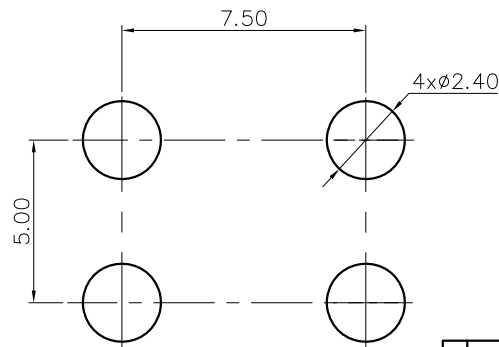
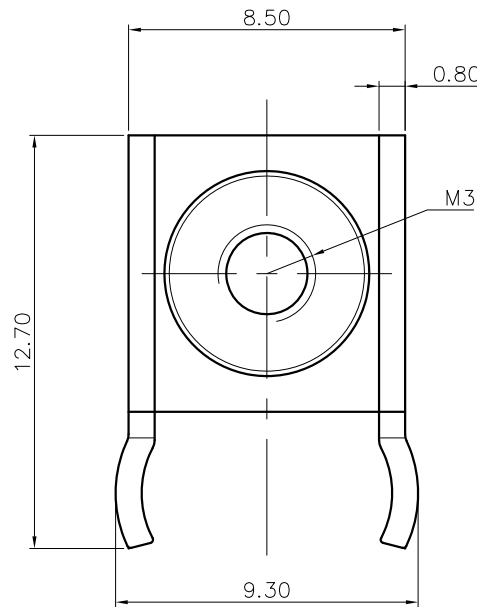
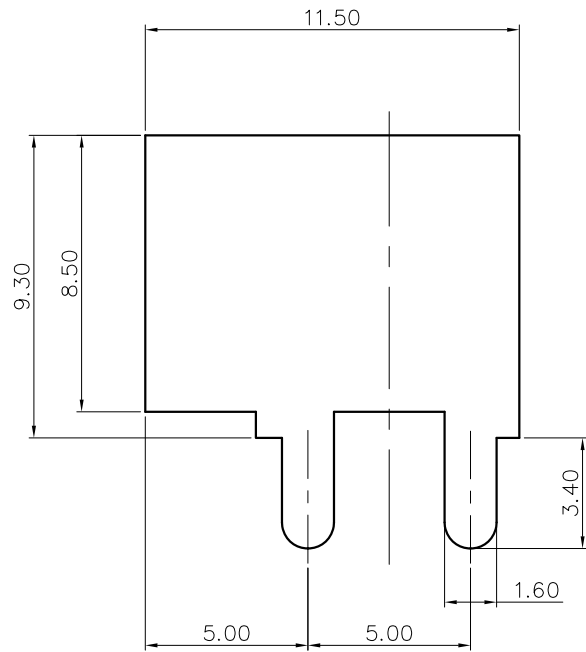


REVISION RECORD

REV	ECN	DESCRIPTION	DRFT	DATE
-----	-----	-------------	------	------



PCB LAYOUT

NOTES1:

- UL Standard
- 1.Rated current : 60A
- 2.Torque value : M3 , 1.0N.m
- 3.Dimension shall be interpreted per ASME Y14.5-2009
- 4.Undimensioned tolerances:

Pitch range in mm		Nominal dimension range in mm				Tolerances	
To	Over	To	Over	To	Over	0.1/10	
6	10	10	30	30	60	100	150
±0.15	±0.20	±0.30	±0.30	±0.50	±0.70	±1.00	±1.30
							±2'

5.RoHS Compliance

K94 - 01A (H)
 (Series No.) (RoHS)
 -01A-(Customer Request)

DETACHED LISTS	PART NO.:	/			宁波高松电子有限公司 NINGBO DEGSON ELECTRICAL CO., LTD	
	APPD:	/				NAME:
	CHKD:	/			K94-01A(H)	
	DRFT:	/			TITLE: CUSTOMER DRAWING	REV
THIRD ANGLE PROJECTION		DRAWING NO.:	/		SHEET	1/1
		MM (INCH)	DO NOT SCALE DRAWING		SCALE	1:1