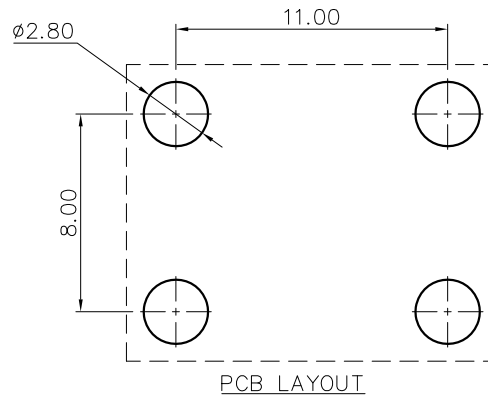
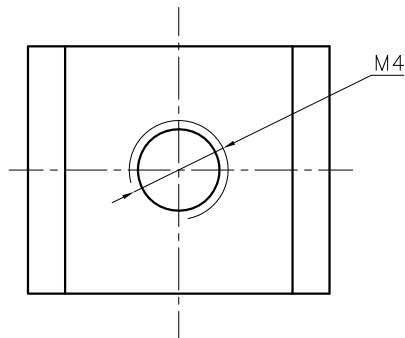


REVISION RECORD

REV	ECN	DESCRIPTION	DRFT	DATE
-----	-----	-------------	------	------



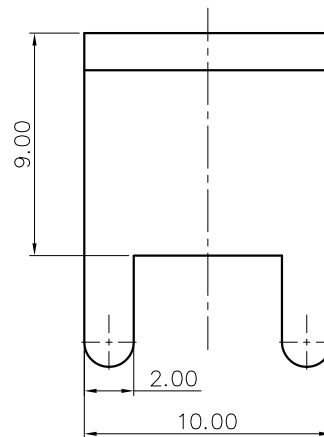
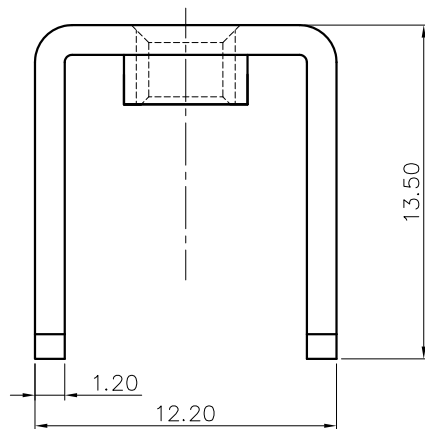
NOTES:

- 1. Rated Current: 50A
- 2. Torque Value : M4 , 10.53Lb.in
- 3. Dimension shall be interpreted per ASME Y14.5-2009
- 4. Undimensioned tolerances:

Pitch range in mm		Nominal dimension range in mm				⊖	⊕	∠
TO	Over	Over	Over	Over	Over	0.1/10		
6	6 TO 10	10 TO 24	30 TO 60	60 TO 100	100 TO 150	∠		
±0.15	±0.20	±0.30	±0.30	±0.50	±0.70	±1.00	±1.30	±2'

5. RoHS Compliance

K45-00A (H)  
 (Series No.) (RoHS)  
 -00A-(Standard)



DETACHED LISTS	PART NO.:	宁波高松电子有限公司 NINGBO DEGSON ELECTRICAL CO., LTD			
	APPD:	NAME: K45-00A(H)			
	CHKD:	TITLE: CUSTOMER DRAWING			
	DRFT:	DRAWING NO.:		REV	DO
THIRD ANGLE PROJECTION		MM (INCH)	DO NOT SCALE DRAWING	SHEET 1/1	SCALE 1:1