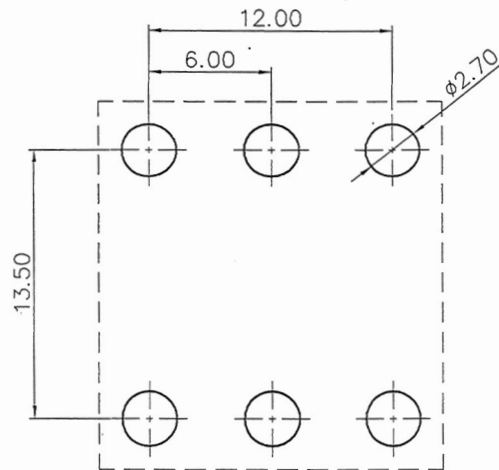
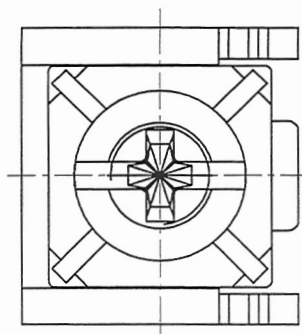


REVISION RECORD				
REV	ECN	DESCRIPTION	DRFT	DATE



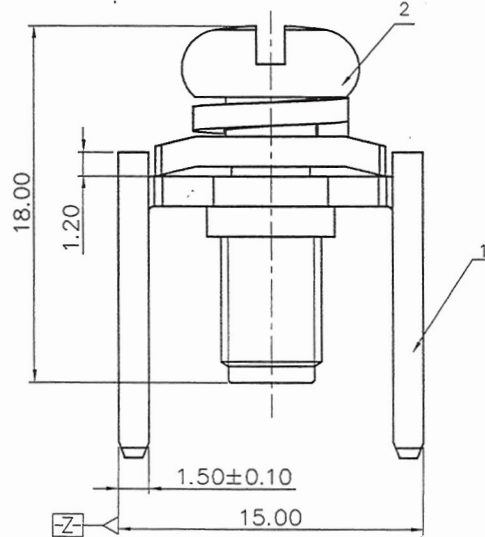
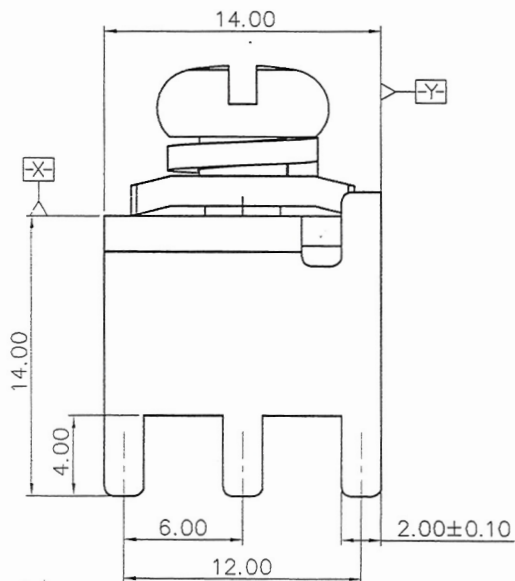
PCB LAYOUT

NOTES1:  
 UL Standard  
 1.Rated voltage/current : 92A  
 2.Torque value : M5 , 17.54Lb.in

NOTES2:  
 1.Dimension shall be interpreted per ASME Y14.5-2009  
 2.Undimensioned tolerances:

Pitch range in mm	Nominal dimension range in mm						- / ^ / D	
	Over 6 TO 6	Over 10 TO 10	Over 15 TO 15	Over 30 TO 30	Over 60 TO 60	Over 100 TO 100		
±0.15	±0.20	±0.30	±0.30	±0.50	±0.70	±1.00	±1.30	±2'

3.RoHS Compliance



奇策零消  
 2018.3.02  
 (仪器片)

ITEM	NAME OF PART	MATERIAL	NOTES
2	Screw	Steel	M5/Zn Plated
1	Pin header	Copper alloy	Sn Plated

DETACHED LISTS	PART NO.:	宁波高松电子有限公司 NINGBO DEGSON ELECTRICAL CO., LTD			
	APPD: <i>Handwritten signature</i>	NAME:	K51-01A(H)		
	CHKD: <i>Handwritten signature</i>	DRFT:	LHM 2017.09.05	TITLE:	CUSTOMER DRAWING
	DRFT:	LHM 2017.09.05	TITLE:	CUSTOMER DRAWING	REV
THIRD ANGLE PROJECTION		DRAWING NO.:	K51-C02	SHEET	1/1
		← MM (INCH) →	DO NOT SCALE DRAWING	SCALE	1:1