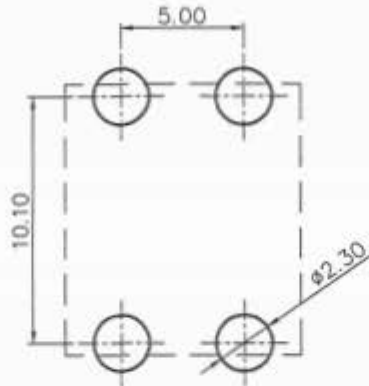
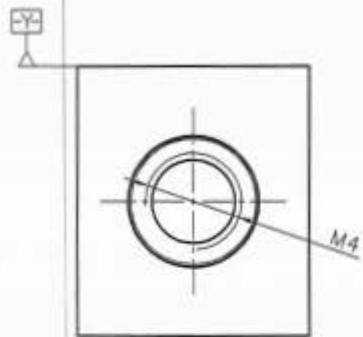


REVISION RECORD				
REV	ECN	DESCRIPTION	DRFT	DATE



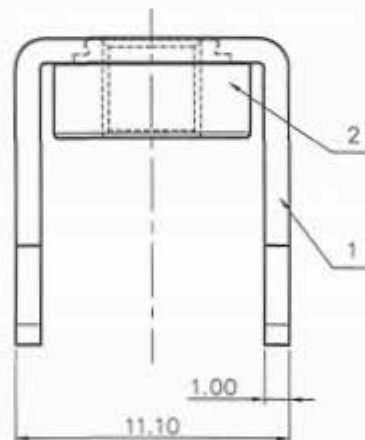
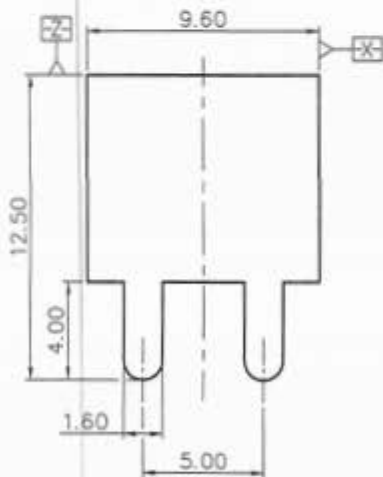
PCB LAYOUT

NOTES:

1. Rated Current : 40A
2. Torque Value : M4 , 15.79Lb.in(1.8N·m/18.36kgf.cm)
3. Dimension shall be interpreted per ASME Y14.5-2009
4. Undimensioned tolerances:

Pitch range in mm		Nominal dimension range in mm				-	
TO	Over	TO	Over	TO	Over	TO	Over
6	6	10	10	30	30	100	100
10	10	24	24	60	60	150	150
24	24	30	30	100	100	150	150
		±0.15	±0.20	±0.30	±0.30	±0.50	±0.70
				±1.00	±1.30	±2'	

5. RoHS Compliance



K31 - 02A (H)
(RoHS)
(Series No.) 02A-(Customer Request)



ITEM	NAME OF PART	MATERIAL	NOTES
2	Nut	Steel	M4/Zn Plated
1	Pin header	Copper alloy	Sn Plated

DETAILED LISTS	PART NO.: /	宁波高松电子有限公司 NINGBO DEGSON ELECTRICAL CO., LTD			
	APPD: <i>2018.1.8</i>	NAME: K31-02A(H)			
	CHKD: <i>2018/1/3</i>	DRFT: XIAO 2017.06.22			
	THIRD ANGLE PROJECTION		TITLE: CUSTOMER DRAWING	REV	TO
		DRAWING NO.: K31-C03	SHEET	1/1	
		MM (INCH)	DO NOT SCALE DRAWING	SCALE 1:1	