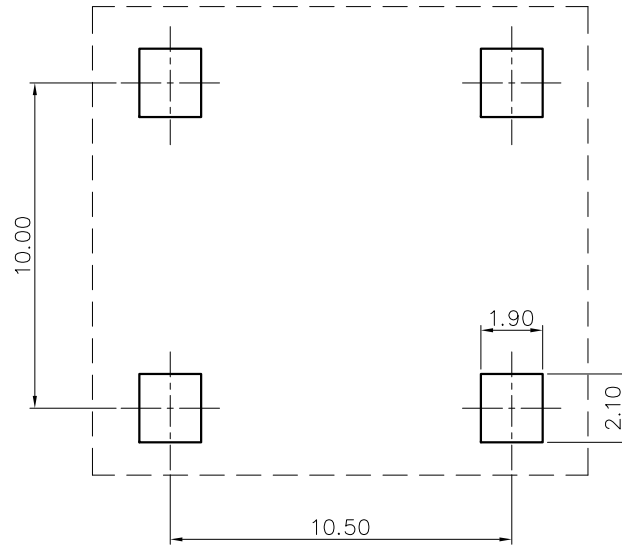
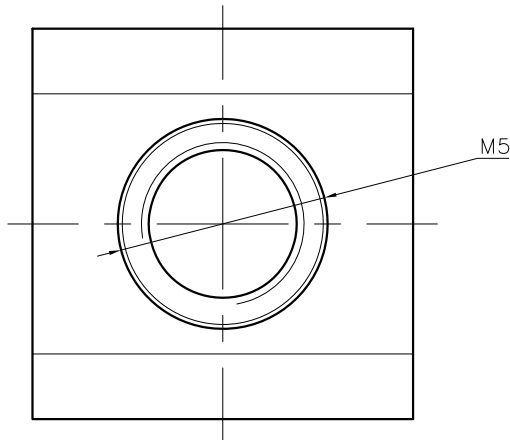


REVISION RECORD

REV	ECN	DESCRIPTION	DRFT	DATE



PCB LAYOUT

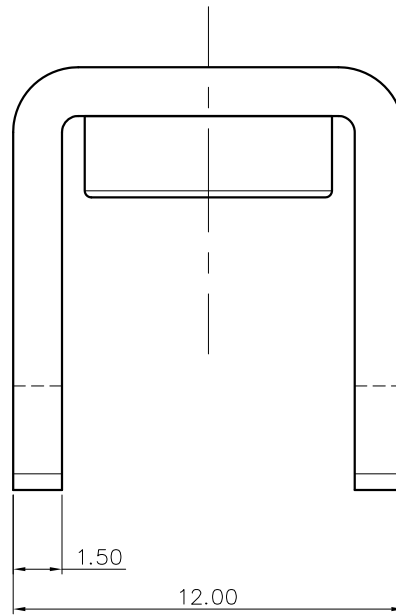
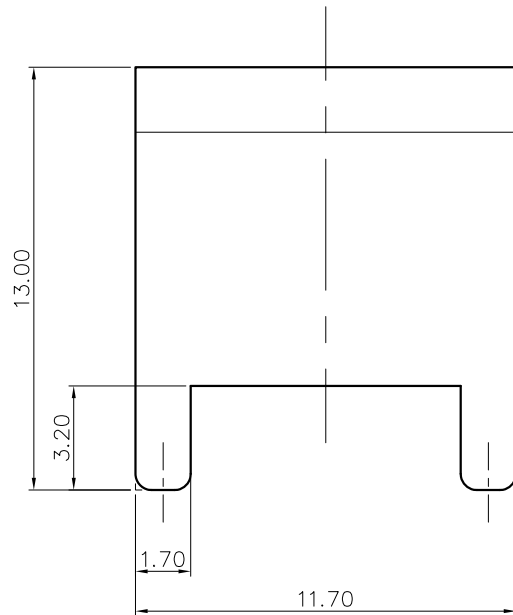
NOTES:

1. Rated Current : 80A
2. Torque Value : M5 , 21.05Lb.in
3. Dimension shall be interpreted per ASME Y14.5-2009
4. Undimensioned Tolerances:

Pitch range in mm		Nominal dimension range in mm					Tolerances	
TO	Over	Over	TO	Over	Over	Over	0.1/10	
6	TO	TO	30	TO	TO	TO	<	
6	10	24	30	60	100	150	±2'	
±0.15	±0.20	±0.30	±0.30	±0.50	±0.70	±1.00	±1.30	±2'

5. RoHS Compliance

K68 - 00A (H)
 (Series No.) (RoHS) (Standard)



DETACHED LISTS	PART NO.: /	宁波高松电子有限公司 NINGBO DEGSON ELECTRICAL CO., LTD		
	APPD: /	NAME: K68-00A(H)		
	CHKD: /	TITLE: CUSTOMER DRAWING		REV: /
	DRFT: /	DRAWING NO.: /		DO: /
THIRD ANGLE PROJECTION		DRAWING NO.: / MM (INCH)	DO NOT SCALE DRAWING	SCALE: 1:1

H
G
F
E
D
C
B
A

H
G
F
E
D
C
B
A