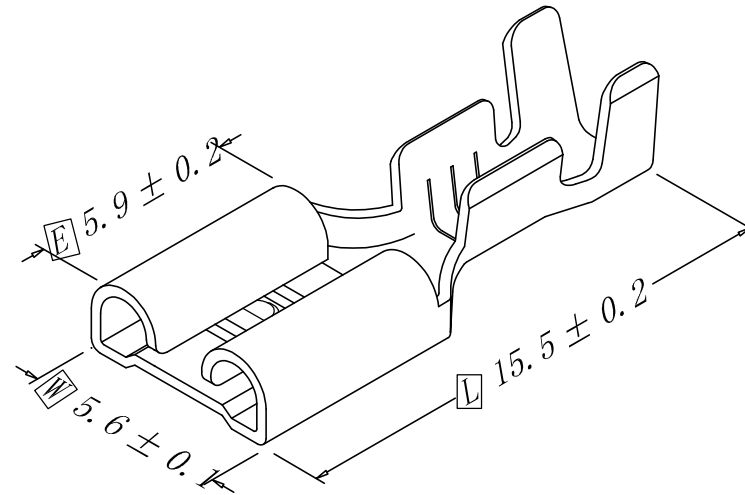
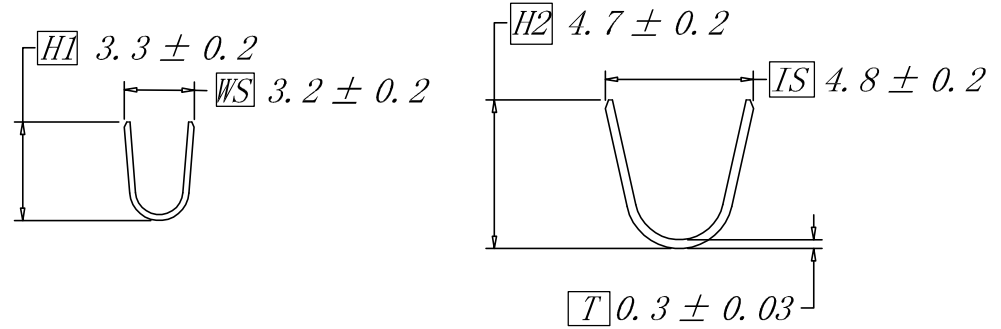


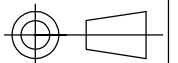
文件名称 File Name	产品规格表 Product Specification
文件编号 File NO.	
产品料号 Part NO.	B187062BS2
规格 Spec.	J70215-BS-2
材质 Material	黄铜(Brass) (C2680)
配合公端 Connection Table	(W) 4.75*(T) 0.5mm
包装数量 Pack Q' TY	10000pcs/Reel
适用电线 Applicable Wires	16-20AWG
单重 weight single	-
尺寸单位 Units	mm
UL NO.	E207921
表面处理 Surface Treatment	<input type="checkbox"/> 素材 None <input type="checkbox"/> 镀镍 Nickel Plating <input checked="" type="checkbox"/> 镀锡 Tin Plating <input type="checkbox"/> 抛光 Chemical Grinding <input type="checkbox"/> 镀银 Silver Plating <input type="checkbox"/> 镀金 Gold Plating

- 一、未标注尺寸公差
NOT MARK A INCH LAW TOLERANCE
- | | |
|-----------|-------------|
| 0 ±0.2 | 0.0 ±0.2 |
| 0.00 ±0.1 | 0.000 ±0.05 |
- 二、角度公差: ±3°
ANGLE UNITS
- 三、适用范围:
APPLICABILITY
- 四、检查项目:
CHECK ITEM
- 1、尺寸量测及规格确认。(量测部位以标英文字母为主)
DIMENSION MENSION MEASUREMENT AND SPECIFICATION CONFIRMATION.
(THE MEASUREMENT PART IS MARK THE ENGLISH LETTER OF ALPHABET FOR THE LORD)
 - 2、外观: 本体不可有腐蚀、刮伤或氧化现象。
Appearance: Terminal cannot be corrected, scratched or oxidized.
- 五、符合ROHS或客户环保要求
RoHS Pass or Fulfilled Customer's Requirement

六、备注:
NOTE



版本:
REV.



DESCRIPTION (修改内容)

APPD (核准)

DATE (日期)

所下载之产品规格表仅供参考 The products of download is only for reference