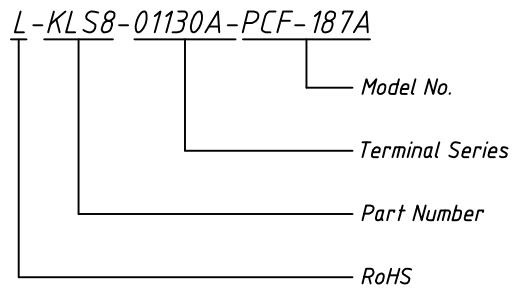


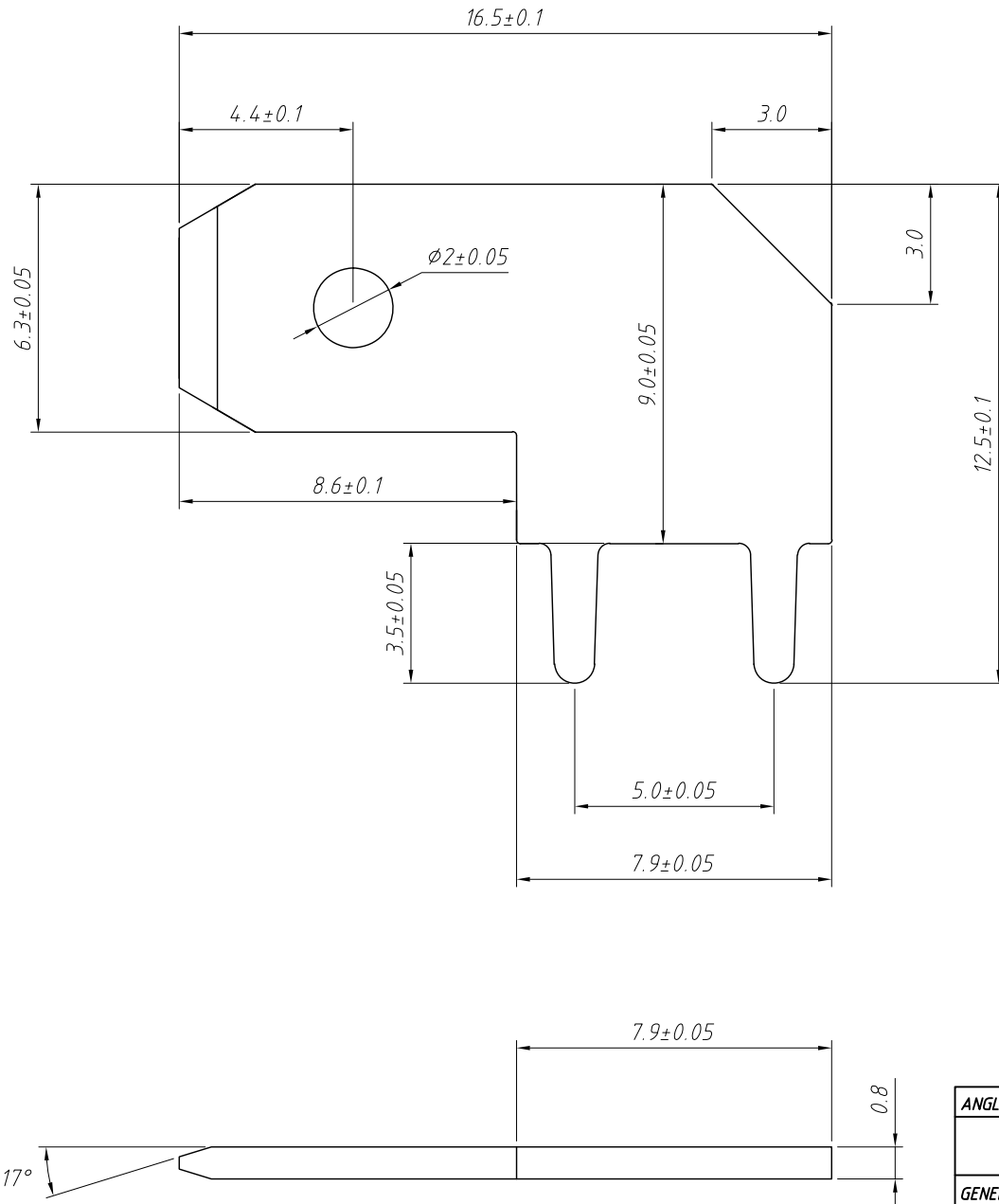
- Technical requirement:*
1. Correct and clear marking, no breakage, burr, deformation, scratch of terminals
 2. The surface coating is uniform, bright, without mildew, blackening, peeling and other defects.
 3. The bending part of the product should not be mechanically damaged and not easily broken. The incision burr is $\leq 0.2\text{mm}$.
 4. Material: Brass, Tin Plate
 5. Type: 187 Type(4.8)
 6. Applicable substrate: 1.6-2.0mm PCB

Order Information



GENERAL TOLERANCE	PROJECTION		Description:
X. ±0.50	UNITS	mm	PCB Solder terminals
.X ±0.25	SCALE	1:1	
.XX ±0.10	Draw by:	Jenny	
ANGLE TOLERANCE	Check by:		KLS P/N: L-KLS8-01130A-PCF-187A
X. ±5°	Date	2018-03-01	NingBo KLS ELECTRONIC CO.,L TD.
.X ±3°	SHEET	1 OF 1	
.XX ±2°			

1 RoHS Compliance



Terminal Material: Brass, Natural colour

Technical requirements:

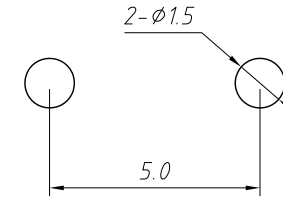
The mark shall be correct and clear, and the terminal shall be free of fracture, burr, deformation and scratch;

The surface coating should be uniform, bright, free of mould spots, blackening, peeling and other defects.

Undeclared R angle: 0.5mm,

Undeclared C angle: 0.5×45°

Undeclared tolerance: ±0.01mm



Mounting holes

Order Information:

L-KLS8-01130-PCF-250

L: RoHS

Terminal Series

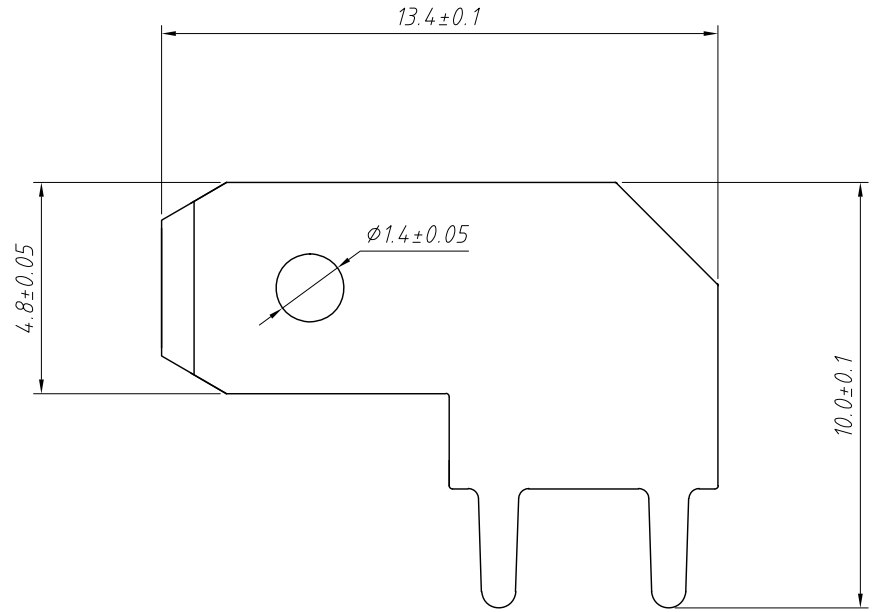
Model No.

ANGLE TOLERANCE	PROJECTION	Description:		
±3°		1.27x1.27mm Pitch Box Header Connector		
GENERAL TOLERANCE	UNITS	mm	KLS P/N:	L-KLS8-01130-PCF-250
x.x ±0.30	SHEET SIZE	A4		
x.xx ±0.20	Draw:	Daniel	2020-11-11	
x.xxx ±0.10	Check:	Daniel	2020-11-11	



NingBo KLS ELECTRONIC CO.,L TD.

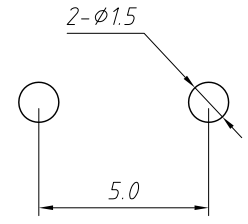
1
RoHS Compliance



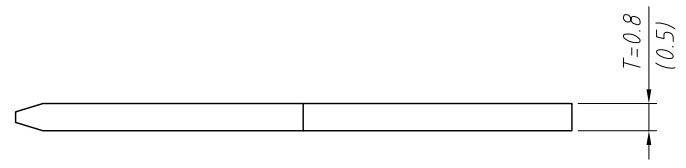
Terminal Material: Brass, Natural colour

Technical requirements:
The mark shall be correct and clear, and the terminal shall be free of fracture, burr, deformation and scratch;
The surface coating should be uniform, bright, free of mould spots, blackening, peeling and other defects.

Undeclared R angle: 0.5mm,
Undeclared C angle: 0.5×45°
Undeclared tolerance: ±0.01mm



Mounting holes



Order Information:
L-KLS8-01130-PCF-187
L: RoHS
Terminal Series
Model No.
187-T=0.8mm
187(5)-T=0.5mm

ANGLE TOLERANCE	PROJECTION	Description:		
±3°		1.27x1.27mm Pitch Box Header Connector		
GENERAL TOLERANCE	UNITS	mm	KLS P/N: L-KLS8-01130-PCF-187	
x.x ±0.30	SHEET SIZE	A4	NingBo KLS ELECTRONIC CO.,L TD.	
x.xx ±0.20	Draw:	Daniel		2020-11-11
x.xxx ±0.10	Check:	Daniel		2020-11-11