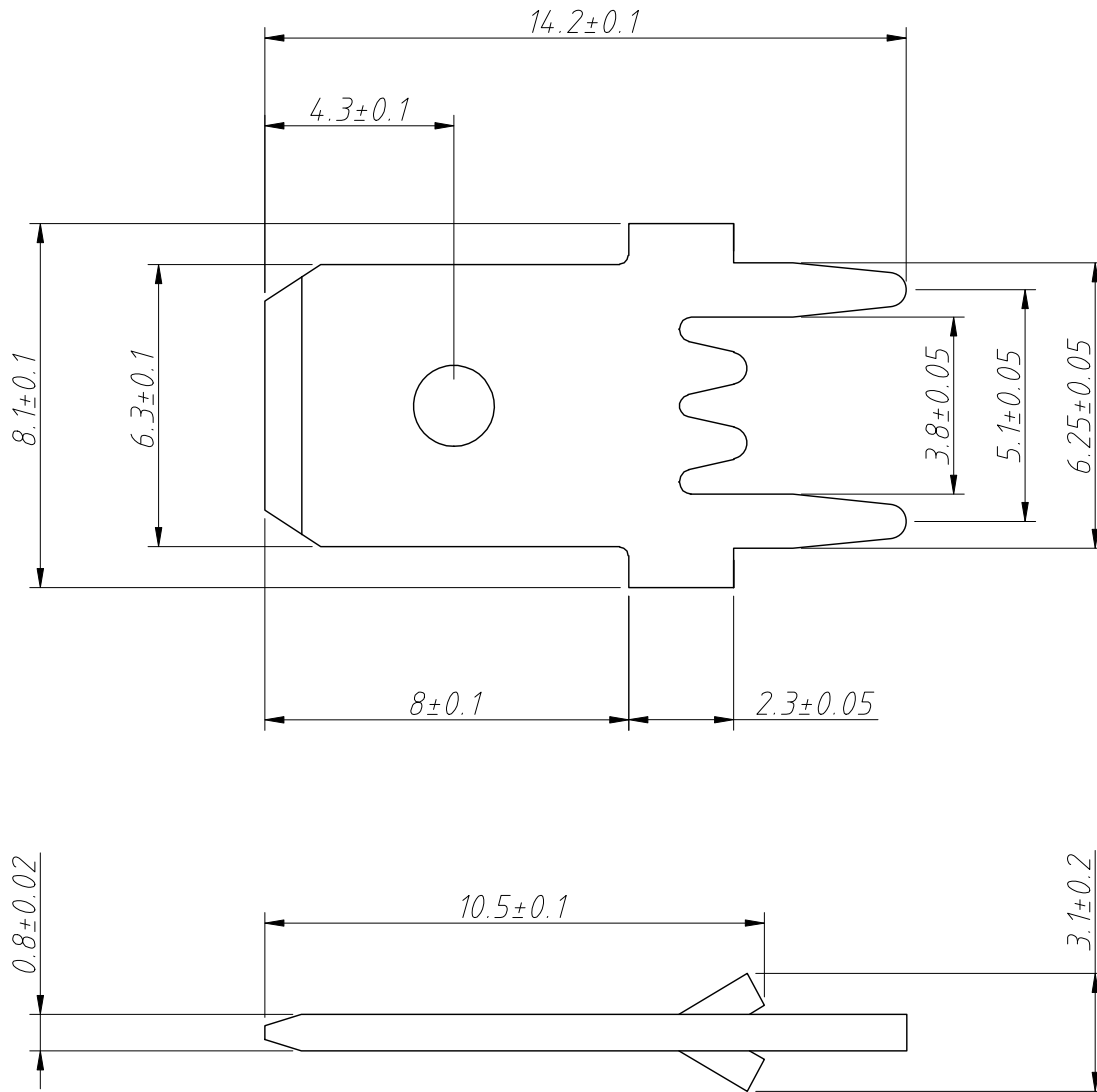


1  
RoHS Compliance



Notes:

1. Material: Brass, Tin Plated
2. The markings should be correct and clear, and the terminals should be free of breakage, burrs, deformation, and scratches.
3. The surface coating should be uniform, bright, and free from defects such as mold, blackening, and peeling.
4. The bending part of the product must not have mechanical damage, is not easy to break, and the notch burrs are  $\leq 0.2\text{mm}$ .

ANGLE TOLERANCE	PROJECTION		Description:
$\pm 3^\circ$			6.3 Sharp Angle Positioning
GENERAL TOLERANCE	UNITS	mm	KLS P/N: L-KLS8-01129-PC-250C
x.x $\pm 0.2$	SHEET SIZE	A4	XX
x.xx $\pm 0.2$	Draw:	Daniel	2023-06-03
x.xxx $\pm 0.2$	Check:	Daniel	2023-06-03



NingBo KLS ELECTRONIC CO.,L TD.