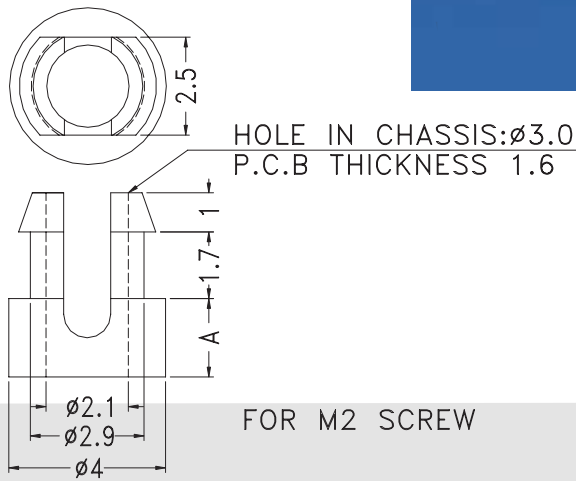


PCB Support Series

KLS8-0221 PCB Support Series

Material: UL approved Nylon 66, 94V-2

Unit:mm



Item No.	A	Packing
BLH-02	2.0	(1000PCS)
BLH-2.5	2.5	
BLH-03	3.0	
BLH-3.5	3.5	
BLH-04	4.0	
BLH-4.5	4.5	
BLH-05	5.0	
BLH-5.5	5.5	
BLH-06	6.0	

ORDER INFORMATION

KLS8-0221 - BLH-02

