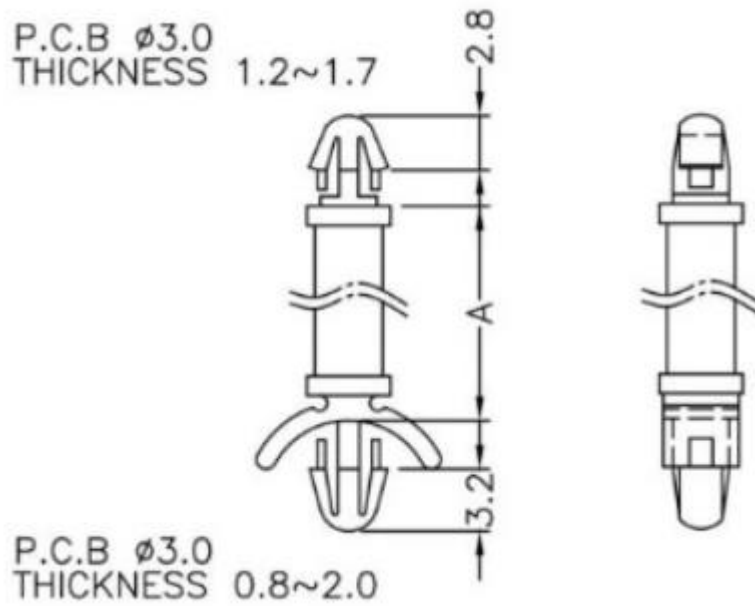


### 3.0/3.0mm Spacer Support KLS8-0227D



#### Product Information

Material: NYLON 66(UL94V-2),NATURAL

Working temperature: 0°C~80°C

Dipping Bibulous: 2.5% at 20°C 24H 50% Humidity

Withstand Voltage:2500V/0.5mA/1m

Heat Resistance: B-130°C (30m without melting at 200 °C )

Application: the fixed PC board on the boards, free tools,

P/N	A	UPPER		CHASSIS		Color	Packing
		PCB Hole	PCB THICKNESS	PCB Hole	PCB THICKNESS		
	mm	mm	mm	mm	mm		pcs
L-KLS8-0227D-03	3.2	3.0	1.2~1.7	3.0	0.8~2.0	Natural	1000
L-KLS8-0227D-05	4.8	3.0	1.2~1.7	3.0	0.8~2.0	Natural	1000
L-KLS8-0227D-06	6.4	3.0	1.2~1.7	3.0	0.8~2.0	Natural	1000
L-KLS8-0227D-08	7.9	3.0	1.2~1.7	3.0	0.8~2.0	Natural	1000
L-KLS8-0227D-09	9.5	3.0	1.2~1.7	3.0	0.8~2.0	Natural	1000
L-KLS8-0227D-11	11.1	3.0	1.2~1.7	3.0	0.8~2.0	Natural	1000
L-KLS8-0227D-13	12.7	3.0	1.2~1.7	3.0	0.8~2.0	Natural	1000
L-KLS8-0227D-14	14.3	3.0	1.2~1.7	3.0	0.8~2.0	Natural	1000
L-KLS8-0227D-16	15.9	3.0	1.2~1.7	3.0	0.8~2.0	Natural	1000
L-KLS8-0227D-17	17.0	3.0	1.2~1.7	3.0	0.8~2.0	Natural	1000
L-KLS8-0227D-18	18.0	3.0	1.2~1.7	3.0	0.8~2.0	Natural	1000
L-KLS8-0227D-19	19.0	3.0	1.2~1.7	3.0	0.8~2.0	Natural	1000
L-KLS8-0227D-20	20.0	3.0	1.2~1.7	3.0	0.8~2.0	Natural	1000
L-KLS8-0227D-26	26.0	3.0	1.2~1.7	3.0	0.8~2.0	Natural	1000