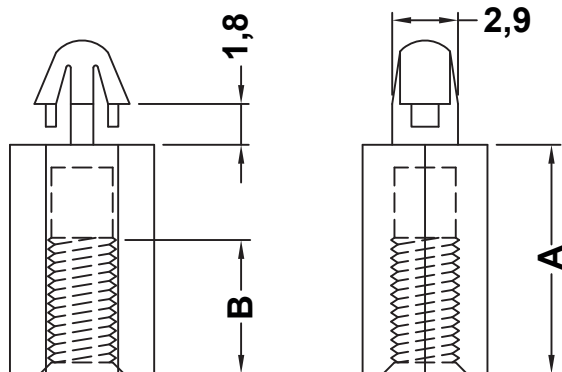


DIM.	TOL.
5mm DOWN	±0.2
5~20mm	±0.3
20~40mm	±0.4
40~60mm	±0.5
60~100mm	±0.8
100mm UP	±1.0

REVISIONS			
REV	DESCRIPTION	DATE	BY

**MOUNTING HOLE Ø3,0
THICKNESS 1,6**



P/N	A	B
12652AA0005.0	5.0	3.0
12652AA0006.0	6.0	4.0
12652AA0007.0	7.0	4.0
12652AA0008.0	8.0	6.0
12652AA0009.0	9.0	6.0
12652AA0010.0	10.0	6.0
12652AA0011.0	11.0	6.0
12652AA0012.0	12.0	6.0
12652AA0013.0	13.0	6.0
12652AA0014.0	14.0	6.0
12652AA0015.0	15.0	6.0

P/N	A	B
12652AA0016.0	16.0	6.0
12652AA0017.0	17.0	6.0
12652AA0018.0	18.0	6.0
12652AA0019.0	19.0	6.0
12652AA0020.0	20.0	6.0
12652AA0021.0	21.0	6.0
12652AA0022.0	22.0	6.0
12652AA0023.5	23.5	6.0
12652AA0026.0	26.0	6.0
12652AA0027.0	27.0	6.0

PART NUMBER SEE TABLE				DRAWING NUMBER 21.06.09.12652.0.E				TITLE SPACER SUPPORT							
								MATERIAL PA66 V2(UL94)				DATE 09/06/2021			
								COLOR NATURAL				DRAWN R.F.			
SIZE A4		SCALE NTS		UNIT mm.		REV A		CHECK 							
UNLESS OTHERWISE SPECIFIED TOLERANCE SEE ABOVE								APPROVED 							