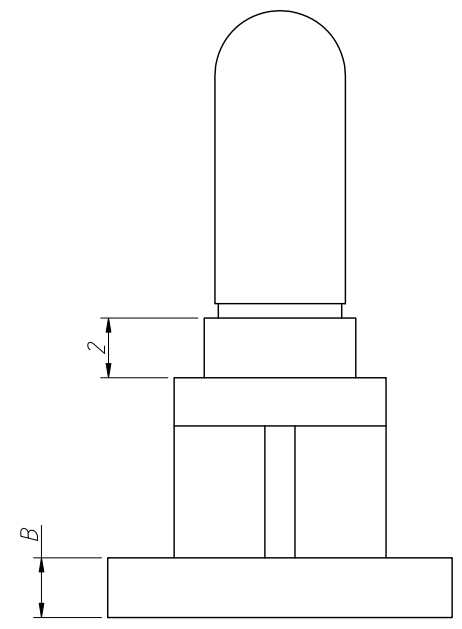
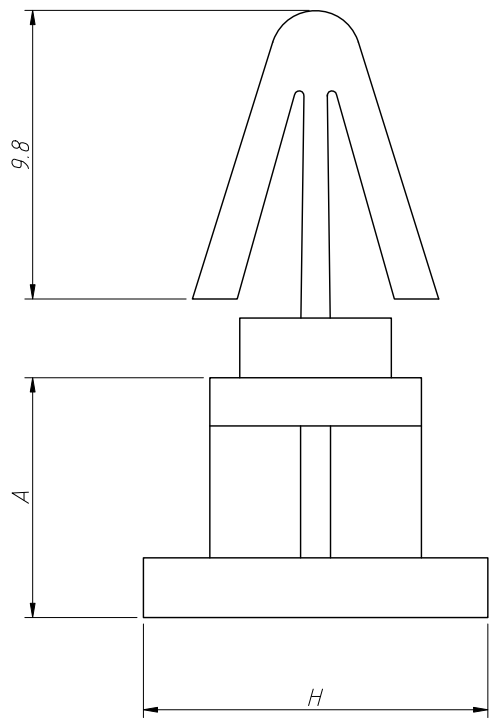


1
RoHS Compliance

REV	SYM	Revision Record	Appr.	Date
V0	KLS08269	New Version Release	Song	2023-11-29

PCB Hole: $\phi 4.0$
PCB Thickness: 1.2 ~ 1.7

Notes:
1. Material: PA66 , Natural



Item	A	B	H	Packing
ASH-4	4	1.1	11.5	1000PCS
ASH-6	6	1.1	11.5	
ASH-8	8	2.0	11.6	

Unmarked	0 ~ 4	4 ~ 15	15 ~ 30	30 ~ 50	50 ~ 100
Tolerance	± 0.15	± 0.20	± 0.30	± 0.50	± 0.70

ANGLE TOLERANCE	PROJECTION	Description:	PCB Spacing Column
$\pm 3^\circ$			
GENERAL TOLERANCE	UNITS	mm	L-KLS8-0265-ASH-8
	SHEET SIZE	A4	
	Draw:	Song	NingBo KLS ELECTRONIC CO.,L TD.
	Check:	Daniel	