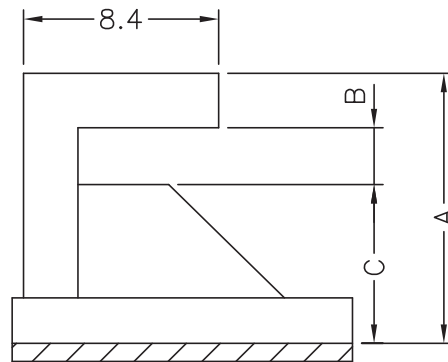
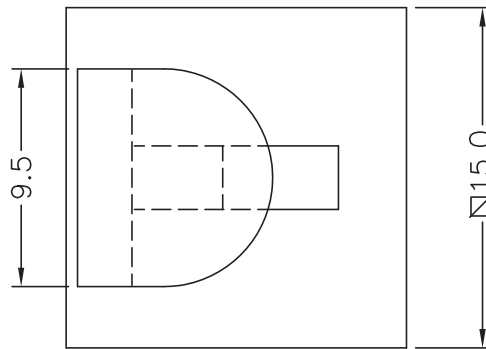


DIM.	TOL.
5mm DOWN	±0.2
5~20mm	±0.3
20~40mm	±0.4
40~60mm	±0.5
60 100mm	±0.8
100mm UP	±1.0

REVISIONS			
REV	DESCRIPTION	DATE	BY



3M DOUBLE ADHESIVE TAPE
(THICKNESS 1.1mm)

NOTE: The Height is not including the thickness of release paper

PART NO.	A	B	C
11441AA00AS05.1	10.4	2.6	5.1
11441AA00AS07.1	11.9	2.4	7.0
11441AA00AS09.1	14.1	2.5	9.1
11441AA00AS10.0	15.0	2.5	10.0
11441AA00AS11.1	16.1	2.5	11.1



TITLE SELF-ADHESIVE SPACER SUPPORT		MATERIAL PA66 V2 (UL94)		DATE 29/09/2017		
		COLOR NATURAL		DRAWN R.F.		
		PART NUMBER SEE TABLE		DRAWING NUMBER 17.09.29.11441.0.E		CHECK
SIZE A4	SCALE NTS	UNIT mm	REV A	UNLESS OTHERWISE SPECIFIED TOLERANCE SEE ABOVE		APPROVED